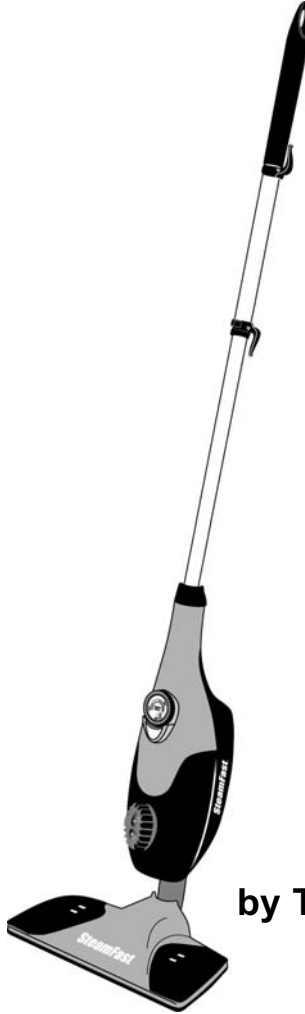


MODEL SF-292

**SteamFast**<sup>®</sup>

***Multi-Purpose Steamer***



by Top Innovations, Inc.

**Please read all instructions before use.  
Mail in your warranty registration card.**

**Dear Valued Customer,**

Congratulations on purchasing your new **SF-292 Multi-Purpose Steamer**. This unique product not only replaces the traditional mop and bucket as a simple and effective floor cleaning solution, but it conveniently doubles as a handheld steam cleaner / fabric steamer as well.

Turn on your **Multi-Purpose Steamer** and in less than a minute you are ready to clean your hard surface floors, without the mess and hassle of conventional mopping. Use it on all types of hard floors - tile, marble, linoleum, sealed hardwood and more. Then, when the job is done, the **Multi-Purpose Steamer** is quick and easy to store - no need to hassle with a dirty mop and sloppy water bucket.

Once you're finished with your floors, convert your **Multi-Purpose Steamer** to the handheld mode and use it to clean and freshen the rest of your home. Set the Steam Control Dial to "HIGH" and use hot steam to blast away grease and grime from tile & grout, grills, oven racks, and much more. Or, set it to "LOW" to gently refresh fabrics and smooth wrinkles without need for conventional ironing.

Additionally, using steam provides a variety of other unique benefits. It's natural and environmentally friendly, eliminating the need for potentially harmful cleaning chemicals. It also helps to reduce smoke and other unpleasant odors, rather than covering them up with artificial scents. Finally, it's ideal for refreshing upholstery and helping to reduce smoke and other unpleasant odors, making your carpet and furniture like new again.

Top Innovations, Inc. would like to invite you to visit our Customer Support Web site at:

**[www.SteamFast.com](http://www.SteamFast.com)**

On this Web site you will find additional information about many other exciting products that are available, helpful tips on ways in which you can utilize your **Multi-Purpose Steamer**, and other useful information to assist you in maximizing the power of steam!

Enjoy your new **SF-292 Multi-Purpose Steamer!**



Benny Lee  
Chairman and CEO  
Top Innovations, Inc.

# IMPORTANT SAFETY INSTRUCTIONS



**WARNING:** To reduce the risk of fire, electrical shock, or injury, the following basic safety precautions should always be followed when using an electrical appliance.

**WARNING:** To reduce the risk of electrical shock, this appliance has a grounded (three-pronged) plug. This plug will fit in a polarized wall outlet only one way. If the plug does not fit fully in the outlet, contact a licensed electrician to install a proper outlet. DO NOT attempt to modify the plug or defeat this safety feature.

## READ ALL INSTRUCTIONS BEFORE USE

---

### **DANGER**

Any appliance is electrically live even when switch is off. To reduce risk of electrical shock:

1. Always unplug power cord immediately after using.
2. Do not place or store unit where it can fall or be pulled into a sink or tub.
3. Do not place in, or drop into water or other liquid.
4. If unit falls into water, immediately unplug power cord. Do not reach into the water.

### **WARNING**

To reduce risk of burns, electrocution, fire, or injury to persons:

1. Use *Multi-Purpose Steamer* only for its intended purpose as indicated in this manual.
2. Before plugging power cord into electrical outlet, be sure that all electrical information on rating label agrees with your power supply.
3. To reduce likelihood of circuit overload, DO NOT operate another high wattage appliance on the same circuit as this unit.
4. To protect against risk of electrical shock, do not immerse unit in water or other liquids. Do not use power cord as handle, allow it to hang over edge of counters, or be crimped or closed in doors.
5. Steam Control Dial should always be set to “OFF” position before plugging or unplugging unit from outlet. Never yank power cord to disconnect from outlet; instead, grasp plug and pull to disconnect.
6. Do not operate unit with a damaged power cord or if the unit has been dropped or damaged. To avoid risk of electrical shock, do not disassemble unit; take it to a qualified service repair person for examination and repair. Incorrect reassembly can cause a risk of electrical shock when unit is used.
7. Close supervision is required for any appliance being used near children, pets and plants. Do not leave unit unattended while plugged in.

# IMPORTANT SAFETY INSTRUCTIONS

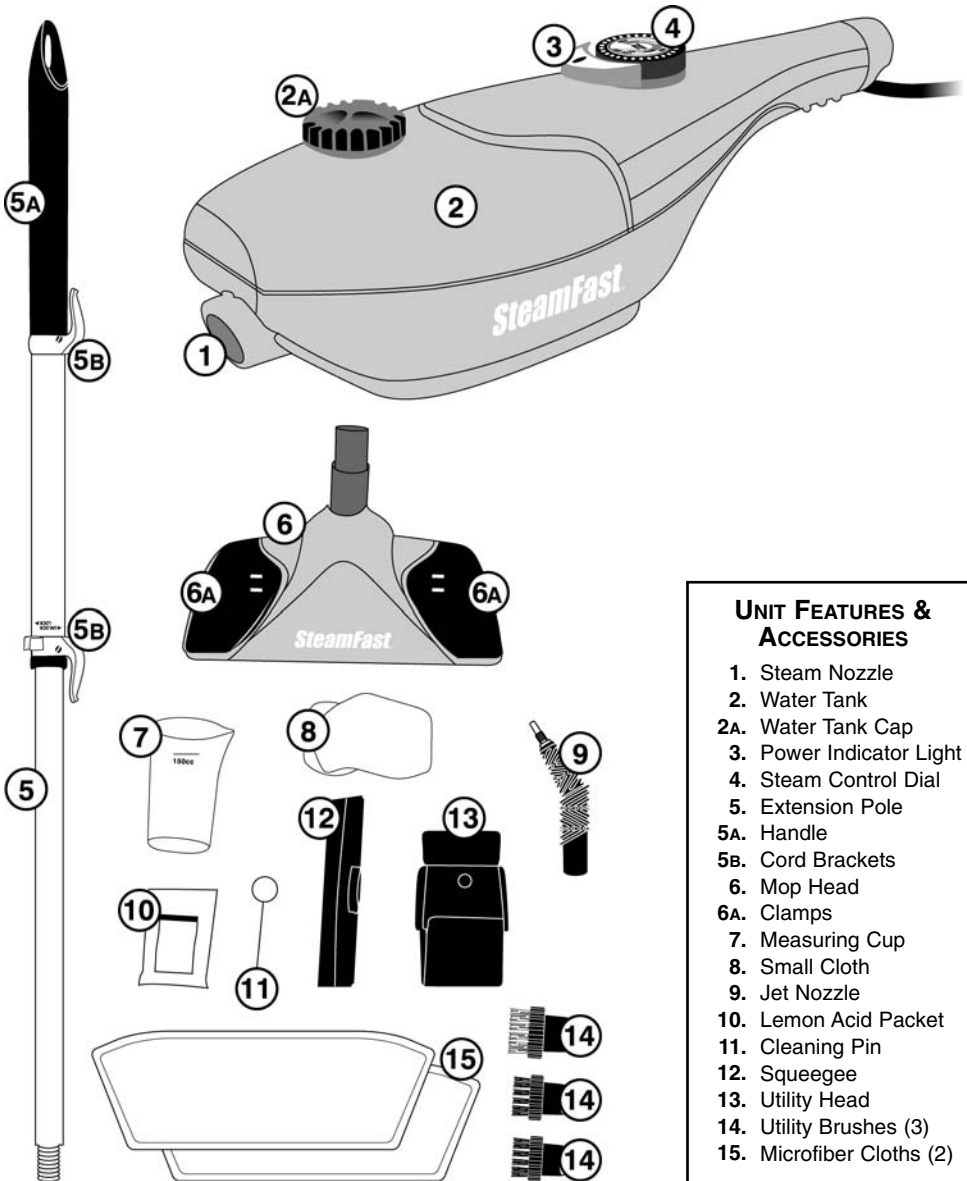
8. This unit is not intended for use by persons (including children) with reduced physical, sensory or mental capabilities, or lack of experience and knowledge, unless they have been given supervision or instruction concerning use of the unit by a person responsible for their safety.
9. If Power Indicator Light does not illuminate when Steam Control Dial is set to one of three steam intensity settings, unit is not operating normally. Immediately turn unit off and disconnect from power supply - have unit serviced by qualified service personnel.
10. Unplug power cord before filling Water Tank with water.
11. Do not use unit where aerosol-based products are being used, or where oxygen is being administered.
12. Unit is only meant to be used with recommended SF-292 accessories. Using other types of attachments may cause damage to unit or injury.
13. When filling Water Tank, only water should be used in unit - other cleaning agents could damage unit or cause injury. Distilled or de-mineralized water is highly recommended, in order to minimize potential build-up of mineral deposits. Do not overfill unit.
14. Do not attempt to use unit without properly filling Water Tank.
15. To reduce risk of contact with hot water emitting from Steam Nozzle, check appliance before each use by positioning it away from body and turning it on. Do not operate unit if Steam Nozzle is blocked.
16. Burns can occur from touching hot metal parts, hot water, or steam. Do not touch Steam Nozzle or attempt to connect accessories while unit is in use. Use caution when you turn unit upside-down - there may be hot water in unit.
17. When steaming any item for the first time, it is recommended that you consult the manufacturer's guidelines for material being steamed. For items in question, test on an inconspicuous area before proceeding.
18. Steaming unsealed floor surfaces such as hardwood is not recommended, and may result in warping or damage to the surface.
19. Do not allow power cord to touch hot surfaces during use. Wrap cord loosely around Cord Brackets when storing.
20. Always allow *Multi-Purpose Steamer* to cool completely (at least 30 minutes) and empty Water Tank before storing.

**SAVE THESE INSTRUCTIONS!**  
FOR HOUSEHOLD USE ONLY

# PRODUCT INFORMATION

# SteamFast

The following features and accessories are included with your *Multi-Purpose Steamer*. Carefully inspect Styrofoam packing material for all parts listed below. To obtain possible missing parts, refer to the **Customer Support** section on Page 18 of this manual.



## UNIT FEATURES & ACCESSORIES

1. Steam Nozzle
2. Water Tank
- 2A. Water Tank Cap
3. Power Indicator Light
4. Steam Control Dial
5. Extension Pole
- 5A. Handle
- 5B. Cord Brackets
6. Mop Head
- 6A. Clamps
7. Measuring Cup
8. Small Cloth
9. Jet Nozzle
10. Lemon Acid Packet
11. Cleaning Pin
12. Squeegee
13. Utility Head
14. Utility Brushes (3)
15. Microfiber Cloths (2)

- The *Steam Nozzle* (1) emits a flow of hot, penetrating steam. The *Mop Head*, *Jet Nozzle* and *Utility Head* all connect to the *Steam Nozzle*.
- The *Water Tank* (2) is the reservoir where water is held before being transferred to the boiler and converted to steam. The *Water Tank* holds 15 oz. (444 ml.) of water.
- The *Water Tank Cap* (2A) covers the *Water Tank* fill hole, and must be removed in order to fill the *Water Tank* with water.
- The *Power Indicator Light* (3) illuminates when the *Steam Control Dial* is set to any of the three steam intensity settings, to indicate that the unit is powered on and heating.
- The *Steam Control Dial* (4) turns the unit on and off, and is used to set the desired steam intensity (chosen from three available setting options - LOW, MED & HIGH).
- The *Extension Pole* (5) connects to the main body of the steamer, and is designed for convenient use on floors, windows, ceilings, and other out-of-reach surfaces.
- The *Handle* (5A) provides a comfortable grip when using the *Extension Pole*.
- The *Cord Brackets* (5B) provide a safe and convenient way to store the power cord when not in use.
- The *Mop Head* (6) connects to the *Steam Nozzle*, for steam cleaning a variety of hard surface floors.

**NOTE: It is not recommended that this unit be used on unsealed floors. Use care when steaming floors that may be warped or damaged by heat and moisture, and limit use of this unit on these types of surfaces.**

- The *Clamps* (6A) are used to connect the *Microfiber Cloths* to the *Mop Head*.
- The *Measuring Cup* (7) aids in easily filling the *Water Tank* with water.
- The *Small Cloth* (8) fits on the *Utility Head*, absorbing excess moisture and preventing water spotting on delicate fabrics. This enables the unit to function effectively as a fabric steamer.
- The *Jet Nozzle* (9) connects to the *Steam Nozzle*, and is designed to focus the flow of steam for concentrated cleaning.
- The *Lemon Acid Packet* (10) is mixed with water and run through the unit in order to clean mineral deposits that may build up inside the boiler.
- The *Cleaning Pin* (11) is used to remove mineral deposits that may form in the opening of the *Steam Nozzle* and the attachments.
- The *Squeegee* (12) connects to the *Utility Head*, and is used for cleaning windows, mirrors, and other smooth surfaces.
- The *Utility Head* (13) connects to the *Steam Nozzle*, and serves as an adapter for connecting both the *Squeegee* and *Small Cloth*.
- The 3 *Utility Brushes* (14) connect to the *Jet Nozzle*, and are designed for scrubbing tough stains. There is a soft-bristled brush for scrubbing delicate items (such as children's toys), a firm-bristled brush for general scrubbing (such as carpet), and a brass-bristled brush for scrubbing metal surfaces (such as oven and grill racks).

**NOTE: Some delicate surfaces, such as stainless steel, may be scratched or damaged by the brass bristles. Use careful judgement when deciding what surface to clean with the brass Utility Brush. If you are unsure if a surface will be damaged, it is recommended that you test a small inconspicuous spot before proceeding.**

- The 2 *Microfiber Cloths* (15) clip to the *Mop Head* and are designed to clean scuffs and stains from hard surface floors. The *Microfiber Cloths* are reusable and machine washable.

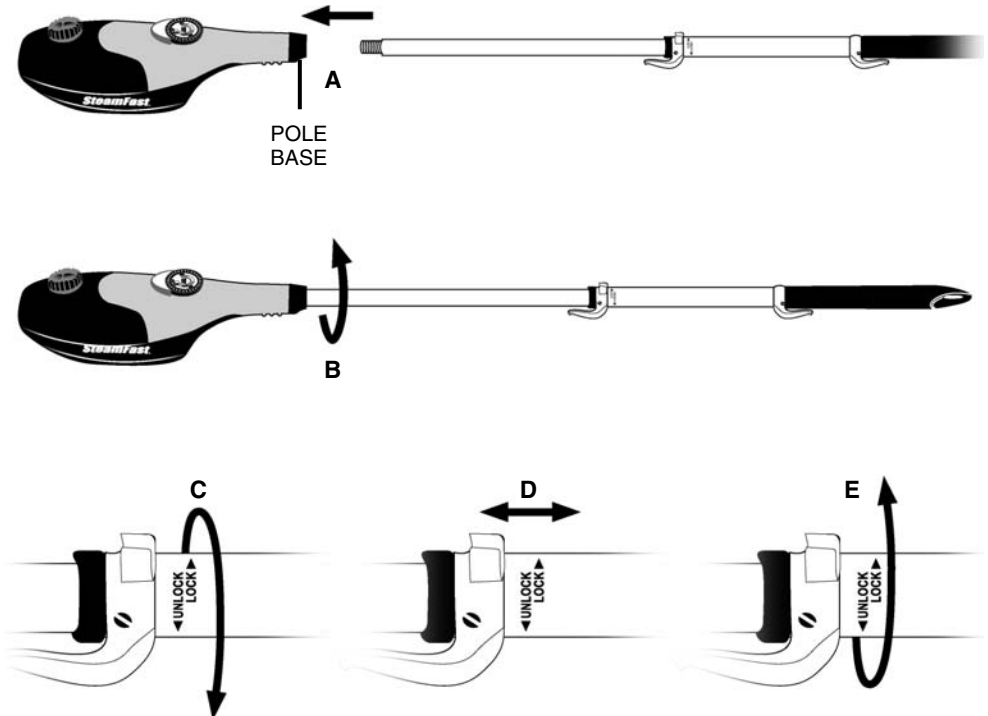
**NOTE: Microfiber Cloths are not designed to absorb and collect dirt. For best results, it is recommended to vacuum floor before mopping.**

# ASSEMBLING THE MULTI-PURPOSE STEAMER

**SteamFast**

## EXTENSION POLE

1. Insert threaded connector on bottom of Extension Pole into pole base on main unit (FIGURE 1-A).
2. Rotate Extension Pole in a clockwise direction as shown to screw it into pole base (FIGURE 1-B). Make sure Pole is tightly secured to main unit.
3. To adjust length of Extension Pole:
  - 1) Rotate thicker top section of Extension Pole (with Handle) in “UNLOCK” direction indicated on label to unlock it (FIGURE 1-C).
  - 2) Adjust top section to desired length (FIGURE 1-D).
  - 3) Rotate top section of Extension Pole in “LOCK” direction indicated on label to lock it back in place (FIGURE 1-E).



**FIGURE 1**

### MOP HEAD

1. Align Mop Head with main unit as shown (FIGURE 2), so that neck is in line with Steam Nozzle.
2. Slide Mop Head neck into Steam Nozzle, pressing firmly until release button snaps through hole.
3. To remove Mop Head, press firmly on release button while simultaneously pulling Mop Head away from Steam Nozzle.

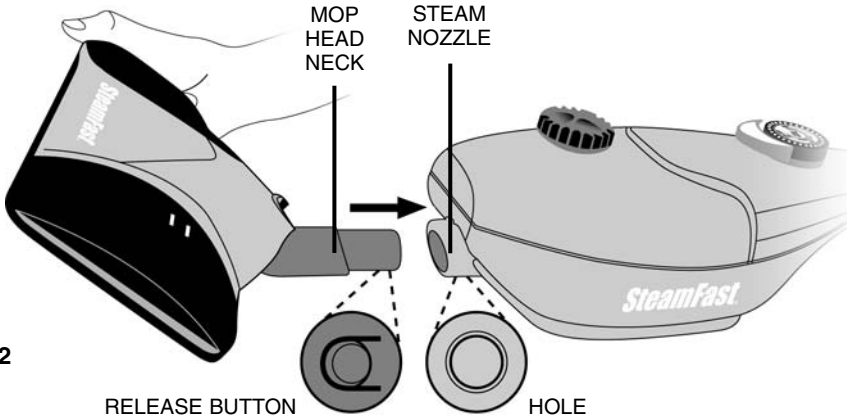


FIGURE 2

### JET NOZZLE

**CAUTION: Metal tip of Jet Nozzle becomes hot during use. Do not touch tip to avoid burns.**

1. Align Jet Nozzle with Steam Nozzle as shown (FIGURE 3).
2. Slide Jet Nozzle into Steam Nozzle, pressing firmly until release button snaps through hole.
3. To remove Jet Nozzle, press firmly on release button while simultaneously pulling Jet Nozzle away from Steam Nozzle.

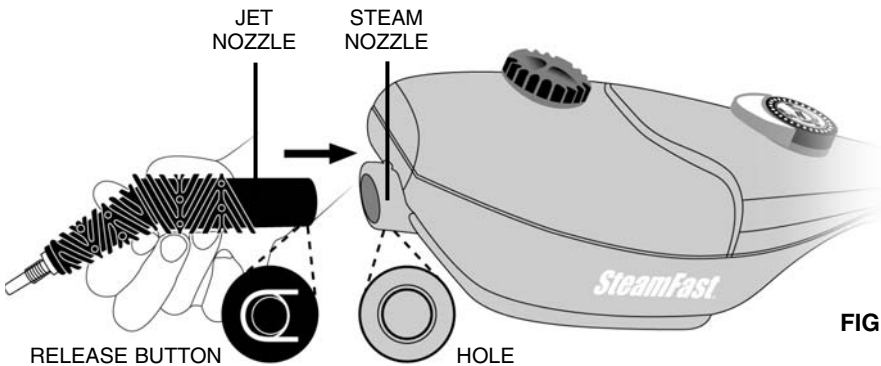


FIGURE 3



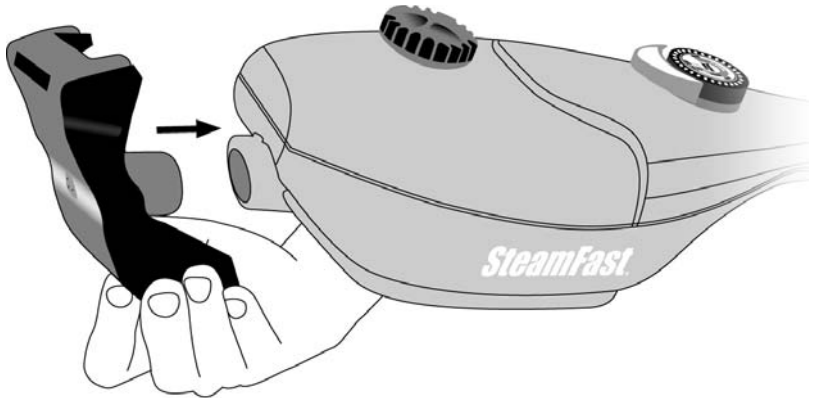
# ASSEMBLING THE MULTI-PURPOSE STEAMER

**SteamFast**

## UTILITY HEAD

1. Align Utility Head with Steam Nozzle as shown (FIGURE 4).
2. Slide Utility Head into Steam Nozzle, pressing firmly until it slides all the way in.
3. To remove Utility Head, simply grasp it and pull it away from Steam Nozzle.

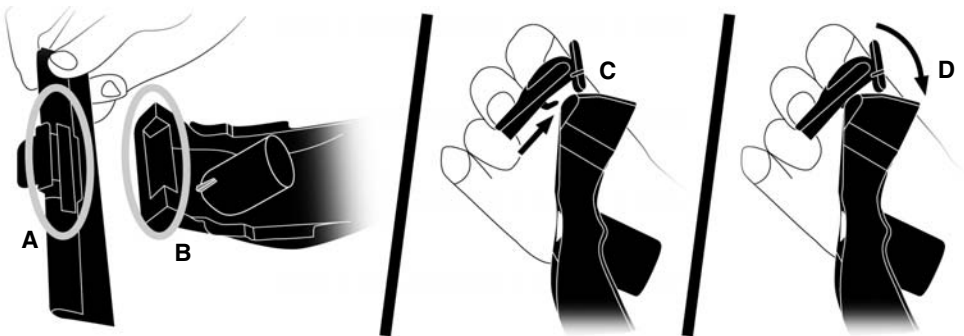
**NOTE:** The Utility Head does not utilize a release button like the Mop Head and Jet Nozzle.



**FIGURE 4**

## SQUEEGEE

1. Note tabs on Squeegee (FIGURE 5-A), which fit into slots on top of Utility Head (FIGURE 5-B).
2. Insert front Squeegee tab into front Utility Head slot (FIGURE 5-C).
3. Tilt Squeegee back as shown (FIGURE 5-D) and press firmly until rear tab fits into rear Utility Head slot. Squeegee should snap securely into place.



**FIGURE 5**

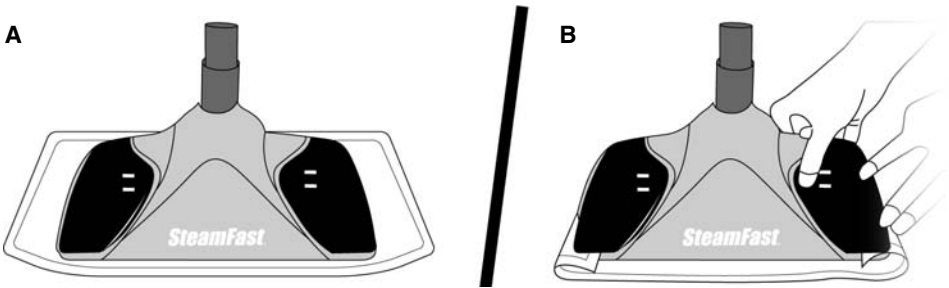
**UTILITY BRUSHES**

**CAUTION:** Metal tip of Jet Nozzle becomes hot during use. Allow Jet Nozzle to cool for at least 5 minutes before attempting to connect/disconnect a Utility Brush.

1. Align Utility Brush with tip of Jet Nozzle as shown (FIGURE 6-A), and press it firmly on as far as it will go. Rotate Utility Brush as shown to screw it onto Jet Nozzle (FIGURE 6-B) - continue until it is secured tightly in place.

**FIGURE 6****MICROFIBER CLOTHS**

1. Lay a Microfiber Cloth on floor - soft Microfiber side should be face-down. Place Mop Head on top of Cloth as shown (FIGURE 7-A).
2. Locate two large Clamps on top of Mop Head. Push down on one Clamp as shown to open it, then tuck the Microfiber Cloth underneath. Repeat for second Clamp to secure Microfiber Cloth to Mop Head (FIGURE 7-B).

**FIGURE 7****SMALL CLOTH**

1. Stretch Small Cloth around Utility Head as shown (FIGURE 8). Four seams in Cloth should align with four corners of Utility Head.
2. Connect Utility Head to Steam Nozzle as usual (refer to Page 9 for details).

**FIGURE 8**

# USING THE MULTI-PURPOSE STEAMER

**SteamFast**

## FILLING WATER TANK

**NOTE: Do not remove or cut small rubber air valve on top of Water Tank Cap (FIGURE 9-A). Do not turn unit upside-down when Water Tank is full - some water may leak through air valve.**

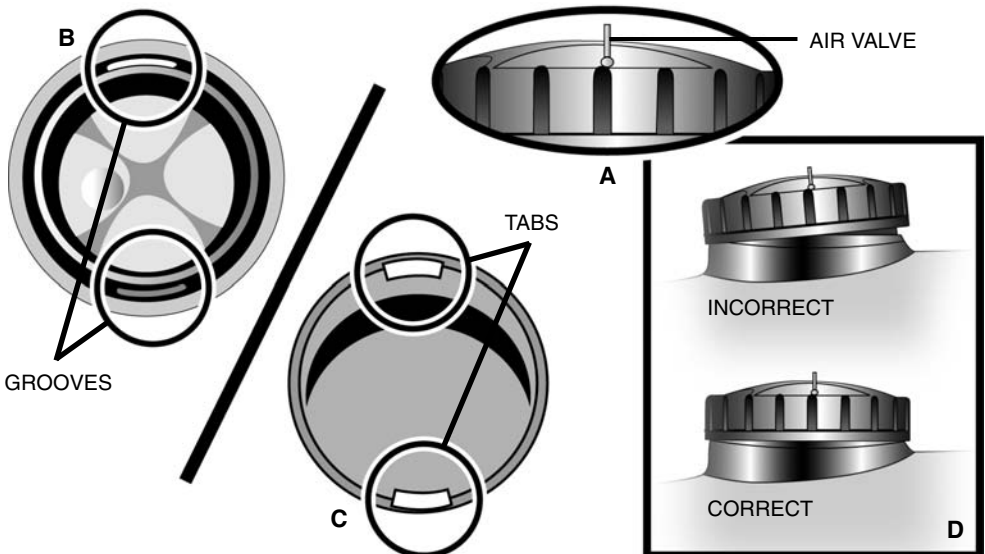
1. Make sure Steam Control Dial is set to "OFF" position.
2. Rotate Water Tank Cap one quarter turn in "Unlock" direction (counter-clockwise) indicated by illustration on Cap, and remove.
3. Carefully fill Measuring Cup with maximum amount of water (5 oz. / 150 ml.) and pour into Water Tank through fill hole. Repeat up to two more times to fill Water Tank to maximum capacity (Tank holds a maximum of 15 oz. / 450 ml. of water).

**NOTE: In order to significantly reduce mineral build-up and prolong the life of your Multi-Purpose Steamer, use of distilled or de-mineralized water in the unit is highly recommended. Refer to Page 16 for more information about mineral build-up.**

4. Replace Water Tank Cap so that thread grooves on bottom of Cap (FIGURE 9-B) align with tabs inside fill hole (FIGURE 9-C). Press Water Tank Cap down so that it sits flush with top of fill hole (FIGURE 9-D). Rotate one quarter turn in clockwise direction (as indicated by "Lock" illustration on Cap) to lock it in place.

**NOTE: The tube which transfers water from the Water Tank to the boiler is weighted down with a brass ball. This is an intentional design to improve efficiency of water usage. It is normal for this ball to create a rattling sound inside of Water Tank during use.**

**If you think brass ball has come loose from tube, refer to Troubleshooting Guide on Page 17 for directions to reconnect it.**



**FIGURE 9**

### OPERATING THE *MULTI-PURPOSE STEAMER*

#### GENERAL

**NOTE:** Be sure that Water Tank has been filled and all desired accessories are connected before following these steps.

1. For first-time use, remove protective plastic cover that is shipped on electrical plug. Plug power cord into a convenient electrical outlet.
2. Turn Steam Control Dial clockwise from “OFF” position to desired steam setting (FIGURE 10). Power Indicator Light will immediately illuminate to indicate that unit is powered on and heating.

**NOTE:** Steam settings are broken down by intensity (LOW, MED & HIGH) as well as function (MOP, FABRIC & CLEANING). Refer to Page 14 for more information about selecting steam settings.

3. After approximately 30 seconds, you will hear a buzzing sound as unit begins to emit steam.
4. Direct Steam Nozzle (with any connected accessories) towards surface you wish to steam. Refer to **Steam Mopping** section below, as well as **Steam Cleaning** and **Fabric Steaming** sections on Page 13, for further details.

**CAUTION:** Always be sure that Steam Nozzle and any accessories are pointed in a safe direction (away from yourself, other people, pets and plants) when steam is being emitted.

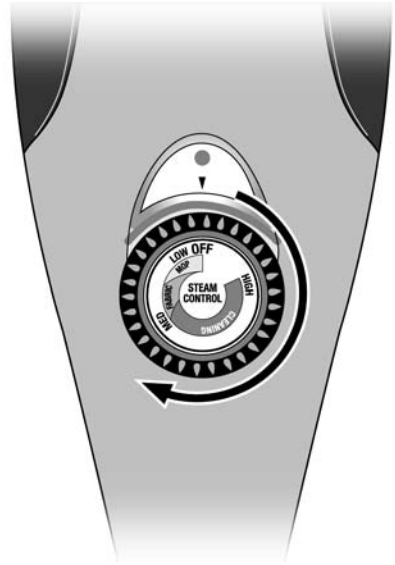


FIGURE 10

#### STEAM MOPPING (LOW)

**NOTE:** It is recommended to vacuum floors before mopping in order to remove dust and dirt particles.

- Make sure Extension Pole, Mop Head and Microfiber Cloth are all properly connected. Refer to Pages 7, 8 & 10 for details.
- Follow **General** operating instructions above to begin steaming. For best results, set unit within **MOP** range as indicated on Steam Control Dial.
- Use a steady back-and-forth motion over the floor, pushing Mop away and pulling it back towards you. Work your way backwards over the floor, in order to avoid walking over the freshly mopped area.
- The Microfiber Cloth will absorb moisture during mopping. However, depending on floor surface and steam intensity setting, some residual moisture may be left behind. In this case, it is recommended to allow floor time to air-dry. A fan may be directed towards mopped area to facilitate drying.

**NOTE:** To avoid warping or damage caused by heat and moisture, the *Multi-Purpose Steamer* should only be used on properly sealed floor surfaces.

- Due to large size of the Mop Head, it may have difficulty completely cleaning certain types of floors (such as ceramic tile) that include crevices of grouting. To more thoroughly clean floor grout, it is recommended to use *Multi-Purpose Steamer* in steam cleaning mode. Refer to **Steam Cleaning** section on Page 13 for details.

# USING THE MULTI-PURPOSE STEAMER

**SteamFast**

## OPERATING THE *MULTI-PURPOSE STEAMER*

### FABRIC STEAMING (LOW–MED)

**NOTE: To minimize water spotting, the LOW setting is recommended for most garments and fabrics. The MED end of the FABRIC range should only be used for very heavy fabrics.**

- Make sure desired steaming accessories (Utility Head with Small Cloth) are properly connected. Refer to Pages 9 & 10 for details.
- For general steaming convenience, Extension Pole should be removed so that unit functions as a handheld fabric steamer. However, Pole may be attached for cleaning hard-to-reach spots, such as high curtains. **BE CAREFUL TO SUPPORT POLE WITH TWO HANDS WHEN LIFTING.**
- Follow **General** operating instructions on Page 12 to begin steaming. For most fabrics, set unit to LOW end of **FABRIC** range as indicated on Steam Control Dial. **The MED end of the FABRIC range is recommended only for very heavy fabrics.**

**IMPORTANT: When set to MED, the unit may begin to drip a small amount of water. In order to minimize water spotting on fabrics, set Steam Control Dial back to LOW.**

- For fabrics and linens, direct Utility Head towards material you wish to steam, and keep the flow of steam focused there. Using a slight back-and-forth motion over the area you are steaming will further enhance the steaming process.
- For garments:
  - Hang garment from a clean, rust-free hanger.
  - Direct Utility Head towards bottom of garment. Steam will rise along inside and outside of material, removing wrinkles. Slowly slide Utility Head upward from bottom to top of garment.
  - Direct Utility Head away from garment and smooth material with your free hand.
  - Repeat as necessary until garment is fresh and wrinkle-free.
- General steaming tips:
  - Curtains and draperies can be steamed while still hanging.
  - To remove wrinkles from towels, handkerchiefs and napkins, drape them over a rod or towel rack and gently steam them.
  - Heavier fabrics may require repeated steaming to achieve desired results.
  - To remove exceptionally stubborn wrinkles, steam both sides of fabric.
  - Be especially careful when steaming delicate fabrics and those likely to be damaged by water spotting.

### STEAM CLEANING (MED–HIGH)

- Make sure desired cleaning accessories (Jet Nozzle, Utility Brush, Utility Head with Squeegee) are properly connected. Refer to Pages 8, 9 & 10 for details.
- For general cleaning convenience, Extension Pole should be removed so that unit functions as a handheld steam cleaner. However, Pole may be attached for cleaning hard-to-reach spots, such as floor grout or ceilings. **BE CAREFUL TO SUPPORT POLE WITH TWO HANDS WHEN LIFTING.**
- Follow **General** operating instructions on Page 12 to begin steaming. For best results, set unit within **CLEANING** range as indicated on Steam Control Dial.
- Direct Jet Nozzle towards surface you wish to steam. Use a slight back-and-forth motion over area to enhance the cleaning process. To sanitize surfaces, set Steam Control Dial to HIGH and hold Jet Nozzle approximately 1/2 inch from surface for at least 5 seconds. This will most effectively kill germs and bacteria.
- When using Squeegee, start by thoroughly steaming entire window or mirror, then turn steam off. Next, press Squeegee to top of window or mirror, and pull slowly downward. Move slowly from one side of the surface to the other in this fashion until entire surface is clean.
- Wipe steamed areas with a clean cloth to remove loosened dirt and grime. Wiping the area while it is still wet is recommended, but use caution when wiping surfaces such as metal that may still be hot.

**STEAM SETTINGS & FUNCTIONS**

Below is a general listing of just some of the possible uses for the *Multi-Purpose Steamer*, separated by function & intensity settings of the Steam Control Dial. These are only meant to provide some general guidelines for using your steamer; you will likely discover a wide variety of other uses around your home. Refer to General Steaming Tips section on Page 15 for more ideas on utilizing the power of steam.

If you still have questions, please visit [www.SteamFast.com](http://www.SteamFast.com), or contact our Customer Service Department directly by telephone at **(800) 711-6617** or **(816) 584-9700**, ext. **130** or **131**, or by fax at **(816) 584-9066**.

<p><b>STEAM MOPPING (LOW)</b></p>	<ul style="list-style-type: none"> <li>• Recommended floor types:               <ul style="list-style-type: none"> <li>- Sealed hardwood &amp; laminate</li> <li>- Linoleum</li> <li>- Ceramic</li> <li>- Granite</li> <li>- Marble</li> <li>- Vinyl</li> <li>- Tile</li> </ul> </li> </ul>
<p><b>FABRIC STEAMING (LOW-MED)</b></p>	<ul style="list-style-type: none"> <li>• LOW               <ul style="list-style-type: none"> <li>- Most fabrics</li> <li>- Garments (nylon, wool, silk)</li> <li>- Upholstery</li> </ul> </li> <li>• MED               <ul style="list-style-type: none"> <li>- Very heavy fabrics</li> <li>- Heavy curtains / drapes</li> </ul> </li> </ul>
<p><b>STEAM CLEANING (MED-HIGH)</b></p>	<ul style="list-style-type: none"> <li>• MED               <ul style="list-style-type: none"> <li>- Carpet</li> <li>- Windows / mirrors</li> <li>- Toys / jewelry</li> </ul> </li> <li>• HIGH               <ul style="list-style-type: none"> <li>- Kitchen / bath fixtures</li> <li>- Ceramic tile / grout</li> <li>- Ovens / BBQ grills</li> <li>- Stovetops / countertops</li> <li>- Tough stains</li> </ul> </li> </ul>

**NOTE: When steaming, it is best to use the lowest possible Steam Control Dial setting that completes the task while remaining easy and convenient. Start with lower settings and increase only if needed to quickly and easily accomplish the required cleaning task.**

**Higher steam setting increase the amount of moisture being emitted with the steam.**

## USING THE MULTI-PURPOSE STEAMER

**SteamFast**

### GENERAL STEAMING TIPS

You will find nearly limitless uses for your *Multi-Purpose Steamer*. There are no rules when it comes to steam cleaning and/or the attachments you received with your unit. Use whichever attachment seems to accomplish the intended job quickly and easily. Below are a few guidelines for starting out:

- Many surfaces only require to be sprayed with the Jet Nozzle to clean and disinfect them, then wiped with a clean dry cloth, towel, or paper towel.  
**EX: kitchen counters, microwaves, stove tops, bathroom sinks, kitchen and bath fixtures**
- The nylon Utility Brushes can be used on most surfaces for hard-to-remove dirt, grime spots or stains.  
**EX: baked on food on ovens and oven doors, baked on stovetop spills, bath and/or kitchen grease and grime, rubber seal on the refrigerator, under/around bath and kitchen fixtures, bath tile seams, grouting**
- The nylon Utility Brushes are also very effective in removing spots and stains from clothing and upholstery. This can be done with steam alone or with a stain remover designed for your specific use. **DO NOT** put any type of chemical or liquid product in your steamer however; only water is to be used in the unit.
- The Mop Head with Microfiber Cloth is designed primarily for use on floors, including linoleum, tile, marble, stone and more. However, it can also be used on upholstery, depending on the type of fabric being cleaned.
- When dried, some stains (whether on carpet or other surfaces) may require a bit of extra scrubbing with one of the Utility Brushes and/or a product designed for stain removal. It is helpful on carpet and cloth surfaces to blot with a clean dry towel to help remove the spot/stain.
- The brass Utility Brush is useful for heavy duty jobs such as your BBQ grill, oven rack, tire wheels, etc. **DO NOT** use this brush on anything that the hard brush bristles might scratch or damage.
- The Extension Pole should be attached for mopping floors, but is also useful for reaching overhead or otherwise hard-to-reach places. When raising unit to reach high places, it is best to grasp Pole with both hands for better support.

This should help to get you started with your new *Multi-Purpose Steamer*. As you use your steamer, you will find what works best for you and your cleaning projects. Should you have any questions on how to best utilize your new steamer, please feel free to contact our Customer Support Department at **(800) 711-6617** or **(816) 584-9700**, ext. **130** or **131** or [customerservice@topinnovations.com](mailto:customerservice@topinnovations.com).

## PROPER STORAGE

Preparing your *Multi-Purpose Steamer* for storage is quick and simple. When you have finished your steaming tasks, follow the steps listed below.

1. Unplug power cord from electrical outlet.
2. Allow unit time to cool (at least 5 minutes).
3. Remove all accessories from unit.
4. Remove Water Tank Cap and drain any remaining water from Water Tank into a sink or tub to minimize potential mineral build-up. Replace Water Tank Cap when done.
5. Collapse Extension Pole to shortest length (if storage space is limited), and wrap power cord around Cord Brackets.
6. Store *Multi-Purpose Steamer* in a cool, dry location, along with all attachments.

## REMOVING MINERAL BUILD-UP

A common maintenance need for steam appliances is the removal of build-up caused by high mineral content in many municipal water supplies. This mineral build-up may limit the effectiveness and reduce the life of your *Multi-Purpose Steamer*.

**The best way to minimize mineral build-up is to use distilled or de-mineralized water when using your *Multi-Purpose Steamer*.** In addition, it is recommended that the cleaning procedure below be followed at least once a month in order to remove any deposits that form. This will help to extend the life of your *Multi-Purpose Steamer* and keep it functioning at its maximum potential.

1. Follow **STEPS 1-4** under **Proper Storage** section above. However, do not replace Water Tank Cap at the end of **STEP 4**.
2. Insert tip of Cleaning Pin into opening of Steam Nozzle to remove mineral build-up in nozzle. This may also be done to clean accessories such as the Jet Nozzle.
3. Fill included Measuring Cup with 3.5 oz. (100 ml.) distilled water, and mix in Lemon Acid Packet. Stir thoroughly to ensure lemon acid is completely dissolved.

If no Lemon Acid Packet is available, use Measuring Cup to make a mixture of approximately 3.5 oz. (100 ml.) distilled water and 1.5 oz. (50 ml.) vinegar. **Additional Lemon Acid Packets may be obtained by visiting [www.SteamFast.com](http://www.SteamFast.com) or calling (800) 711-6617.**

4. Slowly pour lemon-acid or water-vinegar solution into Water Tank through fill hole, then replace Water Tank Cap.
5. Plug in power cord, set Steam Control Dial to HIGH, and spray full contents of Water Tank into a sink or tub.
6. Once Water Tank is drained, turn unit off and refill Tank with 15 oz. (450 ml.) of fresh distilled water. Set Steam Control Dial back to HIGH and repeat **STEP 5**. If you used a water-vinegar solution, you may need to repeat this until vinegar odor dissipates.
7. Replace Water Tank Cap, unplug power cord, and store *Multi-Purpose Steamer* as usual.

**IMPORTANT: On average, it is recommended that you follow the Removing Mineral Build-Up procedure once per month (if unit is used once every week). More frequent use may require following the procedure more often in order to keep your *Multi-Purpose Steamer* operating at full potential. Do not exceed 20 hours of use without cleaning out mineral build-up.**



# TROUBLESHOOTING GUIDE

**SteamFast**

PROBLEM	POSSIBLE CAUSE	SOLUTION
Unit fails to heat up. Power Indicator Light <b>does not</b> illuminate.	Unit is not plugged in.	Plug electrical cord into outlet.
	Household circuit breaker / ground fault interrupter has tripped or blown a fuse.	Reset circuit breaker / ground fault interrupter, or replace fuse. If you need assistance, contact a licensed electrician.
Unit heats up, but fails to steam. Power Indicator Light <b>does</b> illuminate.  (NOTE: Always allow proper time for unit to heat up and begin producing steam.)	Water Tank is empty.	Refill Water Tank using procedures on Page 11 of this manual.
	Mineral build-up in unit.	Refer to <b>Removing Mineral Build-Up</b> section on Page 16 of this manual for removal procedure.
	Weighted brass ball connected to end of water tube inside Water Tank may have come loose.	If brass ball has become disconnected from tube, simply reattach it by snapping it back onto black nozzle at end of tube.
Steam output is weak or intermittent.	Steam Control Dial is set to LOW.	Increasing the setting of the Steam Control Dial to MEDIUM or HIGH will result in a stronger (and wetter) flow of steam. Refer to Pages 12 & 14 of this manual for more information.
	Mineral build-up in unit.	Refer to <b>Removing Mineral Build-Up</b> section on Page 16 of this manual for removal procedure.
Unit is emitting water in the steam flow.	Steam Control Dial is set to HIGH.	At the HIGH setting, small amounts of water may be released along with the steam. Decreasing the setting of the Steam Control Dial to MEDIUM or LOW will reduce this water spotting.
Rattling sound is heard coming from Water Tank.	Sound is being caused by weighted brass ball connected to end of water tube inside Tank.	The weighted brass ball is an intentional design that helps the unit more efficiently utilize all water inside of Tank.  If brass ball has become disconnected from tube, simply reattach it by sliding it back onto end of tube.

**CUSTOMER SUPPORT**

For problems with your *Multi-Purpose Steamer*, please refer to the troubleshooting guide located on Page 17. Additional inquiries should be directed to our Customer Support services through our Web site, [www.SteamFast.com](http://www.SteamFast.com), on the *Contact Us* Web page.

If you do not have internet access, you may also contact our Customer Support Department by telephone, at **1-800-711-6617** or **1-816-584-9700**, ext. **130** or **131**.

**NOTE: In order for our customer service representatives to help you as quickly and efficiently as possible, please have the following information ready before calling:**

- Purchase information (where and when you purchased this product)
- Copy of purchase receipt / proof of purchase
- Product Serial Number

---

**PRODUCT SERIAL NUMBER**

For your convenience, space has been provided below for you to record the serial number of your unit (located on the back or bottom of the unit) for easy reference when contacting our Customer Service Department.

\_\_\_\_\_ - \_\_\_\_\_

**PRODUCT SPECIFICATIONS**

**VOLTAGE:** 120V

**WATTAGE:** 1300W

**AMPERAGE:** 11A

**WATER CAPACITY:** 15 OZ. (450 ML.)

**HEATING TIME:** 30 SEC. (APPROXIMATE)

**CONTINUOUS STEAM TIME:** 7 MIN. (HIGH) / 11 MIN. (MED) / 25 MIN. (LOW)

**UNIT WEIGHT:** 3.5 LBS. (1.6 KG.)

**UNIT DIMENSIONS (LxWxH):** 53.1" (135.0 CM) x 10.6" (27.0 CM) x 4.5" (11.5 CM)

## WARRANTY INFORMATION

**SteamFast**

**Before returning a product for any reason, you must call or e-mail Top Innovations Warranty Service at (800) 711-6617 or [customerservice@topinnovations.com](mailto:customerservice@topinnovations.com) and obtain a Return Authorization Number.**

### **30-DAY MONEY BACK POLICY**

If this item does not meet your expectations, it may be returned within 30 days of the date of purchase for either a replacement or full refund of the purchase price less any shipping charges. In some circumstances, an additional restocking fee will apply.

### **ONE YEAR LIMITED WARRANTY**

(If outside USA, additional shipping charges may apply)

Top Innovations, Inc., warrants this product to be free from defects in material and workmanship for a period of one (1) year from the date of purchase. This warranty does not cover damage caused by misuse, negligence, use by improper current or voltage, commercial use, use contrary to operating instructions or disassembly, repair or alteration by any person other than Top Innovations, Inc. Warranty Service Department.

Top Innovations, Inc., will repair or replace at its option. This warranty gives you specific legal rights and may have other rights, which may vary from state to state.

Should there be any missing or defective parts or accessories, please contact Customer Support. In most cases, it is not necessary to return the entire unit. We can ship most replacement parts directly to your home.

Upon expiration of your one (1) year limited warranty, you will be advised of the cost of repair before any servicing is done. **You must have a Return Authorization Number.** For non-warranty service, please enclose a check for the amount required. Or, you may pay by money order, Visa, MasterCard, AmEx or Discover credit card.

If you need to request warranty service, or have any questions about coverage under this warranty, please visit the Warranty Service Request page on our Web site, [www.SteamFast.com](http://www.SteamFast.com). You may also email [customerservice@topinnovations.com](mailto:customerservice@topinnovations.com), or phone (800) 711-6617, ext 130 or 131.

Please have your product serial number ready before contacting Warranty Service Department. The serial number is located on the back or bottom of your unit.

Performance of any obligation of this Warranty, or 30-Day Money Back Policy, may be obtained by:

1. Call (800) 711-6617 or e-mail [customerservice@topinnovations.com](mailto:customerservice@topinnovations.com) for a Return Authorization Number before returning your unit. Failure to obtain a Return Authorization Number will cause a delay in service.
2. Include a copy of purchase receipt.
3. Box the item securely, in its original packaging if available. Include original packing materials and accessories unless advised otherwise by a Customer Service agent.
4. Include your name, address, telephone number, and Return Authorization Number on returned package.

Send unit postage/freight-prepaid (Top Innovations does not accept "collect" or COD returns) to:

**Top Innovations, Inc.  
Warranty Service Department  
6655 Troost Ave.  
Kansas City, MO 64131**

Call Top Innovations, Inc., Customer Service at (800) 711-6617, or (816) 584-9700 if you have any questions about the procedures described above.

# ***SteamFast***<sup>®</sup>

## **Top Innovations, Inc.**

6655 Troost Ave. • Kansas City, MO 64131

TEL: (800) 711-6617 / (816) 584-9700

FAX: (816) 584-9066

***www.SteamFast.com***

*customerservice@topinnovations.com*



PRINTED IN CHINA