

Integrated icemaker for foodservice applications



Features

Integrated ice machine with bin. Up to 425 lb (193 kg) of production and 90 lb (41 kg) of storage capacity. Perfect for space limited facilities. Less than 24.00" (61.0 cm) wide, the integrated icemaker will provide the capacity you need in a small footprint.

Undercounter application without the legs: 33.00" (83.8 cm) tall unit will fit under standard counters. Teflon glides allow it to slide easily into place.

Freestanding: 39.00" (99.1 cm) tall with legs.

Consumer-preferred Micro Chewblet ice (also available as a flaker)

- preferred over cubes by more than 2:1*
- easy to chew
- slow melting, maintains drink temperature and quality, comparable to cubes
- higher displacement than cube ice

Flake ice is perfect for display

- securely supports salad bar containers without tipping
- cradles fish and vegetables without bruising

High performance Maestro Plus ice machines

- stainless steel evaporator, auger and top bearing provides durability
- oversized, heavy duty, tapered roller bearing ensures long low-maintenance life
- semi-automatic cleaning cycle reduces maintenance costs
- regular flushing improves ice quality and reduces scale

Lower utility bills

- energy-efficient, no costly defrost cycles
- 25% less energy than comparable capacity cube machines
- 40% less water than comparable capacity cube machines

Designed for easy installation and service

- front ventilated - no side, top or back clearance required
- rear utility access allows for rear electrical and plumbing connection with no rear clearance required
- bin and shroud may be removed for service and maintenance

Warranty

- 3 years parts and labor, 5 years compressor parts

* Consumer study conducted by independent agency Roper ASW.

Ice Production	Ice type	V/Hz/Ph	Item number
425 lb (193 kg)	Micro Chewblet™	220/60/1	UMC425A80
		115/60/1	UMD425A80
		230/50/1	UME425A80
	Flake	220/60/1	UFC425A80
		115/60/1	UFD425A80
		230/50/1	UFE425A80



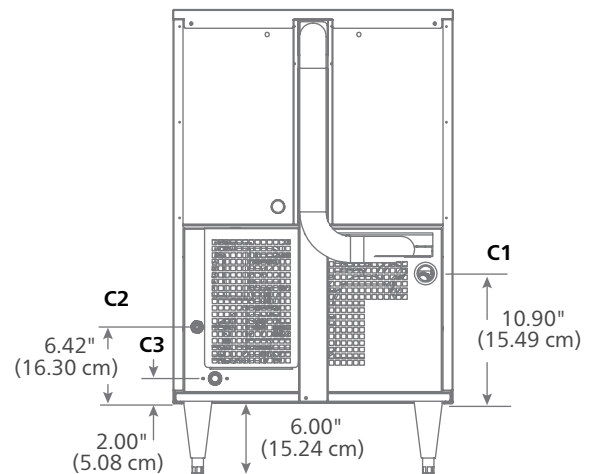
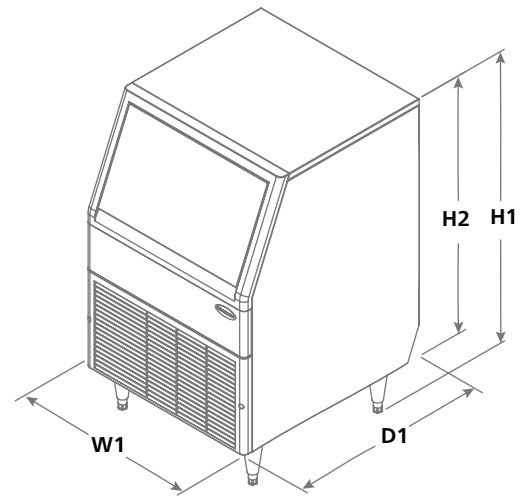
Specification

Ice storage capacity	90 lb (41 kg)
W1 Width	23.50" (59.7 cm)
D1 Depth	26.00" (66.0 cm)
H1 Height with legs	39.00" (99.0 cm)
H2 Height without legs	33.00" (83.8 cm)
Service and ventilation clearance	front ventilated - no side, top or back clearance required
Utility connection location	back
C1 Electrical	8 amps, 115 V/60/1
C1 Electrical	7' (2 m) cord, NEMA 5-15 plug
C1 Electrical	4 amps, cord only
C1 Electrical	220 V/60/1
C1 Electrical	4 amps, cord only
C1 Electrical	230 V/50/1
C2 Potable water inlet	3/8" push in
C3 Drain	3/4" MPT when unit is installed without legs, floor drain must be within 6' (1.8 m)
Heat rejection	air-cooled models – 5000 BTU/hr
Air temperature	50 - 100 F (10 - 38 C)
Water temperature	40 - 90 F (4 - 32 C)
Potable water pressure	10 - 70 psi (69 - 483 kpa) 0.7 Bar - 5 Bar max
Ice production at 70 F (21 C) air and 50 F (10 C) water	425 lb (193 kg)
Ice production at 90 F (32 C) air and 70 F (21 C) water	325 lb (147 kg)
Approximate ship weight	185 lb (84 kg)

NOTE: For indoor use only. Designed for commercial use. Follett is not able to provide in-house services for residential installations.

SHORT FORM SPECIFICATION: Ice machine to be Follett model number _____. Voltage/Hertz/Phase to be _____. Ice machine to be air-cooled with ice production to be approximately 425 lb (193 kg) per day of _____ Micro Chewblet or _____ flake ice at air temp of 70 F (21 C) and water temp of 50 F (10 C). Ice storage capacity of up to 90 lb (41 kg). Ice machine to use environmentally responsible R404a refrigerant. Ice machine to have stainless steel evaporator, auger, top bearings, heavy duty tapered roller bearings, and low water safety circuit. NSF, ETL and CE listed depending on voltage requirement.

Dimensional drawing



Micro Chewblet is a trademark of Follett Corporation.
Follett is a registered trademark of Follett Corporation, registered in the US.
Follett reserves the right to change specifications at any time without obligation. Certifications may vary depending on country of origin.

Integrated icemaker for foodservice

Form #6785 06/15
© Follett Corporation



Follett Corporation
801 Church Lane | Easton, PA 18040, USA
1.610.252.7301 | Fax: +1.610.250.0696 | folletteurope.com

Follett Europe Polska Sp. z o.o.
Mokry Dwór 26C 83-021 Wiślina, Poland
Phone: +48 (58) 785-6140 | Fax: +48 (58) 785-6159
folletteurope.com

FOLLETT
Innovative solutions, inspired by ice