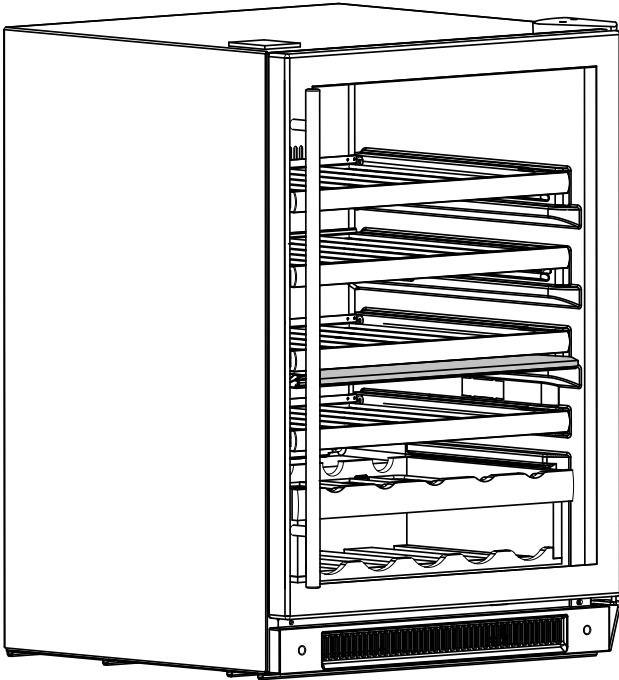


Dual Compartment Flex-Zone
Double compartiment Flex-Zone
Compartimiento doble Flex Zone



User Manual
Model # WC200GS

Guide de l'Utilisateur
Modèle # WC200GS

Manual del Usuario
Para Modelo de # WC200GS

Haier®

Quality • Innovation • Style

IMPORTANT SAFEGUARDS

When using this appliance, always exercise basic safety precautions, including the following:

1. Read all of the instructions before using this appliance.
2. Use this appliance only for its intended purpose as described in this use and care guide.
3. This wine cellar must be properly installed in accordance with the installation instructions before it is used. See grounded instructions in the installation section.
4. Never unplug your wine cellar by pulling on the power cord. Always grasp the plug firmly and pull straight out from the outlet.
5. Unplug your wine cellar before cleaning or before making any repairs.
Note: If for any reason this product requires service, we strongly recommend that a certified technician performs the service.
6. Repair or replace immediately, all electric power cords that have become frayed or otherwise damaged. Do not use a cord that shows cracks or abrasion damage along its length, the plug or the connector end.
7. This appliance is designed for built-in use only into an enclosed cabinet.
8. If your old wine cellar is not being used, we recommend that you remove the door and leave the shelves in place. This will reduce possibility of danger to children.
9. Do not operate your wine cellar in the presence of explosive fumes.
10. Do not store foods in wine cellar as interior temperature may not be cool enough to prevent spoilage or may cause bacteria growth.
11. Cabinet edges along stamp/cut-out areas may be sharp. Please avoid placing hands, fingers or other appendages near these areas.
12. This appliance is not intended for use by young children or infirm persons without supervision. Young children should be supervised to ensure they do not play with the appliance.

NOTE: Ambient operating temperature is between 55°-90°F.

SAVE THESE INSTRUCTIONS

DANGER

Risk of child entrapment. Before you throw away your old appliance, take off the doors. Leave the shelves in place so that children may not easily climb inside.

TABLE OF CONTENTS

PAGE

| | |
|---|------|
| IMPORTANT SAFEGUARDS | 1 |
| PARTS AND FEATURES | 3 |
| INSTALLING YOUR WINE CELLAR | 4-7 |
| Unpacking your wine cellar | 4 |
| Leveling your wine cellar | 4 |
| Installation Limitations | 4 |
| Electrical Requirements | 5 |
| Use of Extension Cords | 5 |
| Anti-tip Bracket Installation | 6 |
| Door Reversal | 7-8 |
| WINE CELLAR FEATURES AND USE | 9-10 |
| Initial Set up | 9 |
| Temperature Adjustment | 9 |
| Sabbath Mode | 9 |
| Alarm System | 9 |
| The illustration of Wine Storage | 10 |
| °F/°C Conversion | 10 |
| Shelving | 10 |
| Interior Light | 10 |
| Power Button | 10 |
| Normal Operating Sounds | 10 |
| PROPER WINE CELLAR CARE AND CLEANING | 11 |
| Cleaning and Maintenance | 11 |
| Power interruptions | 11 |
| Vacation & Moving care | 11 |
| TROUBLESHOOTING | 12 |
| WARRANTY | 13 |

Thank you for using our Haier product. This easy-to-use manual will guide you in getting the best use of your wine cellar.

Remember to record the model and serial number. They are on a label in back of the wine cellar.

Model number

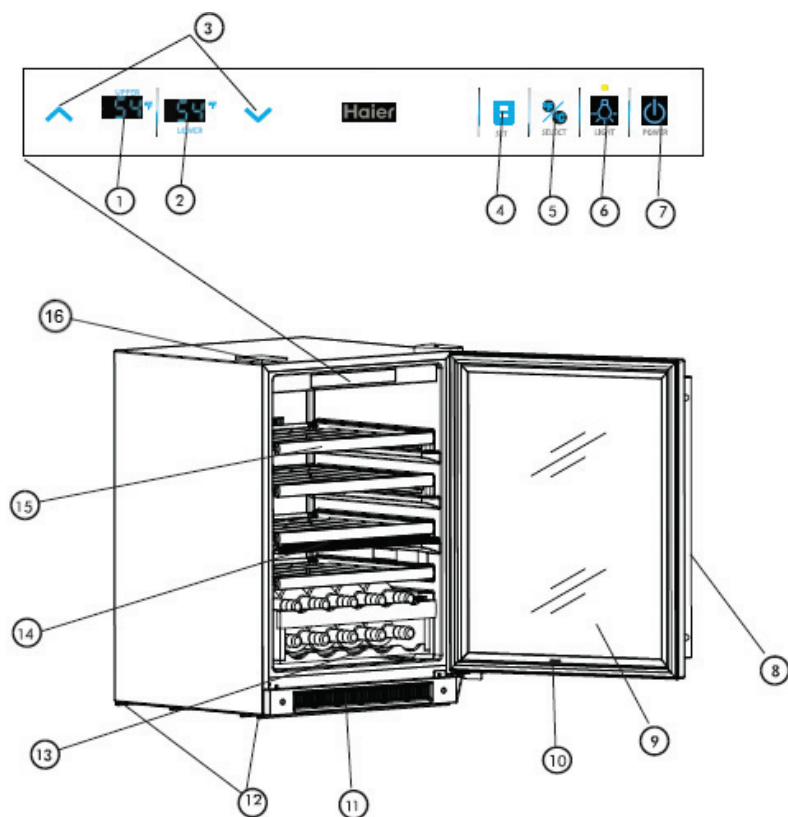
Serial number

Date of purchase

Staple your receipt to your manual.

You will need it to obtain warranty service.

PARTS AND FEATURES



- | | |
|--|------------------------------|
| 1. LED Temperature Display - Upper Compartment | 8. Door Handle |
| 2. LED Temperature Display - Lower Compartment | 9. Glass Door |
| 3. Temperature Adjustment (up/down) | 10. Light Switch |
| 4. Temperature Set Button | 11. Front Cover |
| 5. C° and F° Button | 12. Adjustable Leveling Legs |
| 6. Interior Light Button | 13. Bottom Rack |
| 7. Power Button | 14. Divider |
| | 15. Glide Out Racks |
| | 16. Upper Hinge Cover |

INSTALLING YOUR WINE CELLAR

Unpacking Your Wine Cellar

1. Remove all packaging material. This includes the base and all adhesive tape holding the wine cellar accessories inside and outside.
2. Inspect and remove any remains of packing, tape or printed materials before powering on the wine cellar.

Leveling Your Wine Cellar

- Your wine cellar has four (4) leveling legs which are located in the front and rear corners of your wine cellar. After properly placing your wine cellar in its final position, you can level your wine cellar.
- Leveling legs can be adjusted by turning them clockwise to raise your wine cellar or by turning them counterclockwise to lower your wine cellar. The wine cellar door will close easier when the leveling legs are extended.

Install Limitations

- Do not install your wine cellar in any location not properly insulated or heated e.g. garage etc. Your wine cellar was not designed to operate in ambient temperature settings higher than 90° Fahrenheit.
- Select a suitable location for the wine cellar on a hard even surface away from direct sunlight or heat source e.g. radiators, baseboard heaters, cooking appliances etc. Any floor unevenness should be corrected with the leveling legs.
- Built in wine cellars need to be ventilated from the front. This feature allows the unit to be built-in an enclosed area. The bottom front grille should be clear of all obstructions. This is absolutely for the air to circulate and for the unit to operate efficiently. The dimensions for installation are as follows (WxDxH).

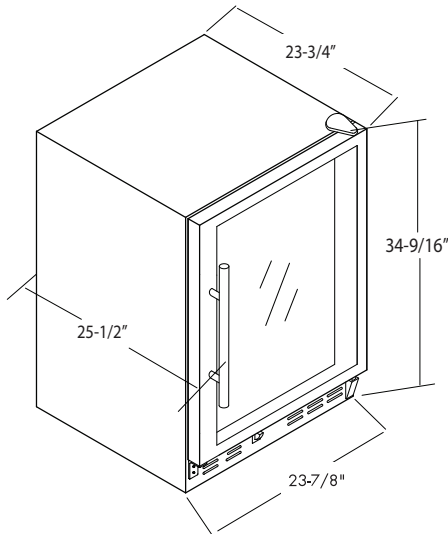
Note: Remove the upper hinge cover before installing a built-in wine cellar.

Unit Dimensions

| Model | W | D | H |
|---------|---------|---------|----------|
| WC200GS | 23-7/8" | 23-3/4" | 34-9/16" |

Opening Dimensions

| Model | W | D | H |
|---------|-----|-----|-----|
| WC200GS | 24" | 24" | 35" |



Electrical Requirement:

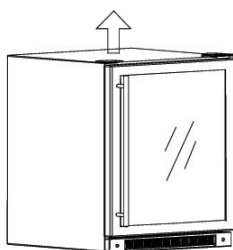
- Make sure there is a suitable power outlet (115 volts, 15 amps outlet) with proper grounding to power the wine cellar.
- Avoid the use of three plug adapters or cutting off the third grounding in order to accommodate a two plug outlet. This is a dangerous practice since it provides no effective grounding for the wine cellar and may result in shock hazard.

Use of Extension Cord

- Avoid the use of an extension cord because of potential safety hazards under certain conditions. If it is necessary to use an extension cord, use only a 3-wire extension cord that has a 3-blade grounding plug and a 3-slot outlet that will accept the plug. The marked rating of the extension cord must be equal to or greater than the electrical rating of the appliance.

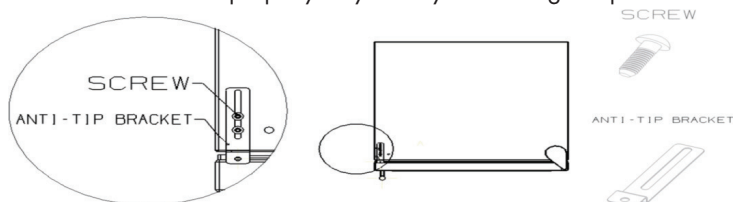
Anti-tip bracket Installation

1. Take off upper hinge cover with upwards motion. Refer to illustrations below:

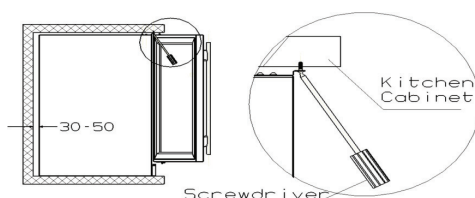


2. Take the anti-tip bracket and screws from the accessory bag. Tighten the anti-tip bracket on the top of the product with screws as follows in the illustration.

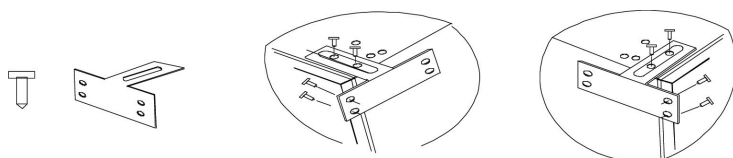
Note: Follow instructions properly or you may do damage to product.



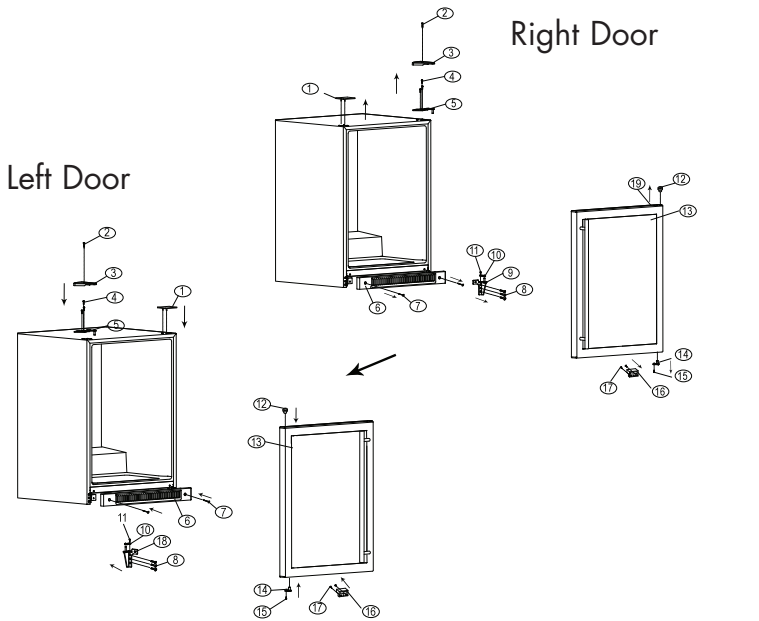
3. Pull glass door open and attach the anti-tip bracket to counter by screw as seen below. Adjustment of the leveling legs under the unit may be necessary for a proper fit in the cabinet opening. Start with the rear legs (if necessary) before you slide the unit fully into the opening –rise or lower the rear legs to make the unit fit properly. Then carefully slide the unit into opening as not to damage accidentally cabinetry or the floor. Then perform the same adjustments to the front leveling legs to bring the front of unit to the proper level to install the anti-tip bracket and fit evenly under the counter.



4. Another set of anti-tip brackets for side installation is provided as option when the counter top is granite and hard to fix by screw. This set of brackets include one bracket and four screws for installation on left side if the cabinet when the door is left-open or on the right side of the cabinet when the door is right-open. Below draft illustrates the installation procedure.



Door Reversal



- | | |
|---------------------------------|-----------------------------------|
| 1. Upper hinge hole's cover | 10. Door stop spacer |
| 2. Hinge cover's plug and screw | 11. Door stop spacer |
| 3. Upper hinge's cover | 12. Upper door hole spacer |
| 4. Upper hinge's screw | 13. Glass door |
| 5. Upper hinge | 14. Door closer |
| 6. Front cover (toe kick) | 15. Screw |
| 7. Front cover's screw | 16. Magnetic switch's screw |
| 8. Lower hinge's screw | 17. Magnetic switch |
| 9. Lower right hinge | 18. Lower left hinge (spare part) |
| | 19. Screw hole cap |

Steps to Door Reversal

1. Remove lower toe kick (Front cover)
2. Remove plastic plug in the center if hinge cover (#3)
3. Remove screw from center of hinge cover (#2)
4. Remove hinge cover (#3)
5. Remove Square cover on left (#1)
6. Loosen and remove all 3 screws from upper door hinge (#4 and #5)
NOTE: Hold door while loosening and removing upper hinge to prevent fall and Damaging door as well as bodily injury
7. Lift door and lay door flat on the door
8. Loosen and remove the screws that hold the plastic door closer attached on the door in place (#14 and #15)
9. Remove upper right hole plastic door spacer (#12)
10. Remove the small screw hole cap in place (#19)
11. Loosen and remove door magnet switch from bottom center of door (#16 and #17) and reattach it to the top center of door.
12. Loosen and remove the 4 screws that hold the bottom right door hinge in Place
13. Remove bottom right door hinge
14. Loosen and remove the screw that hold the plastic door closer attached to the bottom right door hinge (#10 and #11)
15. Attach and tighten plastic door closer removed in step 13 to the bottom left door hinge provided in the accessory bag inside unit
16. Attach and tighten the bottom left door hinge to the unit with the screws removed in step 8
17. Take door so handle is now on the right side as it is placed in front of you and lay flat on floor
18. Insert plastic door spacer removed in step 9 into top left hole of door
19. Attach the plastic door closer to the door removed in step 8
20. Align the bottom left hole on the door with the pin on the bottom left door hinge
21. Slide into place gently
22. Take upper door hinge removed in step 6
23. Align pin of upper door hinge with hole on the upper left if door
24. Take the 3 screws removed step 6 and attach them to the screw holes on the unit and tighten **Note:** Do not fully tighten yet
25. Make sure top of door is level with top of cabinet
26. Once level, fully tighten screws that hold upper door hinge in place
27. Replace upper hinge cover removed in step 4
28. Tighten hinge cover to unit with screw removed in step 3
29. Replace screw cover plug removed in step 2
30. Replace square cover removed in step 5 to top cover right screw holes
31. Replace the small screw hole cap removed in step 10
32. Attach and tighten toe kick (Front cover) to the unit with the screws removed in step 1

Wine Cellar Features and Use

Initial Setup

Once you have plugged the unit into an electrical outlet, let the unit run for at least 30 minutes to acclimate itself before making any adjustments. The LED display will show the current internal temperature.

Temperature Adjustments see figure #1

- The wine cellar can be set at different temperature in either of the compartments to accommodate your wine storage requirements. The temperature range in upper compartment is 50°F-65°F, in lower compartment is 43°F-65°F. To set the temperature hold the "SET" button for about 3 seconds. You will notice the temperature display flashes for the upper compartment. Press the "∧" or "∨" button to increase or decrease the temperature setting. Once the desired temperature is attained, press the "set" button. By doing this, the electronic control panel will memorize the setting. The temperature display will revert back to display to the inside temperature. It may take some time to reach the set temperature.
- Once the temperature is set for the upper compartment, you will notice the temperature display ashes for the lower compartment. Again press the "∧" or "∨" button to increase or decrease the temperature setting. Once the desired temperature is attained, press the "set" button. By doing this, the electronic control panel will memorize the setting. The temperature display will revert back to display to the inside temperature. It may take some time to reach the set temperature.



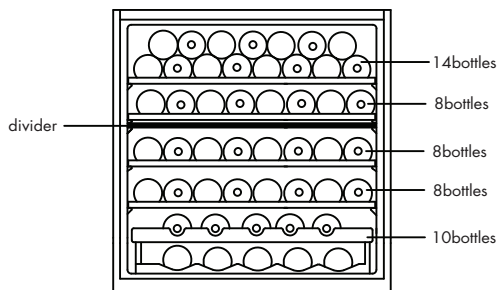
Sabbath Mode

Press and hold ∧ and ∨ at the same time for 3 seconds, buzzer will ring once, display panel will flash 5 times and close. This indicates that the unit entered Sabbath mode. In this mode, normal cooling operations still take place (compressor, magnetic valve, fan), but all luminous equipment including display panel and LED bulb will shut off no matter if door is opening and closing. Press and hold ∧ and ∨ at the same time for 3 seconds, after the display panel flashes 5 times, you can exit from Sabbath mode.

Alarm System

Door Ajar Alarm- If the door of the unit is kept open for long time and affect temperature so much , the system will give an alarm, if you want to stop it, press "SET" button.

The following is an illustration for 48-78mm wine bottles. This may vary based on size and shape of bottle. **NOTE:** For illustrative purpose only.



“°F/°C” Conversion

Press and hold “°F/°C” for 3 seconds, the displayed temperature in Fahrenheit degree and °F character will convert to temperature in Celsius degree and “°C” character. Press and hold “°F/°C” for 3 seconds again, the temperature in Celsius degree and “°C” character will convert to temperature in Fahrenheit degree and “°F” character.

Shelving

- The shelves are designed for appearance and easy cleaning. Larger bottles or Magnums can be more easily accommodated at the cross shelves at the bottom of the cellar.
- There are 5 glide-out shelves for easy storage and removal of your wine.
- You can put unfinished bottle of wine on the bottom wine racks at an angle.
- Unfinished wood trim is stainable to accommodate your decor.

Interior Light

- Complement the look of your collection, a soft light has been built into the wine cellar. Simply push the "Light" button and the light comes on, push again for off. For maximum energy efficiency, leave light off when not viewing your collection.
- When door is open the light will go on. Upon closing the door, light will go off

Power Button

- You can shut off the power of the wine cellar when it isn't in use by pressing the "Power" button for 3 seconds. It will shut off the compressor, electromagnetism valve and the display panel. It can also be turned on again by pressing the "Power" button quickly. The light inside the wine cellar will turn on if you open the door while power is shutting off for convenience.

Normal Operating Sounds You May Hear

- Boiling water, gurgling sounds or slight vibrations are the result of the refrigerant circulating through the cooling coils.
- The thermostat control will click when it cycles on and off.

PROPER WINE CELLAR CARE AND CLEANING

Cleaning and Maintenance

Warning: To avoid electric shock always unplug your wine cellar before cleaning. Ignoring this warning may result in death or injury.

Caution: Before using cleaning products, always read and follow manufacturer's instructions and warnings to avoid personal injury or product damage.

General:

- Prepare a cleaning solution of 3-4 tablespoons of baking soda mixed with warm water. Use sponge or soft cloth, dampened with the cleaning solution, to wipe down your wine cellar.
- Rinse with clean warm water and dry with a soft cloth.
- Do not use harsh chemicals, abrasives, ammonia, chlorine bleach, concentrated detergents, solvents or metal scouring pads. SOME of these chemicals may dissolve, damage and/or discolor your wine cellar.

Door Gaskets:

- Clean door gaskets every three months according to general instructions. Gasket must be kept clean and pliable to assure a proper seal.
- Petroleum jelly applied lightly on the hinge side of gaskets will keep the gasket pliable and assure a good deal.

Power Interruptions

- Occasionally there may be power interruptions due to thunderstorms or other causes. Remove the power cord from AC outlet when a power outage occurs. When power has been restored, replug power cord to AC outlet.

Vacation and Moving Care

- For long vacations or absences, unplug the unit, empty contents from wine cellar, and clean the wine cellar and door gaskets according to "General cleaning" section. Prop doors open, so air can circulate inside.
- When moving always move the wine cellar vertically. Do not move the unit lying down, as possible damage to the sealed system could occur.

Note: After moving, wait for 24 hours before plugging in the wine cellar.

TROUBLESHOOTING

Wine Cellar does not operate

- Check if wine cellar is plugged in.
- Check if there is power at the AC outlet, by checking the circuit breaker.

Wine appears too warm

- Frequent door openings.
- Allow time for recently added wine to reach desired temperature.
- Check gaskets for proper seal.
- Clean front cover.
- Adjust temperature control to colder setting.

Wine temperature is too cold

- If temperature control setting is too cold, adjust to a warmer setting.

Moisture build up on interior or exterior of the wine cellar:

- This is normal during high humidity periods.
- Prolonged or frequent door openings.
- Check door gaskets for proper seal.

Wine Cellar door does not shut properly:

- Level the wine cooler.
- Check for blockages e.g. wine bottles, shelves.

LIMITED WARRANTY

What is covered and for how long?

This warranty covers all defects in workmanship or materials for a period of:

**12 months labor (carry-in)
12 months parts**

The warranty commences on the date the item was purchased and the original purchase receipt must be presented to the authorized service center before warranty repairs are rendered.

EXCEPTIONS: Commercial or Rental Use warranty

90 days labor (carry-in only)

90 days parts

No other warranty applies

What is covered.

1. The mechanical and electrical parts, which serve as a functional, purpose of this appliance for a period of 12 months. This includes all parts except finish, and trim.

What will be done?

1. We will repair or replace, at our discretion any mechanical or electrical part which proves to be defective in normal usage during the warranty period so specified.
2. There will be no charge to the purchaser for parts and labor on any covered items during the initial 12 month period.
3. Contact your nearest authorized service center. For the name of the nearest service center please call 1-877-337-3639.

THIS WARRANTY COVERS APPLIANCES WITHIN THE CONTINENTAL UNITED STATES, PUERTO RICO AND CANADA. IT DOES NOT COVER THE FOLLOWING:

Damages from improper installation.

Damages in shipping.

Defects other than manufacturing.

Damage from misuse, abuse, accident, alteration, lack of proper care and maintenance or incorrect current or voltage.

Damage from other than household use.

Damage from service by other than an authorized dealer or service center.

Decorative trims or replaceable light bulbs.

Transportation and shipping.

Labor (after the initial 12 months).

THIS LIMITED WARRANTY IS GIVEN IN LIEU OF ALL OTHER WARRANTIES, EXPRESSED OR, INCLUDING THE WARRANTIES OF MERCHANTABILITY AND FITNESS FOR A PARTICULAR PURPOSE

The remedy provided in this warranty is exclusive and is granted in lieu of all other remedies.

This warranty does not cover incidental or consequential damages, so the above limitations may not apply to you. Some States do not allow limitations on how long an implied warranty lasts, so the above limitations may not apply to you.

This warranty gives you specific legal rights, and you may have other rights, which vary, from state to state.

Haier America
New York, NY 10018

IMPORTANTES CONSIGNES DE SÉCURITÉ

Quand vous utilisez cet appareil, respectez toujours les précautions d'utilisation de base, dont les suivantes:

1. Lisez toutes les instructions avant d'utiliser cet appareil.
2. Utilisez cet appareil uniquement pour la fonction pour laquelle il a été conçu comme décrit dans ce guide d'utilisation et d'entretien.
3. Cette cave à vin doit être correctement installée conformément aux instructions d'installation avant d'être utilisée. Voir instructions de mise à la terre dans la section installation.
4. Ne débranchez jamais la cave à vin en tirant sur le cordon d'alimentation. Débranchez en tirant la fiche de la prise.
5. Débranchez votre cave à vin avant de la nettoyer et avant de faire des réparations.

Note: Si pour une raison ou une autre cet appareil a besoin de service, nous vous recommandons vivement de faire appel à un technicien agréé pour effectuer la réparation.

6. Réparez ou remplacez immédiatement tous les cordons d'alimentation qui peuvent être effilochés ou endommagés. N'utilisez pas un cordon d'alimentation qui semble craquelé ou est abîmé sur sa longueur, la fiche ou la tête.
7. Cet appareil est conçu pour une utilisation encastrée uniquement dans un meuble de rangement.
8. Si vous n'utilisez pas votre vieille cave à vin, nous vous recommandons d'en retirer la porte et de laisser les clayettes en place. Cela réduira la possibilité de danger pour les enfants.
9. Ne faites pas fonctionner votre cave à vin en présence de fumées explosives.
10. N'entrez pas de nourriture dans la cave à vin car la température interne peut ne pas être suffisamment froide pour empêcher la détérioration ou peut causer la croissance de bactéries.
11. Les bords de l'appareil peuvent être tranchants, évitez de placer vos mains, doigts ou autre près de ces zones.
12. Cet appareil n'est pas conçu pour être utilisé par des enfants en bas âge ou par des personnes invalides sans supervision. Les enfants en bas âge doivent être surveillés pour s'assurer qu'ils ne jouent pas avec l'appareil.

REMARQUE: La température ambiante de fonctionnement est comprise entre 55°-90°F.

CONSERVEZ CES INSTRUCTIONS

DANGER

Risque de suffocation et de confinement des enfants. Avant de jeter votre vieil appareil, retirez les portes. Laissez les clayettes en place pour que les enfants ne puissent grimper facilement à l'intérieur.

TABLE DES MATIÈRES

PAGE

| | |
|--|-------|
| CONSIGNES DE SÉCURITÉ IMPORTANTES | 13 |
| PIÈCES ET FONCTIONS | 15 |
| INSTALLATION DE VOTRE CAVE À VIN | 16-19 |
| Déballage de votre cave à vin..... | 16 |
| Pieds réglables de votre cave à vin..... | 16 |
| Limites d'installation | 16 |
| Besoins électriques..... | 17 |
| Utilisation de rallonges | 17 |
| Installation du support anti-basculement..... | 17 |
| Porte réversible | 18-19 |
| FONCTIONS ET UTILISATION DE LA CAVE À VIN | 20-21 |
| Mise en marche initiale | 20 |
| Réglage de la température..... | 20 |
| Mode Sabbat | 20 |
| Système d'alarme..... | 20 |
| Illustration du rangement du vin | 21 |
| Conversion "°F/°C" | 21 |
| Clayettes..... | 21 |
| Lumière interne | 21 |
| Bouton de marche..... | 21 |
| Bruits de fonctionnement normal | 21 |
| ENTRETIEN ET NETTOYAGE DE LA CAVE À VIN | 22 |
| Nettoyage et maintenance | 22 |
| Coupures de courant..... | 22 |
| Vacances et déménagement..... | 22 |
| PROBLÈMES ET SOLUTIONS | 23 |
| GARANTIE | 24 |

Merci d'avoir choisi ce produit Haier. Ce guide facile à utiliser vous permettra d'utiliser votre cave à vin au maximum de ses capacités.

N'oubliez pas de noter le modèle et le numéro de série. Ils sont sur une étiquette au dos de votre cave à vin.

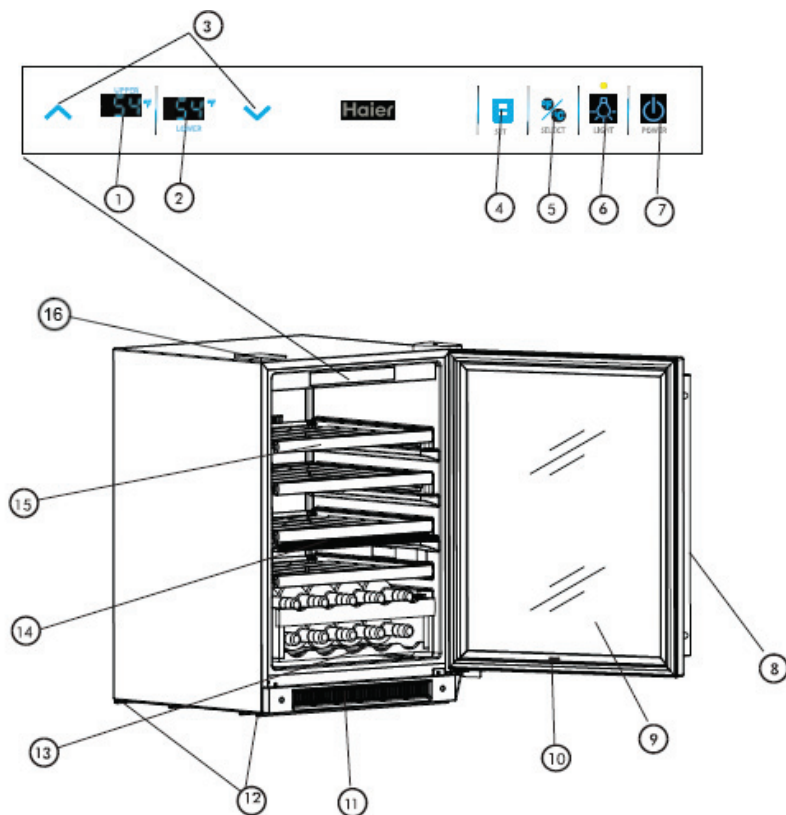
Numéro du modèle

Numéro de série

Date d'achat

Agrafez votre reçu à votre mode d'emploi. Vous en aurez besoin pour faire valoir votre garantie.

PIÈCES ET FONCTIONS



- | | |
|---|-----------------------------|
| 1. Témoin lumineux d'affichage de la température – Compartiment supérieur | 7. Bouton de marche |
| 2. Témoin lumineux d'affichage de la température – Compartiment inférieur | 8. Poignée de porte |
| 3. Ajustement de la température (bas/haut) | 9. Porte en verre |
| 4. Bouton de réglage de la température | 10. Interrupteur de lumière |
| 5. Boutons C° et F° | 11. Couverture avant |
| 6. Bouton de lumière interne | 12. Pieds réglables |
| | 13. Clayette inférieure |
| | 14. Diviseur |
| | 15. Glisser Supports |
| | 16. Charnière Supérieure |

INSTALLATION DE VOTRE CAVE À VIN

Déballage de votre cave à vin

1. Retirez tous les matériaux d'emballage dont la mousse et tous les adhésifs sur la cave à vin et les accessoires à l'intérieur comme à l'extérieur.
2. Vérifiez que vous avez bien retiré tous les matériaux d'emballage ainsi que la documentation avant de brancher votre cave à vin.

Pieds réglables

- Votre cave à vin possède quatre (4) pieds réglables situés aux coins avant et arrière de la cave à vin. Après avoir correctement placé votre cave à vin vous pouvez régler les pieds de votre cave à vin.
- Les pieds peuvent être réglés en les tournant dans le sens des aiguilles d'une montre pour élever la cave à vin ou dans le sens contraire des aiguilles d'une montre pour abaisser la cave à vin. La porte de la cave à vin se fermera plus facilement quand les pieds réglables sont allongés.

Restrictions d'installation

- Ne placez pas votre cave à vin dans un lieu qui n'est pas correctement isolé ou chauffé comme un garage par exemple. Votre appareil n'est pas fait pour être utilisé à des températures ambiantes supérieures à 32°C (90°F)
- Choisissez une surface stable et plane loin de toute source de chaleur ou d'exposition directe à la lumière du soleil comme radiateurs, chauffages, appareils de cuisson, etc. Si la surface choisie n'est pas plane, aplanissez-la à l'aide des pieds réglables.
- Les caves à vin encastrées doivent être ventilées de l'avant. Cette fonction permet à l'appareil d'être encastré dans un lieu clos. La grille inférieure avant doit être dégagée de toute obstruction. Cela est absolument nécessaire pour que l'air circule et pour que l'appareil fonctionne efficacement. Les dimensions de l'installation sont les suivantes (LxPxH).

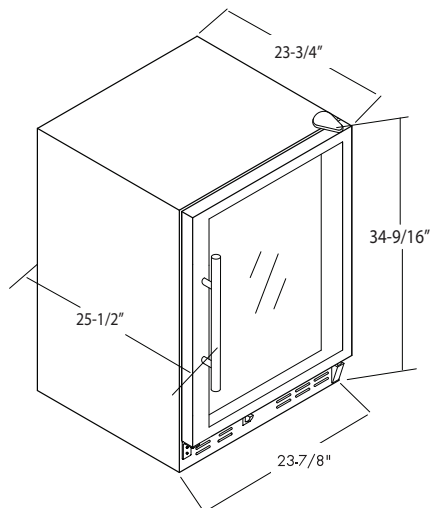
Note: Retirez le couvre-charnière supérieur avant l'installation d'une cave à vin encastrée.

Dimensions de l'appareil

| MODÈLE | L | P | H |
|---------|----------------------------|----------------------------|-----------------------------|
| WC200GS | 23-7/8 pouces / 60,6 cm | 23-3/4 pouces / 60,3 cm | 34-9/16 pouces / 87,8 cm |

Dimensions encastré

| MODÈLE | L | P | H |
|---------|-------------------|-------------------|-------------------|
| WC200GS | 24 pouces / 61 cm | 24 pouces / 61 cm | 35 pouces / 89 cm |



Exigences électriques:

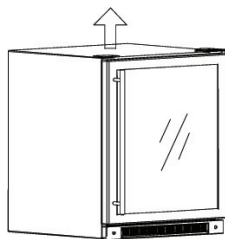
- Assurez-vous qu'il y ait une prise électrique (115 volts, 15 A) correctement mise à la terre pour brancher la cave à vin.
- Évitez d'utiliser un adaptateur à trois lames ou de couper la troisième lame pour que cela marche dans une prise électrique à deux trous. Ceci est une pratique très dangereuse car elle ne fournit aucune réelle mise à la terre pour la cave à vin et peut conduire à un risque de choc.

Utilisation d'une rallonge:

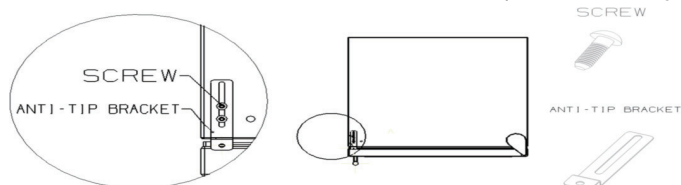
Évitez d'utiliser une rallonge à cause des potentiels risques de sécurité sous certaines conditions. Si vous avez besoin d'utiliser une rallonge, utilisez uniquement une rallonge à 3 lames, qui a 3 lames au bout et qui a 3 trous pour recevoir la fiche de l'appareil. La tension de la rallonge doit être au moins égale à celle de l'appareil.

Installation du support anti-basculement

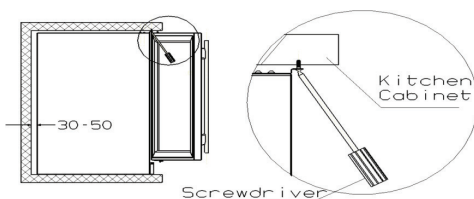
1. Retirez le couvercle de la charnière du haut avec un mouvement vers le haut. Référez-vous à l'illustration ci-dessous :



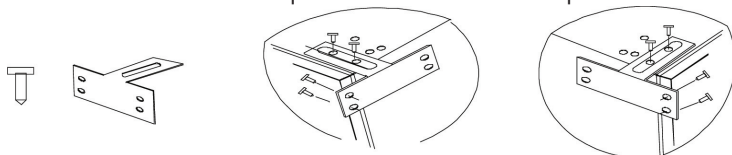
2. Retirez le support anti-basculement et les vis du sac à accessoires. Resserrez le support anti-basculement sur le dessus du produit avec les vis, tel qu'indiqué dans l'illustration. **N.B.:** Il faut bien suivre les indications, ou risquer d'endommager le produit.



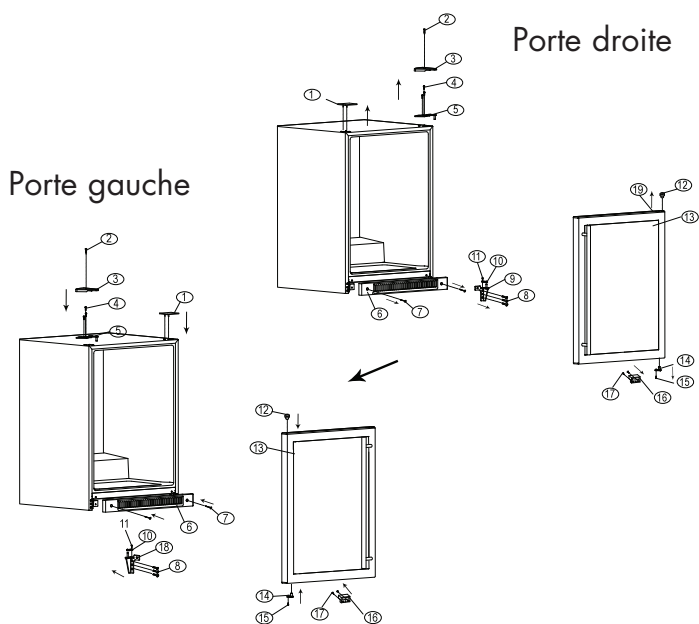
3. Ouvrez la porte de verre et fixez le support anti-basculement au comptoir à l'aide de vis, tel qu'indiqué ci-dessous. L'ajustement des pattes de mise à niveau peut être nécessaire pour un ajustement approprié dans l'ouverture de l'armoire. Si nécessaire, commencer d'abord par les pattes arrière avant de glisser l'appareil dans l'ouverture, pour ne pas endommager accidentellement le plancher ou l'armoire. Puis, effectuez le même ajustement pour les pattes avant pour mettre l'avant de l'appareil au niveau, pour installer le support anti-basculement pour passer sous le comptoir.



4. Un deuxième ensemble de supports anti-basculement est fourni pour l'installation latérale, dans le cas où le comptoir est fait en granite et les vis sont impossible à utiliser. Cet ensemble est comporté d'un support et de 4 vis pour installer du côté gauche si la porte ouvre du côté gauche ou sur le côté droit si la porte ouvre du côté droit. L'esquisse ci-dessous illustre la procédure d'installation.



Porte réversible



- | | |
|---------------------------------------|---|
| 1. Cache-trou de charnière supérieure | 10. Espaceur de butoir de porte |
| 2. Cheville et vis du cache-charnière | 11. Espaceur de butoir de porte |
| 3. Cache-charnière supérieure | 12. Espaceur de trou supérieur de la porte |
| 4. Vis de la charnière supérieure | 13. Porte vitrée |
| 5. Charnière supérieure | 14. Butoir de porte |
| 6. Couvercle avant | 15. Vis |
| 7. Vis du couvercle avant | 16. Vis de l'interrupteur magnétique |
| 8. Vis de la charnière inférieure | 17. Interrupteur magnétique |
| 9. Charnière inférieure droite | 18. Charnière inférieure gauche (pièce de rechange) |
| | 19. Capuchon du trou de vis |

Étapes pour inverser la porte

1. Retirez le couvercle avant du mécanisme du bas
2. Retirez le bouchon de plastique au centre s'il y a un couvercle de charnière (#3)
3. Retirez la vis du centre du couvercle de la charnière (#2)
4. Retirez le couvercle de la charnière (#3)
5. Retirez le couvercle carré à gauche (#1)
6. Dévissez et retirez les 3 vis de la charnière du haut de la porte (#4 et #5)
N.B. :Tenez la porte lorsque vous dévissez et retirez les vis de la charnière du haut pour éviter que la porte tombe et cause des dommages ou des blessures.
7. Soulevez la porte et couchez-la à plat sur le sol.
8. Dévissez et retirez les vis tenant le couvercle de plastique du fermoir de la porte en place (#14 et #15)
9. Retirez la cale de plastique du haut de la porte à droite. (#12)
10. Retirez le petit couvercle de vis (#19)
11. Dévissez et retirez l'aimant du bas-centre de la porte (#16 et #17) et rattachez-le au haut-centre de la porte.
12. Dévissez et retirez les vis qui tiennent la charnière du côté droit du bas de la porte.
13. Retirez la charnière du côté droit du bas de la porte.
14. Dévissez et retirez la vis tenant le fermoir de plastique de la porte fixé à la charnière du côté droit du bas de la porte (#10 et #11)
15. Fixez et serrez le fermoir de plastique de la porte retiré à l'étape 13 à la charnière du côté gauche du bas de la porte fourni dans le sac à accessoire dans l'appareil.
16. Fixez et serrez la charnière du côté gauche du bas de la porte à l'aide des vis retirées à l'étape 8.
17. Tournez la porte pour que la poignée soit maintenant à votre droite et recouchez-la sur le sol.
18. Insérez la cale de plastique retirée à l'étape 9 dans le trou dans le haut de la porte, à gauche.
19. Fixez le fermoir de plastique de la porte retiré à l'étape 8.
20. Alignez le trou gauche du bas de la porte avec la goupille sur la charnière de gauche du bas de la porte.
21. Glissez doucement en place.
22. Prendre la charnière du haut de la porte retirée à l'étape 6
23. Alignez la goupille de la charnière du haut avec le trou de gauche du haut de la porte.
24. Fixez les 3 vis retirées à l'étape 6 aux trous à vis sur l'appareil et vissez. N.B. : ne pas trop serrer.
25. Assurez-vous que le haut de la porte est au niveau avec le haut de l'armoire.
26. Une fois mis au niveau, serrez complètement les vis tenant la charnière du haut en place.
27. Remplacez le couvercle de la charnière retiré à l'étape 4.
28. Serrez le couvercle de la charnière à l'aide de la vis retirée à l'étape 3
29. Remplacez le bouchon du trou de vis retiré à l'étape 2
30. Remplacez le couvercle carré retiré à l'étape 5 aux trous de vis du haut à droite
31. Remplacez le petit bouchon de trou de vis retiré à l'étape 10
32. Fixez et serrez le couvercle avant avec les vis retirées à l'étape 1

Fonctions de la cave à vin et utilisation

Installation initiale

Une fois que vous avez branché votre appareil laissez-le fonctionner pendant 30 minutes pour qu'il s'acclimate, avant de faire des réglages. Le voyant lumineux affichera la température interne actuelle.

Réglage de la température (voir figure 1)

- Les températures des différents compartiments de l'armoire à vin peuvent se régler indépendamment pour accommoder vos besoins d'entreposage de vin. La température du compartiment du haut peut être réglée entre 50°F-65°F, le compartiment du bas entre 43°F-65°F. Pour régler la température, appuyez et maintenez le bouton « SET » pendant 3 secondes. Vous observerez donc que l'affichage de température clignote pour le compartiment du haut. Appuyez sur les boutons “^” ou “v” pour augmenter ou diminuer la température. Une fois que la température désirée est atteinte, appuyez de nouveau sur le bouton « SET ». Cela faisant, le panneau de contrôle électronique mémorisera le réglage. L'affichage de température affichera de nouveau la température intérieure. Il se peut que ce la prenne du temps pour atteindre la température réglée.
- Un fois que la température est réglée pour le compartiment du haut, vous observerez que l'affichage de température clignote pour le compartiment du bas. Appuyez de nouveau sur les boutons “^” ou “v” pour augmenter ou diminuer la température. Une fois que la température désirée est atteinte, appuyez de nouveau sur le bouton « SET ». Cela faisant, le panneau de contrôle électronique mémorisera le réglage. L'affichage de température affichera de nouveau la température intérieure. Il se peut que ce la prenne du temps pour atteindre la température réglée.



Mode Sabbat

Appuyez et maintenez le doigt sur ^ et v pendant 3 secondes, la sonnerie retentira une fois, le tableau d'affichage clignotera 5 fois et se fermera. Cela indique que l'appareil est entré en mode Sabbat. Dans ce mode, les opérations de refroidissement normal auront lieu (compresseur, valve magnétique, ventilateur) mais tous les équipements lumineux dont le tableau d'affichage et le voyant lumineux s'éteindront que la porte soit ouverte ou fermée. Appuyez et maintenez le doigt sur ^ et v pendant 3 secondes, après que le tableau d'affichage ait clignoté 5 fois vous pouvez sortir du mode Sabbat.

Système d'alarme

Signal de porte ouverte – si la porte de l'appareil reste ouverte assez longtemps pour affecter la température intérieure, le système émet une alarme. Pour l'arrêter, appuyez le bouton « SET »

Voici une illustration pour des bouteilles de vin de 48-78 mm. Cela peut varier en fonction de la taille et de la forme des bouteilles. **N.B.:** À titre d'illustration seulement

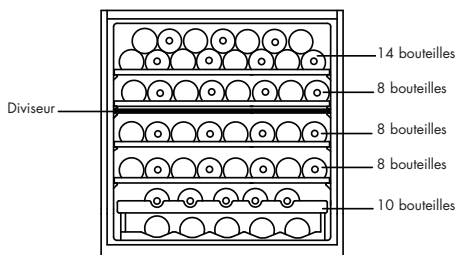


fig. #3

Conversion “°F/°C”

Appuyez et maintenez “°F/°C” pour 3 secondes et l’affichage de température changera de Fahrenheit (°F) à Celsius (°C). Appuyez de nouveau sur le bouton pendant 3 secondes et la température retournera en Fahrenheit.

Clayettes

- Les clayettes sont conçues pour leur aspect et pour un nettoyage facile. Les bouteilles larges et les Magnums peuvent être facilement entreposés sur les clayettes croisées au bas de la cave à vin.
- Il y a 5 clayettes coulissantes pour un entreposage et un retrait facile de vos vins.
- Vous pouvez mettre les bouteilles de vin non terminées sur les clayettes inférieures dans un angle.
- La bordure de bois peut être teinte pour s’agencer à votre décor

Lumière interne

- Afin de complimenter l’apparence de votre collection de vin il y a une lumière tamisée intégrée à l’intérieur de la cave à vin. Appuyez simplement sur le bouton « Light » et la lumière s’allumera. Appuyez de nouveau dessus pour l’éteindre. Pour un rendement énergétique maximum, éteignez la lumière lorsque vous ne regardez pas votre collection de vins.
- Quand la porte est allumée la lumière s’allumera. Quand elle est fermée, la lumière s’éteindra.

Bouton de marche

- Vous pouvez éteindre la cave à vin quand elle n’est pas utilisée en appuyant sur le bouton « Power » pendant 3 secondes. Cela éteindra le compresseur, la valve électromagnétique et le tableau d’affichage. Elle peut être de nouveau allumée en appuyant rapidement sur le bouton « Power ». La lumière interne de la cave à vin s’allumera si vous ouvrez la porte pendant que l’appareil s’éteint pour votre convenance.

Bruits de fonctionnement normal

- Eau bouillante, gargouillis ou vibrations légères résultent de la circulation du réfrigérant à travers les bobines de refroidissement.
- Le thermostat clique lorsqu’il passe de marche à arrêt.

NETTOYAGE ET ENTRETIEN DE LA CAVE À VIN

Nettoyage et maintenance

Avertissement:

Afin d'éviter tout risque de décharge électrique débranchez toujours votre réfrigérateur avant nettoyage. Ne pas respecter ces consignes peut entraîner des blessures ou la mort.

Attention:

Avant d'utiliser des produits de nettoyage lisez et suivez toujours les instructions et avertissements du fabricant afin d'éviter de vous blesser et d'endommager l'appareil.

Général:

- Préparez un mélange de 3-4 cuillères à soupe de bicarbonate de soude à de l'eau tiède. Utilisez une éponge ou un chiffon humide trempé dans le mélange pour nettoyer la cave à vin.
- Rincez à l'eau tiède propre et séchez avec un chiffon sec.
- N'utilisez pas de produits abrasifs, de l'ammoniaque, eau de javel, des détergents concentrés, des solvants ou des éponges en métal. CERTAINS de ces produits peuvent se dissoudre, endommager et/ou décolorer votre cave à vin.

Joints d'étanchéité de la porte:

- Les joints d'étanchéité doivent être gardés propres et flexibles afin d'assurer un bon scellage.
- Nettoyez les joints d'étanchéité de la porte tous les trois mois selon les instructions.
- Utiliser un peu de vaseline sur le rebord de la charnière assurera la flexibilité des joints et un bon scellage.

Coupures de courant:

- Occasionnellement il se peut qu'il y ait des coupures de courant dues à des orages ou autres. Retirez le cordon d'alimentation de la prise électrique quand il y a une panne de courant. Lorsque le courant est rétabli rebranchez le cordon d'alimentation dans la prise électrique.

Vacances et déménagement

- En cas d'absences prolongées ou de longues vacances, débranchez la cave à vin, videz son contenu et nettoyez la cave à vin et les joints d'étanchéité selon la section « Nettoyage général ». Maintenez les portes ouvertes pour que l'air puisse circuler à l'intérieur.
- Lorsque vous bougez la cave à vin bougez-la toujours verticalement. Ne couchez pas l'appareil au sol lors d'un déménagement car cela pourrait endommager le système scellé.

Note: Après le déménagement, attendez 24h avant de rebrancher votre cave à vin.

DÉPANNAGE

Le Réfrigérateur à vin ne fonctionne pas:

- Veiller à ce que le réfrigérateur à vin soit bien branché.
- Veiller à ce que la prise de courant AC fonctionne bien en vérifiant le disjoncteur.

Le vin semble trop chaud:

- La porte est ouverte trop fréquemment.
- Accordez l'heure pour le vin récemment ajouté d'atteindre température désirée.
- Vérifier l'étanchéité des joints.
- Panneau avant propre.
- Régler le programmeur de température sur froid.

La température de vin est trop froide:

- Si le programmeur de température est placé sur une position trop froide, le régler sur une position plus chaude.

Accumulation d'humidité à l'intérieur ou à l'extérieur du réfrigérateur à vin:

- Ceci est normal pendant les périodes de grande chaleur humide.
- Ouvertures de la porte prolongée ou trop fréquente.
- Vérifier l'étanchéité des joints.

La porte du réfrigérateur à vin/congélateur ne ferme pas correctement:

- Mettre le réfrigérateur à niveau.
- Vérifiez les colmatages, par exemple: bouteilles de vinétageres.

GARANTIE LIMITÉE

Éléments sous garantie et durée de la garantie:

Cette garantie couvre tous les défauts de main-d'œuvre et de matériaux pour une période de:

12 mois pour la main d'oeuvre 12 mois pour les pièces

La garantie prend effet le jour de l'achat de l'article. Le ticket de caisse d'origine doit être présenté au centre de réparation agréé pour toute réparation sous garantie.

EXCEPTIONS: Garantie pour usage commercial ou location.

90 jours pour la main d'œuvre (service en atelier uniquement)

90 jours pour les pièces

Aucune autre garantie n'est applicable

Couverture.

1. Les pièces électriques et mécaniques servant au fonctionnement de l'appareil, pour une période de 12 mois. Ceci comprend l'ensemble des pièces, à l'exception de la finition et des garnitures.

Réparations qui seront effectuées?

1. Nous nous engageons à réparer ou remplacer, à notre discrétion, toute pièce électrique ou mécanique s'avérant défectueuse dans des conditions normales d'utilisation, au cours de la période de garantie spécifiée.
2. L'acheteur ne subira aucun frais pour les pièces et la main-d'œuvre couvertes par la garantie, au cours de la première période de 12 mois.
3. Contacter le centre de réparations agréé le plus proche. Pour obtenir les nom et adresse du centre le plus proche, appeler le 1-877-337-3639.

LES APPAREILS SONT COUVERTS PAR LA GARANTIE SUR LE TERRITOIRE CONTINENTAL DES ETATS-UNIS, À PUERTO RICO ET

AU CANADA:

Les dommages résultant d'une installation incorrecte.

Les dommages survenus pendant le transport. Les défauts ne résultant pas de la fabrication.

Les dommages résultant d'un usage incorrect ou abusif, d'un accident, de modifications, d'un manque d'entretien ou de maintenance, ou d'une tension incorrecte.

Les dommages résultant d'un usage autre que l'usage ménager.

Les dommages résultant d'un entretien ou de réparations par quiconque autre qu'un distributeur ou centre de réparations agréé.

Garnitures décoratives ou ampoules pouvant être remplacées. Transport et Frais d'envoi.

Main d'œuvre (après la période initiale de 12 mois)

CETTE GARANTIE LIMITÉE REMPLACE TOUTE AUTRE GARANTIE EXPRESSE OU IMPLICITE, Y COMPRIS LES GARANTIES DE VALEUR, MARCHANDE OU D'ADÉQUATION A UN USAGE PRÉCIS

Le recours offert dans cette garantie est exclusif et est accordé à l'exclusion de tout autre.

La garantie ne couvrant pas les dommages directs et indirects, les limitations ci-dessus peuvent ne pas s'appliquer à tous les cas. Certains états ne permettant pas la limitation de la durée des garanties implicites, les limitations ci-dessus peuvent ne pas s'appliquer à tous les cas.

Cette garantie confère à l'acheteur des droits spécifiques et celui-ci peut bénéficier d'autres droits qui varient selon les états.

Haier America
New York, NY 10018

PRECAUCIONES DE SEGURIDAD IMPORTANTES

Cuando use este artefacto, ponga siempre en práctica las precauciones de seguridad básicas, incluyendo las siguientes:

1. Lea todas las instrucciones antes de usar el artefacto.
2. Use este artefacto sólo para los usos para los que fue diseñado, según se describe en esta guía de uso y cuidados.
3. Este enfriador de vinos debe ser instalado correctamente conforme a las instrucciones de instalación antes de utilizarlo. Consulte las instrucciones de descarga a tierra en la sección de instalación.
4. Nunca desenchufe su enfriador de vinos jalando del cable de corriente. Siempre agarre con firmeza el enchufe y jale directamente del tomacorriente.
5. Desenchufe su enfriador de vinos antes de limpiarlo o de realizar reparaciones.

Nota: Si por alguna razón este producto necesita reparación, le recomendamos firmemente que el servicio sea realizado por un técnico certificado.

6. Repare o reemplace inmediatamente todos los cables de energía eléctrica que se hayan pelado o que estén dañados de alguna manera. No utilice los cables que tienen grietas o desgaste a lo largo de su extensión, en el enchufe o en el extremo del conector.
7. Este artefacto fue diseñado únicamente para ser empotrado en un gabinete cerrado.
8. Si su enfriador de vinos viejo no está en uso, le recomendamos quitarle la puerta y dejar los estantes en su lugar. Esto reducirá la posibilidad de peligro para los niños.
9. No accione el enfriador de vinos en presencia de humos explosivos.
10. No guarde alimentos en el enfriador de vinos, dado que la temperatura interior puede no ser lo suficientemente fría como para prevenir que se pongan feos o que crezcan bacterias.
11. Los bordes del gabinete en las áreas de embutido/corte pueden tener filo. Evite colocar las manos, los dedos u otras partes del cuerpo cerca de estas áreas.
12. Este artefacto no fue diseñado para que lo utilicen niños pequeños o personas enfermas sin supervisión. Debe supervisarse a los niños pequeños para asegurarse de que no jueguen con el artefacto.

NOTA: La temperatura ambiente de funcionamiento es de entre 55°-90°F.

CONSERVE ESTAS INSTRUCCIONES

PELIGRO

Riesgo de que los niños queden atrapados. Antes de descartar su electrodoméstico viejo, quítele las puertas. Deje los estantes en su lugar así los niños no pueden trepar al interior con facilidad.

CONTENIDOS

PAGE

| | |
|--|-------|
| PRECAUCIONES DE SEGURIDAD IMPORTANTES | 25 |
| PIEZAS Y FUNCIONES | 27 |
| INSTALACIÓN DE SU ENFRIADOR DE VINOS | 28-31 |
| Desembalaje de su enfriador de vinos | 28 |
| Nivelación de su enfriador de vinos | 28 |
| Limitaciones para la instalación | 28 |
| Requisitos eléctricos | 29 |
| Uso de cables de prolongación | 29 |
| Instalación de soporte de fijación | 30 |
| Cómo dar vuelta la puerta | 31-32 |
| FUNCIONES Y USO DE SU ENFRIADOR DE VINOS | 33-34 |
| Configuración inicial | 33 |
| Regulación de la temperatura | 33 |
| Modo Sabbath | 33 |
| Sistema de alarma | 33 |
| Ilustración del almacenamiento de vinos | 34 |
| Conversión "°F/°C" | 34 |
| Estantes | 34 |
| Luz interior | 34 |
| Botón de encendido | 34 |
| Sonidos normales de funcionamiento | 34 |
| CUIDADO Y LIMPIEZA ADECUADOS DEL ENFRIADOR DE VINOS | 35 |
| Limpieza y mantenimiento | 35 |
| Cortes de energía | 35 |
| Cuidado en las vacaciones y las mudanzas | 35 |
| DETECCIÓN Y SOLUCIÓN DE PROBLEMAS | 36 |
| GARANTÍA | 37 |

Gracias por usar nuestro producto Haier. Este manual fácil de usar le guiará para obtener el mejor uso posible de su enfriador de vinos.

Recuerde anotar los números de modelo y de serie. Se encuentran en una etiqueta en la parte posterior del enfriador de vinos.

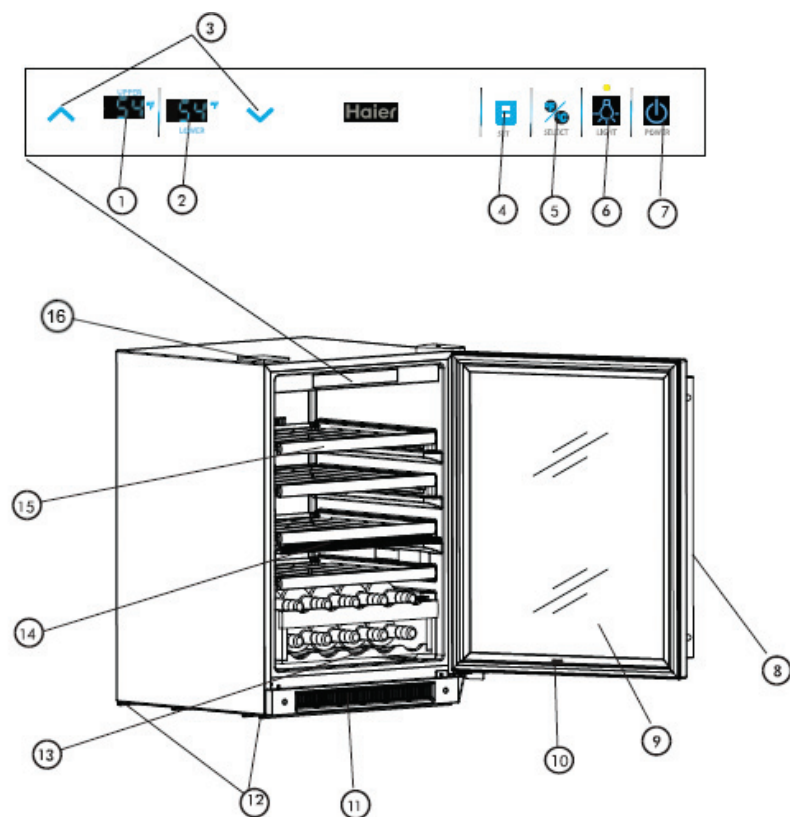
Número de modelo

Número de serie

Fecha de compra

**Abroche su recibo al manual.
Lo necesitará para obtener el servicio de garantía.**

PIEZAS Y FUNCIONES



- | | |
|--|-------------------------------------|
| 1. Indicador luminoso de temperatura - Compartimiento superior | 7. Botón de encendido |
| 2. Indicador luminoso de temperatura - Compartimiento inferior | 8. Manija de puerta |
| 3. Regulación de la temperatura (arriba/abajo) | 9. Puerta de vidrio |
| 4. Botón de configuración de temperatura | 10. Interruptor de la luz |
| 5. Botón C° y F° | 11. Cubierta delantera |
| 6. Botón de luz interior | 12. Patas niveladoras ajustables |
| | 13. Bandeja inferior |
| | 14. Divisor |
| | 15. Deslice bastidores a cabo |
| | 16. Cubierta de la bisagra superior |

INSTALACIÓN DE SU ENFRIADOR DE VINOS

Desembalaje de su enfriador de vinos

1. Quite todos los materiales de empaque. Esto incluye la base y toda la cinta adhesiva que sostiene los accesorios del enfriador de vinos por dentro y por fuera.
2. Revise y quite los restos de embalaje, cinta o materiales impresos antes de enchufar el enfriador.

Nivelación del enfriador de vinos

- El enfriador de vinos tiene cuatro (4) patas niveladoras ubicadas en las esquinas de adelante y de atrás de la unidad. Podrá nivelar el enfriador una vez que lo haya ubicado en su lugar definitivo.
- Las patas niveladoras pueden ajustarse girándolas hacia la derecha para elevar el enfriador de vinos o hacia la izquierda para bajarlo. La puerta del enfriador de vinos se cerrará más fácilmente cuando las patas niveladoras estén extendidas.

Limitaciones para la instalación

- No instale su enfriador de vinos en ningún lugar que no esté correctamente aislado o caldeado, como por ejemplo, en un garaje. Su enfriador de vinos no fue diseñado para funcionar con temperaturas ambiente superiores a los 90° Fahrenheit.
- Seleccione una ubicación adecuada para el enfriador de vinos en una superficie dura y pareja, lejos de la luz directa del sol y de las fuentes de calor, como radiadores, zócalos radiantes, artefactos de cocina, etc. Cualquier desnivel en el piso debe ser corregido con las patas niveladoras.
- Los enfriadores de vinos embutidos deben ventilarse por la parte delantera. De esta manera la unidad puede embutirse en un área cerrada. La parrilla ubicada en la parte inferior delantera debe estar despejada y sin obstrucciones. Esto es absolutamente necesario para que circule el aire y la unidad funcione con eficiencia. Las dimensiones para la instalación son las siguientes (ancho x profundidad x altura).

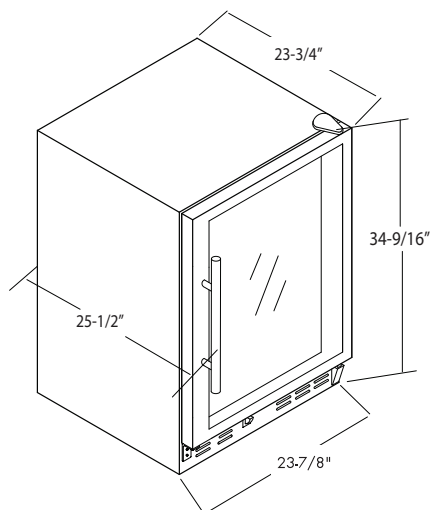
Nota: Retire la cubierta de la bisagra superior antes de instalar el enfriador de vinos empotrado.

Dimensions de l'appareil

| MODELO | Ancho | Profundidad | Altura |
|---------|---------|-------------|----------|
| WC200GS | 23-7/8" | 23-3/4" | 34-9/16" |

Dimensions encastré

| MODELO | Ancho | Profundidad | Altura |
|---------|-------|-------------|--------|
| WC200GS | 24" | 24" | 35" |

**Requisitos eléctricos:**

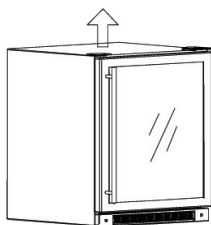
- Asegúrese de contar con un tomacorriente adecuado (tomacorriente de 115 voltios, 15 amperes) con la conexión a tierra adecuada para enchufar el enfriador.
- Evite usar adaptadores de tres clavijas o cortar la clavija de puesta a tierra para adaptar el enchufe a un tomacorriente de dos entradas. Esto constituye una práctica peligrosa, ya que no proporciona una puesta a tierra eficaz para el enfriado de vinos y puede resultar en un peligro de descarga.

Uso de cable de prolongación

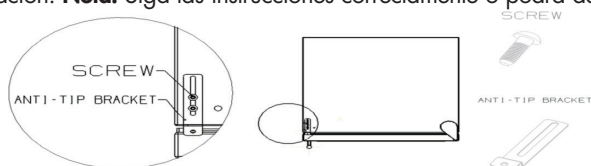
- Evite el uso de un cable de prolongación, por los peligros potenciales ante determinadas condiciones. Si es necesario usar un cable de prolongación, sólo use un cable de tres conductores que tenga un enchufe con puesta a tierra de 3 puntas y un receptáculo con 3 ranuras que coincida con el enchufe del artefacto. Las especificaciones marcadas del cable de prolongación deben ser iguales o mayores a la especificación eléctrica del artefacto.

Instalación de soporte de fijación

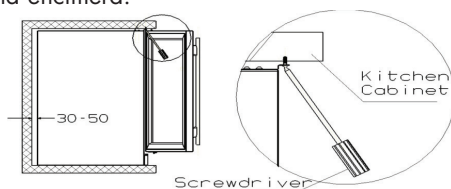
1. Quite la cubierta de la bisagra superior tirando hacia arriba. Consulte la ilustración debajo:



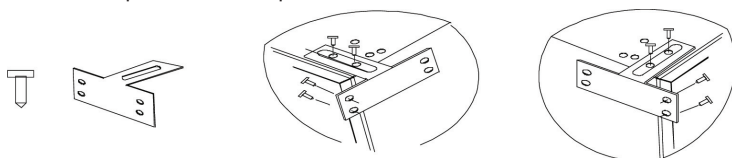
2. Saque el soporte de fijación y los tornillos de la bolsa de accesorios. Ajuste el soporte de fijación en la parte superior del producto con los tornillos como se muestra en la ilustración. **Nota:** Siga las instrucciones correctamente o podrá dañar el producto.



3. Abra la puerta de vidrio y una el soporte de fijación a la encimera con el tornillo como se muestra debajo. Se puede necesitar ajustar las patas niveladoras de la unidad para que quepa bien en la abertura del gabinete. Comience con las patas traseras (si es necesario) antes de deslizar la unidad completamente dentro de la abertura, suba o baje las patas traseras para que la unidad encaje adecuadamente. Luego deslice la unidad cuidadosamente dentro de la abertura para no dañar accidentalmente el mueble o el piso. Luego realice los mismos ajustes a las patas delanteras para que el frente de la unidad esté nivelado al nivel adecuado para instalar el soporte de fijación y que encaje parejo debajo de la encimera.

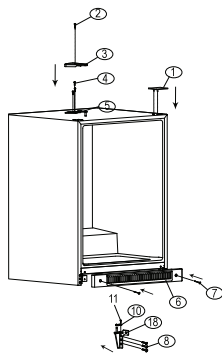


4. Se incluye un set de soportes de fijación para instalación lateral como opción en el caso de que la encimera sea de granito o demasiado dura como para fijar con tornillos. Este set de soportes incluye un soporte y cuatro tornillos para instalación en el lado izquierdo del gabinete cuando la puerta se abre para la izquierda o en el lado derecho del gabinete cuando la puerta se abre para la derecha. Debajo se ilustra el procedimiento de instalación.

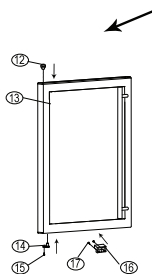
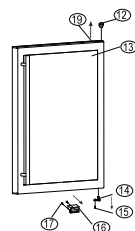
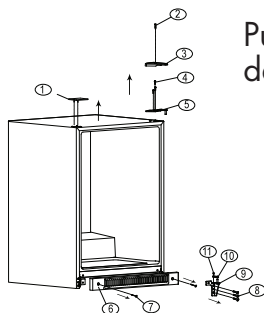


Cómo dar vuelta la puerta

Puerta hacia la izquierda



Puerta hacia la derecha



- | | |
|---|---|
| 1. Cubierta del agujero de la bisagra superior | 11. Separador del tope de la puerta |
| 2. Tapón y tornillos de la cubierta de la bisagra | 12. Separador del agujero superior de la puerta |
| 3. Cubierta de la bisagra superior | 13. Puerta de vidrio |
| 4. Tornillo de la bisagra superior | 14. Sistema para cerrar la puerta |
| 5. Bisagra superior | 15. Tornillo |
| 6. Cubierta delantera (zócalo) | 16. Tornillo del interruptor magnético |
| 7. Tornillo de la cubierta delantera | 17. Interruptor magnético |
| 8. Tornillo de la bisagra inferior | 18. Bisagra izquierda inferior (de repuesto) |
| 9. Bisagra derecha inferior | 19. Tapa para agujeros de tornillos |

Pasos para dar vuelta la puerta

1. Retire el zócalo inferior (cubierta frontal)
2. Retire el tapón de plástico del centro de la cubierta de la bisagra (#3).
3. Retire el tornillo del centro de la cubierta de la bisagra (#2)
4. Retire la cubierta de la bisagra (#3)
5. Retire la cubierta cuadrada de la derecha (#1)
6. Afloje y quite los 3 tornillos de la bisagra superior de la puerta (#4 y #5)
NOTA: Sostenga la puerta mientras afloja y quita la bisagra superior para evitar que la puerta se caiga y se dañe y para prevenir lesiones.
7. Levante la puerta y recuéstela en el piso.
8. Afloje y quite los tornillos que sostienen el tope plástico de la puerta en su lugar (#14 y #15)
9. Retire el separador de plástico del agujero del lado superior derecho de la puerta (#12)
10. Quite la tapa del agujero de tornillo pequeño (#19)
11. Afloje y retire el interruptor magnético de la puerta de la parte inferior central de ella (#16 y #17) y vuelva a colocarlo en la parte superior central de la puerta.
12. Afloje y quite los 4 tornillos que sostienen la bisagra inferior derecha de la puerta en su lugar.
13. Retire la bisagra del lado inferior derecho de la puerta.
14. Afloje y retire los tornillos que sostienen el tope plástico de la puerta unido a la bisagra de la parte inferior derecha de la puerta (#10 y #11).
15. Una y ajuste el tope plástico de la puerta que quitó en el paso 13 con la bisagra de la puerta de la parte inferior izquierda provista en la bolsa de accesorios dentro de la unidad.
16. Una y ajuste la bisagra de la puerta de la parte inferior izquierda con la unidad utilizando los tornillos que quitó en el paso 8.
17. Tome la puerta de forma tal que la manija quede del lado derecho como se ubica enfrentada a usted en posición horizontal en el piso.
18. Introduzca el separador de plástico de la puerta que quitó en el paso 9 en el agujero superior izquierdo de la puerta.
19. Una el tope de plástico de la puerta que quitó en el paso 8 con la puerta.
20. Alinee el agujero izquierdo inferior de la puerta con el pasador de la bisagra inferior izquierda de la puerta.
21. Deslice en su lugar con suavidad.
22. Tome la bisagra superior de la puerta que quitó en el paso 6.
23. Alinee el pasador de la bisagra superior de la puerta con el agujero en la parte izquierda superior de la puerta.
24. Tome los 3 tornillos que quitó en el paso 6, colóquelos en los agujeros para tornillos de la unidad y ajuste. Nota: No ajuste completamente aún.
25. Asegúrese de que la parte superior de la puerta esté nivelada con respecto a la parte superior del gabinete.
26. Una vez que esté nivelada, ajuste completamente los tornillos que sostienen la bisagra superior de la puerta en su lugar.
27. Vuelva a colocar la cubierta de la bisagra superior que quitó en el paso 4.
28. Ajuste la cubierta de la bisagra a la unidad con el tornillo que quitó en el paso 3.
29. Vuelva a ubicar el tapón de la cubierta del tornillo que quitó en el paso 2.
30. Vuelva a ubicar la cubierta cuadrada que quitó en el paso 5 para cubrir los agujeros de los tornillos de la derecha.
31. Vuelva a ubicar la tapa del agujero de tornillo pequeño que quitó en el paso 10.
32. Una y ajuste el zócalo inferior (cubierta delantera) con la unidad utilizando los tornillos que quitó en el paso 1.

Funciones y uso del enfriador de vinos

Configuración inicial

Una vez que haya enchufado la unidad en el tomacorriente, antes de realizar cualquier ajuste, deje que la unidad funcione por al menos 30 minutos para que se climatice. El visor LED mostrará la temperatura interna del momento.

Regulación de la temperatura consulte la figura #1

- Los compartimientos del enfriador de vinos pueden configurarse a distintas temperaturas para satisfacer sus necesidades de almacenamiento de vinos. El rango de control de temperatura en el compartimiento superior es 50°F-65°F, en el compartimiento inferior es 43°F-65°F. Para configurar la temperatura, mantenga presionado el botón "Set" (Configurar) durante aproximadamente 3 segundos. Notará que el visor de la temperatura destellará para el compartimiento superior. Presione el botón \wedge o \vee para subir o bajar la temperatura. Cuando logre la temperatura deseada, presione el botón "set" (configurar). Al hacerlo, el panel de control electrónico memorizará la configuración. El visor de la temperatura volverá a mostrar la temperatura interior. Llevará algo de tiempo llegar a la temperatura fijada.
- Cuando la temperatura esté configurada para el compartimiento superior, notará que el visor de la temperatura destellará en el caso del compartimiento inferior. Presione nuevamente el botón \wedge o \vee para subir o bajar la temperatura. Cuando logre la temperatura deseada, presione el botón "set" (configurar). Al hacerlo, el panel de control electrónico memorizará la configuración. El visor de la temperatura volverá a mostrar la temperatura interior. Llevará algo de tiempo llegar a la temperatura fijada.



Modo Sabbath

Presione y mantenga presionado \wedge y \vee a la vez durante 3 segundos, el timbre sonará una vez, la pantalla destellará 5 veces y se apagará. Esto indica que la unidad ingresó al modo Sabbath. En este modo, las funciones de enfriamiento normales siguen llevándose a cabo (compresor, válvula magnética, ventilador), pero todo el equipamiento luminoso, incluso la pantalla y la lámpara LED, permanecerá apagado independientemente de que la puerta se abra o se cierre. Presione y mantenga presionado \wedge y \vee a la vez durante 3 segundos, una vez que la pantalla destella 5 veces, sale del modo Sabbath.

Sistema de alarma

Alarma de puerta entreabierta - Si se mantiene la puerta abierta por mucho tiempo afectando demasiado la temperatura, el sistema hará sonar una alarma, si desea pararla, presione el botón "SET".

A continuación aparece una ilustración de botellas de vino de 48-78mm. Puede variar según el tamaño y la forma de la botella. **NOTA:** Sólo con propósitos ilustrativos.

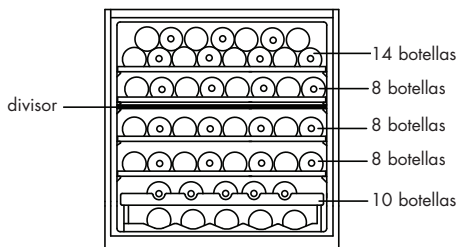


fig. #3

Conversión “°F/°C”

Mantenga presionado “°F/°C” por 3 segundos, la temperatura mostrada en grados Fahrenheit y el símbolo °F convertirá la temperatura en grados Celsius y el símbolo “°C”. Mantenga presionado “°F/°C” por 3 segundos nuevamente, la temperatura en Celsius y el símbolo “°C” convertirá la temperatura en grados Fahrenheit y el símbolo “°F”.

Estantes

- Los estantes fueron diseñados para brindarle una mejor apariencia y para que sea fácil lavarlos. Las botellas más grandes o Magnum pueden ubicarse más fácilmente en los estantes transversales de la parte inferior del enfriador.
- Cuenta con 5 estantes deslizables para que guardar y sacar sus vinos sea más fácil.
- Puede ubicar una botella de vino sin terminar inclinada en los estantes inferiores.
- Las terminaciones de madera sin revestimiento son teñibles para adaptarse a su decoración.

Luz interior

- Para complementar la apariencia de su colección de vinos, se ha incorporado una luz suave al enfriador. Simplemente pulse el botón "Light" (Luz) para que se encienda la luz, púlselo nuevamente para apagarla. Para un mayor cuidado de la energía, deje la luz apagada cuando no esté observando su colección.
- Cuando la puerta esté abierta, la luz se encenderá. Cuando se cierre la puerta, la luz se apagará.

Botón de encendido

- Puede desconectar la energía del enfriador de vinos cuando no está en uso presionando el botón “Power” (Encendido) durante 3 segundos. De esta manera, se apagará el compresor, la válvula electromagnética y la pantalla. También puede encenderse nuevamente presionando el botón “Power” (Encendido) rápidamente. La luz del interior del enfriador de vinos se encenderá si abre la puerta cuando apague la unidad, para su comodidad.

Ruidos de funcionamiento normal que puede oír

- Los sonidos como de gorgoteo o de agua hirviendo o las vibraciones leves son el resultado del refrigerante que circula por los serpentines refrigeradores.
- El control del termostato hará clic cuando empieza o termina un ciclo.

LIMPIEZA Y CUIDADO ADECUADOS DEL ENFRIADOR DE VINOS

Limpieza y mantenimiento

Advertencia:

Para evitar descargas eléctricas, desenchufe siempre el enfriador de vinos antes de limpiarlo. Ignorar esta advertencia puede ocasionar lesiones personales o la muerte.

Precaución:

Antes de utilizar productos de limpieza, lea y siga siempre las instrucciones del fabricante así como también las advertencias para evitar lesiones personales y daños al producto.

General:

- Prepare una solución de limpieza con 3 o 4 cucharadas de bicarbonato de sodio mezcladas con agua tibia. Utilice una esponja o paño suave humedecido en la solución de limpieza para limpiar su enfriador de vinos.
- Enjuague con agua limpia y tibia y seque con un paño suave.
- No utilice productos químicos fuertes, abrasivos, amoníaco, blanqueador con cloro, detergentes concentrados, solventes o esponjas de metal texturizado. Algunos de estos productos químicos pueden disolver, dañar o desteñir el climatizador de vinos.

Juntas de la puerta:

- Limpie las juntas de la puerta cada tres meses según lo que se especifica en las instrucciones generales. Las juntas deben mantenerse limpias y flexibles para garantizar que el cierre sea hermético.
- Si se aplica vaselina suavemente a las juntas del lado de las bisagras, éstas se mantendrán flexibles y se asegurará que el cierre sea hermético.

Cortes de energía

- Ocasionalmente, puede haber cortes de energía debido a tormentas eléctricas u otras causas. Desenchufe el cable de alimentación del tomacorriente de corriente alterna cuando haya un corte de energía. Una vez que se restablezca la energía, vuelva a enchufar el cable de alimentación en el tomacorriente de corriente alterna.

Cuidados durante las vacaciones y las mudanzas

- Durante las vacaciones o ausencias prolongadas, desenchufe el enfriador de vinos y vacíelo. Limpie la unidad y las juntas de las puertas de acuerdo con la sección "Limpieza general". Póngales un tope a las puertas para que queden abiertas, de forma tal que el aire pueda circular en el interior de la unidad.
- Cuando mueva el enfriador de vino, siempre hágalo en posición vertical. No lo mueva en posición horizontal, dado que pueden producirse daños al sistema de sellado.

Nota: Después de mover la unidad, espere 24 horas antes de enchufarla.

VERIFICATION DE PROBLEMAS

El Refrigerador de Vino no Funciona:

- Revise que el refrigerador del vino esté conectado.
- Revise que haya corriente eléctrica en el tomacorriente de corriente alterna, revisando el interruptor de circuito.

El Vino Aparece Demasiado Caliente:

- Apertura constante de la puerta.
- Dé un plazo de la hora para el vino recientemente agregado de alcanzar temperatura deseada.
- Revise que los empaques estén bien sellados.
- Limpie la cubierta delantera.
- Ajuste el control de temperatura al ajuste más frío.

El Vino Aparece Demasiado Frío:

- Si la configuración del control de la temperatura es demasiado fría, ajuste a una configuración más caliente.

Acumulación de humedad en el interior o exterior del refrigerador del vino:

- Esto es normal durante periodos de alta humedad.
- Apertura constante o prolongada de la puerta.
- Revise que los empaques de la puerta estén bien sellados.

La puerta del refrigerador del vino no funciona:

- Nivele el refrigerador del vino.
- Controle para saber si hay obstrucciones tales como botellas y estantes del vino.

GARANTIA LIMITADO

¿Qué está cubierto y por cuánto tiempo?

Esta garantía cubre cualquier defecto en la manufactura o empleo de materiales por un plazo de:

12 meses de mano de obra 12 meses en componentes

La garantía comienza en la fecha de compra del artículo, y la factura original de compra debe presentarse al centro de servicio autorizado para poder efectuar cualquier reparación que esté bajo garantía

EXCEPCIONES: Garantía por Uso Comercial o Bajo Arrendamiento

90 meses en mano de obra (únicamente en taller)

90 días en componentes

Ninguna otra garantía es válida

¿Qué está cubierto?

1. Los componentes mecánicos y eléctricos que cumplen con alguna función de este aparato durante un plazo de 12 meses. Esto incluye cualquier componente con excepción de acabados y molduras.

¿Qué se hará?

1. Repararemos o reemplazaremos, a discreción nuestra, cualquier componente mecánico o eléctrico que se muestre defectuoso por uso normal durante el plazo así especificado.
2. No habrá cargos para el comprador por las partes y la mano de obra en cualesquier artículos cubiertos durante el periodo inicial de 12 meses.
3. Localice su centro de servicio autorizado más cercano. Para conocer el nombre del centro de servicio más próximo a su domicilio, por favor llame al 1-877-337-3639 (Válido solo en E.U.A.).

ESTA GARANTIA CUBRE APARATOS DENTRO DEL TERRITORIO CONTINENTAL DE LOS ESTADOS UNIDOS, PUERTO RICO Y CANADA.

Daños por instalación inadecuada

Daños por transportación.

Defectos que no sean por manufactura

Daños por negligencia, abuso, accidente, alteración, falta de cuidado adecuado y de mantenimiento, o conexión a tensión eléctrica incorrecta.

Daños que no sean por uso doméstico.

Daños por servicio que no sea proporcionado a través de un distribuidor o centro de servicio autorizado. Molduras decorativas o focos reemplazables.

Envío y transportación.

Mano de obra (después de los primeros 12 meses).

ESTA GARANTIA LIMITADA ES PROVISTA EN SUSTITUCION A CUALQUIER OTRA GARANTIA EXPRESADA O QUE IMPLIQUE LAS GARANTIAS MERCANTILES SUJETAS A CIERTO PROPOSITO.

El amparo provisto por esta garantía es de uso exclusivo y se otorga en sustitución a cualquier otro amparo.

Esta garantía no cubre daños incidentales o sus derivados, por lo que las anteriores restricciones pueden serle ajenas. En ciertos estados no se permiten restricciones en lo que se refiere a la duración implícita de una garantía, por lo que las anteriores restricciones pueden serle ajenas.

Esta garantía le otorga ciertos derechos legales y es posible que usted goce de otros derechos, los cuales varían de estado a estado.

Haier America
New York, NY 10018

IMPORTANT

Do Not Return This Product To The Store

If you have a problem with this product, please contact
the "Haier Customer Satisfaction Center" at 877.337.3639.
DATED PROOF OF PURCHASE REQUIRED FOR WARRANTY SERVICE

IMPORTANT

Ne pas Réexpédier ce Produit au Magasin

Pour tout problème concernant ce produit, veuillez contacter le service des
consommateurs "Haier Customer Satisfaction Center" au 1-877-337-3639.
UNE PREUVE D'ACHAT DATEE EST REQUISE POUR BENEFICIER DE LA GARANTIE

IMPORTANTE

No regrese este producto a la tienda

Si tiene algún problema con este producto, por favor contacte
el "Centro de Servicio al Consumidor de Haier" al
1-877-337-3639 (Válido solo en E.U.A).
NECESITA UNA PRUEBA DE COMPRA FECHADA PARA EL SERVICIO DE LA GARANTIA

Haier®

Made in China
Fabriqué en Chine
Hecho en China

Haier America
New York, NY 10018

Printed in China