



TERA10 HE

10.1" TFT

TERA12 HE

12.1" TFT

ADVANCED DISPLAY



TERA10 HE & TERA12 HE

10.1" TFT DISPLAY & 12.1" TFT DISPLAY

TERA10 HE e TERA12 HE sono i display più avanzati nel mercato off-highway. Utilizzano il processore NXP i.MX6 (TM), che unisce le caratteristiche di multimedialità avanzata a gestione grafica. Permettono grafica 3D, velocità superiore, display multitouch capacitivi e look stile tablet, sempre avendo come base di progetto gli standard industriali. TERA10 HE e TERA12 HE possono essere installati sia ad incasso che a sbalzo tramite supporto specifico

TERA10 HE and TERA 12 HE are the high end display solution for off- highway market. They use a NXP i.MX6 (TM) processor, that join strong multimedia capabilities and graphics management.

They allow 3D graphics, multitouch capacitive touchscreen, tablet-style looking, always keeping the industrial standards as base of design.

TERA10 HE and TERA 12 HE can be installed both indash and outdash with their specific articulated supports



CAN J1939
ISOBUS - ISO11783



APPLICAZIONI

- Gru telescopiche o a traliccio di grandi dimensioni
- Gru portuali
- Compattatori e macchine municipali
- Macchine da fondazione e scavo
- Terminal ISOBUS UT per trattori agricoli
- Mezzi anti-incendio

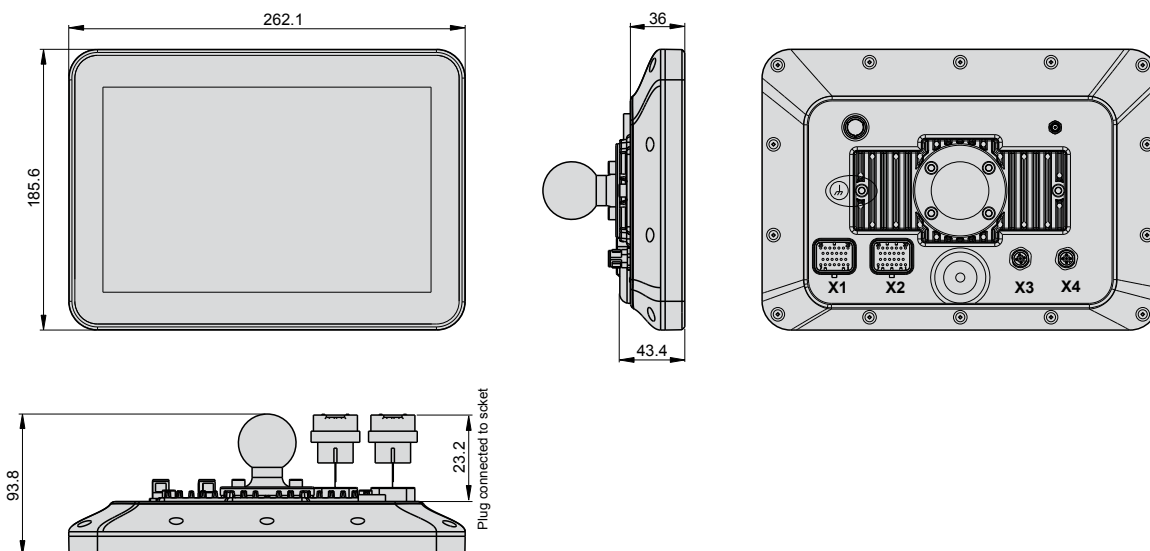
APPLICATIONS

- High size telescopic or lattice boom cranes
- Harbor cranes
- Compactors and municipalities
- Foundation machines
- Terminal ISOBUS UT for tractors
- Fire fighting machines

TERA10 HE NO KEYS



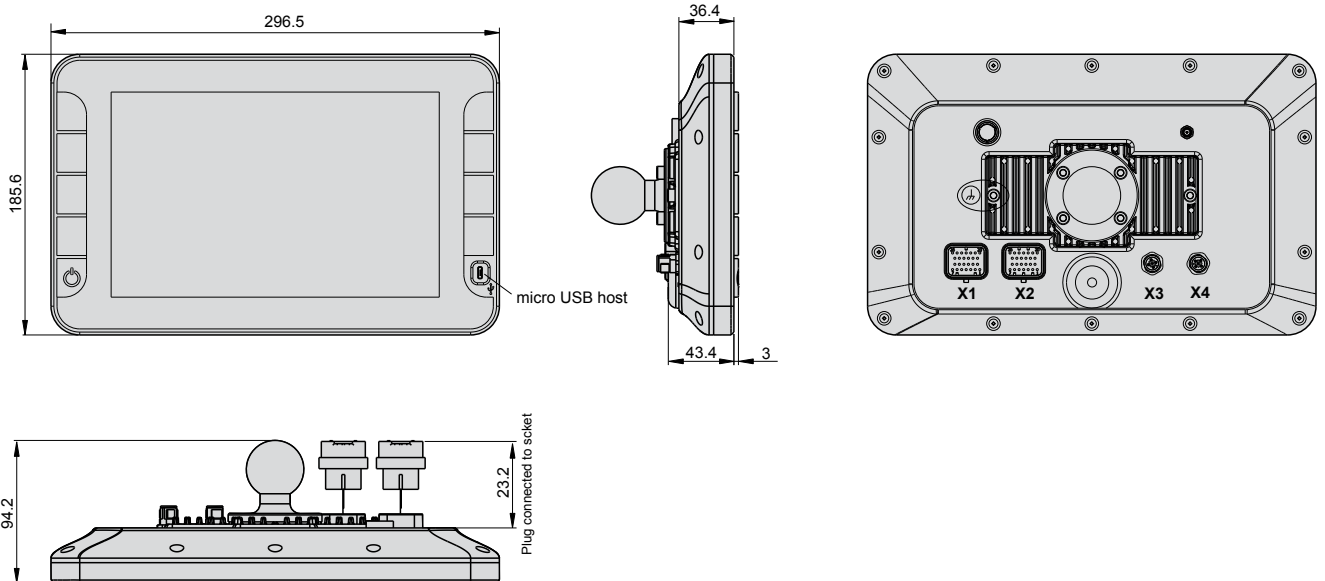
Codice ordinazione <i>Purchase code</i>	Touchscreen	Tasti Keys	Specs	Fissaggio <i>Fixing</i>	Pkg Q.ty
1083500	X	-	HIGH	OUTDASH	1
1085946	X	-	HIGH	INDASH	1



TERA10 HE KEYS



Codice ordinazione <i>Purchase code</i>	Touchscreen	Tasti Keys	Specs	Fissaggio <i>Fixing</i>	Pkg Q.ty
1083501	X	9	HIGH	OUTDASH	1
1085947	X	9	HIGH	INDASH	1





SPECIFICHE TECNICHE

	HIGH
Alimentazione	8 - 32 V
Temperatura di funzionamento	- 30°C + +70°C
Grado di protezione	IP65
Processore	NXP i.MX6 Dual Core ARM Cortex-A9, 32 bit
Frequenza	800Mhz
Memoria interna	8 GB Flash
RAM	1 GB
Display	TFT 10.1", 1280 x 800 pixels, 850 cdm, 800:1 rapp. Contrasto
Display Mode	16:10, Portrait/Landscape
Visibilità al sole	Si
Touchscreen	Multitouch capacitivo con tecnologia bonding (funzionamento con guanti)
RTC	Si
Wake up mode	Alimentazione, messaggio CAN, ingresso chiave
Tempo di boot	5 sec da cold boot
Sensore temperatura interna	Si
Accelerometro/Giroscopio	Si
Tasti	4+4 tasti frontali, 1 tasto programmabile come ON/OFF (VERSIONE KEYS)
Buzzer	93 dB, volume regolabile
Porte CAN BUS	4
RS232	1 port full modem 1 port Linux Terminal
Porte USB	1 HOST esterna (VERSIONE KEYS) 2 HOST su connettore 1 OTG Device su connettore
Video Input	4 PAL/NTSC in contemporanea Video over IP
Ethernet	1 port 10/100
Audio	1 Audio input 1 Audio output (non amplificato)
GPS	1 ricevitore con antenna esterna (3 mt precisione)
Bluetooth	Si
Wi-Fi	Si
Lista I/O	4 ingressi analogici/digitali RPM 2 uscite Low/High Side 1A 1 uscita Low Side 0.5A
Connettori	2 x AMP automotive 26 pin (segnali) 2 x M12 8 pin (video camera)
Sistema operativo	Linux embedded
Standards	EMC industrial, automotive, agricolo ISO 11783 (ISOBUS UT+TC)
Linguaggi di programmazione	C, C++, QT/QML
Programming IDE	VT3, QT CREATOR





TECHNICAL SPECIFICATIONS

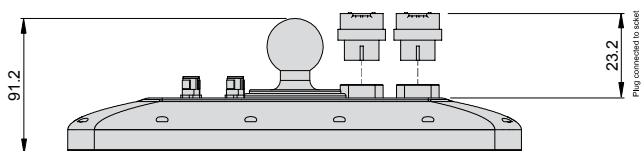
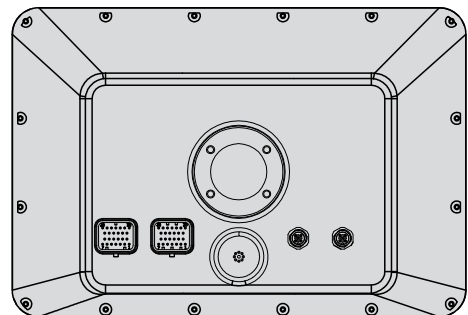
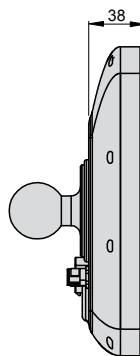
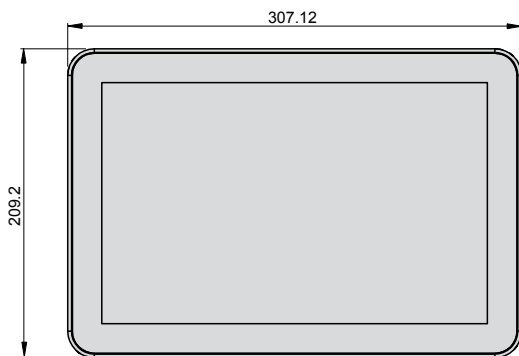
	HIGH
Power supply	8 - 32 V
Operative temperature	- 30°C ÷ +70°C
Sealing degree	IP65
Main CPU	NXP i.MX6 Dual Core ARM Cortex-A9, 32 bit
Frequency	800Mhz
Internal memory	8 GB Flash
RAM	1 GB
Display	TFT 10.1", 1280 x 800 pixels, 850 cdm, 800:1 contrast ratio
Display Mode	16:10, Portrait/Landscape
Sun readability	Yes
Touchscreen	Capacitive multitouch with bonding technology (gloves compatible)
RTC	Yes
Wake up mode	Power supply, CAN message, ignition key
Boot time	5 sec from cold boot
Internal temperature sensor	Yes
Internal accelerometer /gyroscope	Yes
Keys	4+4 softkeys on front panel, 1 softkey programmable also as ON/OFF (KEYS VERSION)
Buzzer	93 dB, volume adjustable
CAN BUS ports	4
RS232	1 port full modem 1 port Linux Terminal
USB ports	1 HOST external (KEYS VERSION) 2 HOST on connector 1 OTG Device on connector
Video Input	4 PAL/NTSC simultaneous Video over IP
Ethernet	1 port 10/100
Audio	1 Audio input port 1 Audio output port (not amplified)
GPS	1 receiver with integrated antenna (3 mt accuracy)
Bluetooth	Yes
Wi-Fi	Yes
I/O List	4 analog/digital Inputs RPM 2 Outputs Low/High Side 1A 1 Output Low Side 0.5A
Connector	2 x AMP automotive 26 pin (signal) 2 x M12 8 pin (video camera)
Operating System	Linux embedded
Standards	EMC industrial, automotive, agriculture ISO 11783 (ISOBUS UT+TC)
Programming languages	C, C++, QT/QML
Programming IDE	VT3, QT CREATOR



TERA12 HE NO KEYS



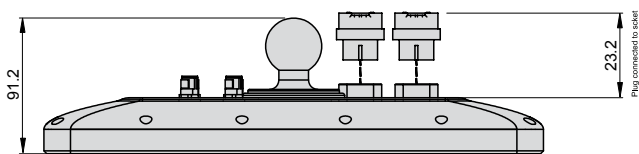
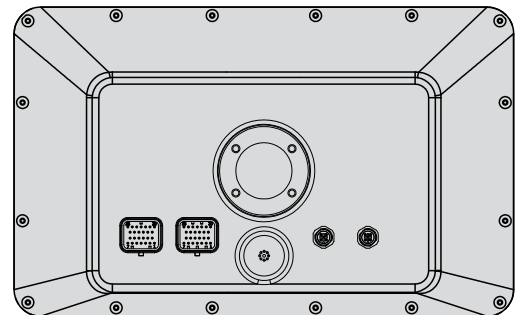
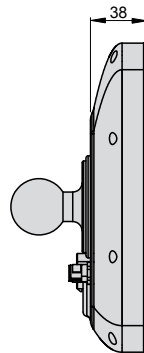
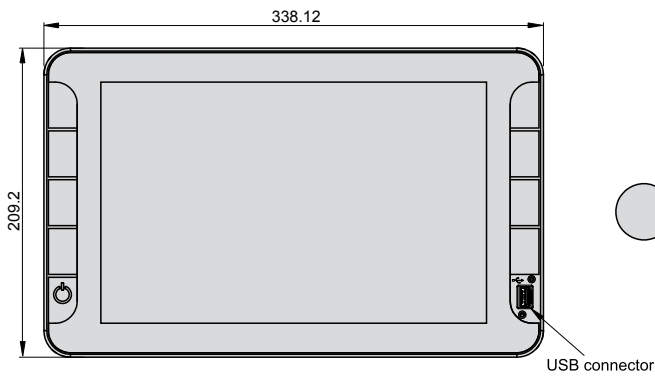
Codice ordinazione <i>Purchase code</i>	Touchscreen	Tasti Keys	Specs	Fissaggio <i>Fixing</i>	Pkg Q.ty
1084268	X	-	HIGH	OUTDASH	1
1083586	X	-	HIGH	INDASH	1



TERA12 HE KEYS



Codice ordinazione <i>Purchase code</i>	Touchscreen	Tasti Keys	Specs	Fissaggio <i>Fixing</i>	Pkg Q.ty
1084269	X	9	HIGH	OUTDASH	1
1083588	X	9	HIGH	INDASH	1





SPECIFICHE TECNICHE

	HIGH
Alimentazione	8 - 32 V
Temperatura di funzionamento	- 30°C + +70°C
Grado di protezione	IP65
Processore	NXP i.MX6 Dual Core ARM Cortex-A9, 32 bit
Frequenza	800Mhz
Memoria interna	8 GB Flash
RAM	1 GB
Display	TFT 12.1", 1280 x 800 pixels, 500 cdm, 750:1 rapp. Contrasto
Display Mode	16:10, Portrait/Landscape
Visibilità al sole	Si
Touchscreen	Multitouch capacitivo con tecnologia bonding (funzionamento con guanti)
RTC	Si
Wake up mode	Alimentazione, messaggio CAN, ingresso chiave
Tempo di boot	5 sec da cold boot
Sensore temperatura interna	Si
Accelerometro/Giroscopio	Si
Tasti	4+4 tasti frontali, 1 tasto programmabile come ON/OFF (VERSIONE KEYS)
Buzzer	93 dB, volume regolabile
Porte CAN BUS	4
RS232	1 port full mode 1 port Linux Terminal
Porte USB	1 HOST esterna (VERSIONE KEYS) 2 HOST su connettore 1 OTG Device su connettore
Video Input	4 PAL/NTSC in contemporanea Video over IP
Ethernet	1 port 10/100
Audio	1 Audio input 1 Audio output (non amplificato)
GPS	1 ricevitore con antenna esterna (3 mt precisione)
Bluetooth	Si
Wi-Fi	Si
Lista I/O	4 ingressi analogici/digitali RPM 2 uscite Low/High Side 1A 1 uscita Low Side 0.5A
Connettori	2 x AMP automotive 26 pin (segnali) 2 x M12 8 pin (video camera)
Sistema operativo	Linux embedded
Standards	EMC industrial, automotive, agricolo ISO 11783 (ISOBUS UT+TC)
Linguaggi di programmazione	C, C++, QT/QML
Programming IDE	VT3, QT CREATOR





TECHNICAL SPECIFICATIONS

	HIGH
Power supply	8 - 32 V
Operative temperature	- 30°C ÷ +70°C
Sealing degree	IP65
Main CPU	NXP i.MX6 Dual Core ARM Cortex-A9, 32 bit
Frequency	800Mhz
Internal memory	8 GB Flash
RAM	1 GB
Display	TFT 12.1", 1280 x 800 pixels, 500 cdm, 750:1 contrast ratio
Display Mode	16:10, Portrait/Landscape
Sun readability	Yes
Touchscreen	Capacitive multitouch with bonding technology (gloves compatible)
RTC	Yes
Wake up mode	Power supply, CAN message, ignition key
Boot time	5 sec from cold boot
Internal temperature sensor	Yes
Internal accelerometer /gyroscope	Yes
Keys	4+4 softkeys on front panel, 1 sofkey programmable also as ON/OFF (KEYS VERSION)
Buzzer	93 dB, volume adjustable
CAN BUS ports	4
RS232	1 port full modem 1 port Linux Terminal
USB ports	1 HOST external (KEYS VERSION) 2 HOST on connector 1 OTG Device on connector
Video Input	4 PAL/NTSC simultaneous Video over IP
Ethernet	1 port 10/100
Audio	1 Audio input port 1 Audio output port (not amplified)
GPS	1 receiver with integrated antenna (3 mt accuracy)
Bluetooth	Yes
Wi-Fi	Yes
I/O List	4 analog/digital Inputs RPM 2 Outputs Low/High Side 1A 1 Output Low Side 0.5A
Connector	2 x AMP automotive 26 pin (signal) 2 x M12 8 pin (video camera)
Operating System	Linux embedded
Standards	EMC industrial, automotive, agriculture ISO 11783 (ISOBUS UT+TC)
Programming languages	C, C++, QT/QML
Programming IDE	VT3, QT CREATOR



GERMANY



COBO DEUTSCHLAND GmbH
Zum Schürmannsgraben, 12E
D-47441 - Moers
Germany
Phone: +49 (0) 2841 88238 0
Fax: +49 (0) 2841 88238 23
E-mail: info@cobogroup.net
Web Site: www.cobo-deutschland.com

FRANCE



COBO FRANCE Sarl
Allée de l'Europe, 2 - Zone Coriolis
71210 - Ecuisses
France
Phone: +33 (0) 3 857 30560
Fax: +33 (0) 3 857 85606
E-mail: info@cobogroup.net
Web Site: www.cobofrance.com

NORTH AMERICA



COBO USA Ltd
West Division Street, 304
52655 - West Burlington
Iowa - Usa
Phone: +1 319 754 5585
Fax: +1 319 754 8724
E-mail: info@cobogroup.net
Web Site: www.cobointernational.com

LATIN AMERICA



COBO COMPONENTES AGR. E IND. Ltda
Rua Dona Francisca, 8300 - Bloco 9-C
89219-600 Zona Industrial - Joinville
Santa Catarina - Brasil
Phone: +55 47 3305 0095
E-mail: info@cobogroup.net
Web Site: www.cobogroup.net

OCEANIA



COBO OCEANIA Ltd
Maiella Street, 4/12
4207 Stapylton - Brisbane
Queensland - Australia
Phone: +61 (0) 7 3807 4866
Fax: +61 (0) 7 3807 6780
E-mail: info@cobogroup.net
Web Site: www.cobo.com.au

SOUTH-EAST ASIA



COBO ASIA Ltd
Heung Yip Road, 2 - One Island South
622 6/F Unit - Wong Chuk Hang
Hong Kong
Phone: +852 3590 3588
Fax: +852 3590 3566
E-mail: info@cobogroup.net
Web Site: www.cobogroup.net

CHINA



COBO GUANGZHOU Ltd
Qiaotou Street, 226 - Beishan - Haizhu
51000 - Guangzhou
People's Republic of China
Phone: +86 20 8922 5611
Fax +86 20 8922 5635
E-mail: info@cobogroup.net
Web Site: www.cobochina.cn

INDIA



COBO INDIA Branch Office
Mathura Road, 13/6 - 2nd floor, 205
121003 NH-2 - Faridabad
Haryana - India
Phone: +91 129 4871206
Email: info@cobogroup.net
Web Site: www.cobogroup.net



C.O.B.O. SpA
Via Tito Speri, 10
25024 Leno (Brescia) ITALY
Phone +39 030 90451
Fax +39 030 9045330



info@cobogroup.net | www.cobogroup.net

Le informazioni contenute nella presente informativa hanno scopo puramente indicativo.
L'Azienda si riserva senza preavviso il diritto di apportare qualsiasi modifica tecnica del prodotto.
The information published in this catalogue is purely indicative. The Company reserves the right to introduce all technological changes of the present product at any time and without prior notice.