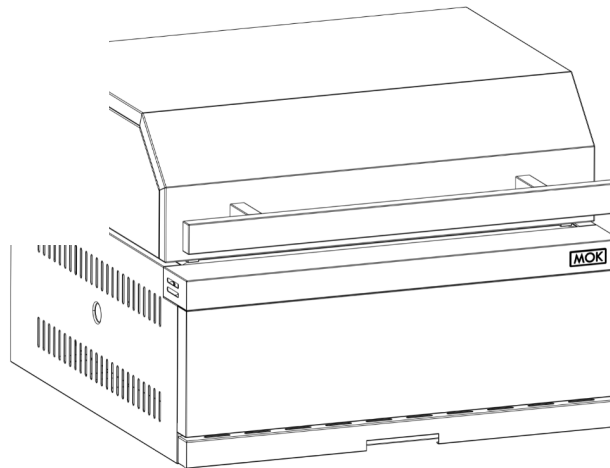


USER MANUAL AND INSTALLATIONS INSTRUCTION



MODEL:

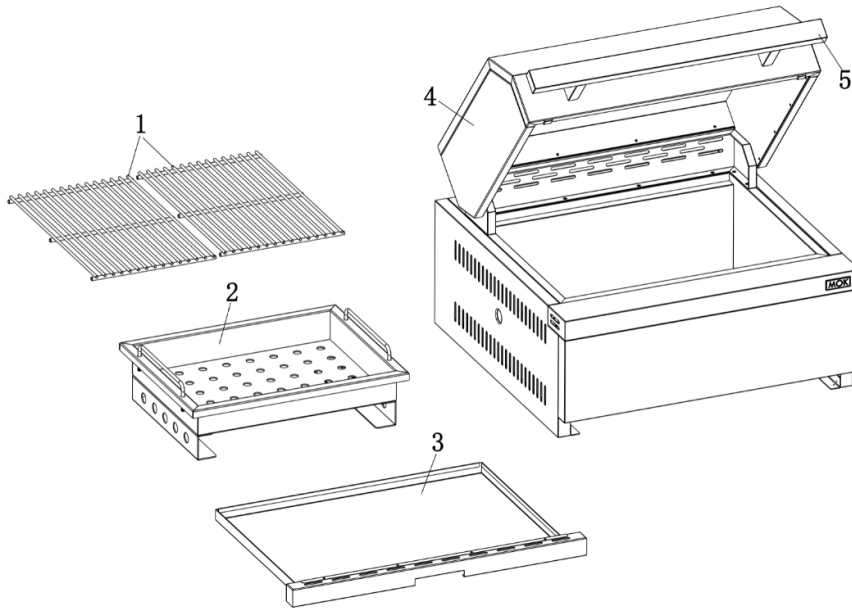
SUNC-SLC7959SS/

SUNC-SLC7971BLACK

CAUTION

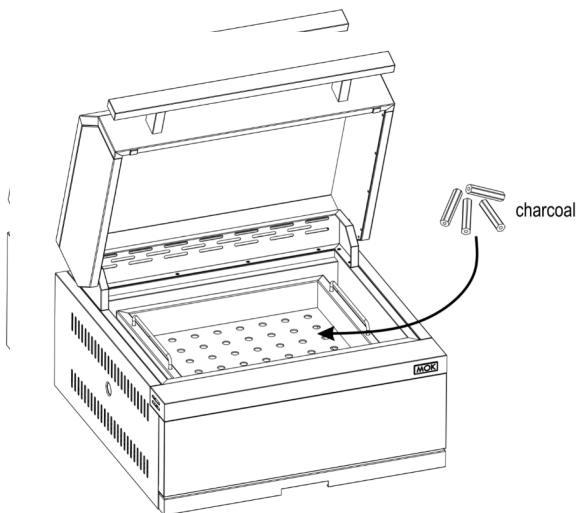
- The max fuel load : 2kg
- When you need to touch the hot parts during cooking (like air vents), you must use the protective gloves to protect yourself.
- The barbecue shall be heated up and the fuel kept red hot for at least 30 min prior to the first cooking."
- Do not cook before the fuel has a coating of ash
- WARNING! This barbecue will become very hot, do not move it during operation
- Do not use indoors!
- WARNING! Do not use spirit or petrol for lighting or re-lighting!
- Use only firelighters complying to EN 1860-3!"
- WARNING! Keep children and pets away
- Do not use the barbecue in a confined and/or habitable space e.g. houses, tents, caravans, motorhomes, boats. Danger of carbon monoxide poisoning fatality.

Expanded view

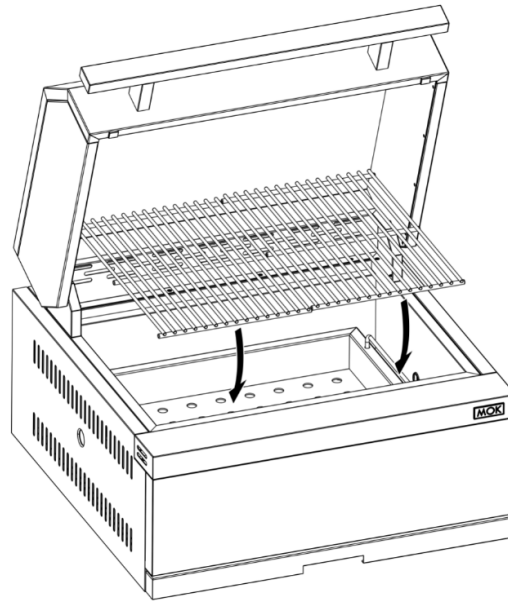


ASSEMBLY

Place the Charcoal basket , the charcoal needs to be put in this basket.



Place the cooking grid



Place the grease tray

