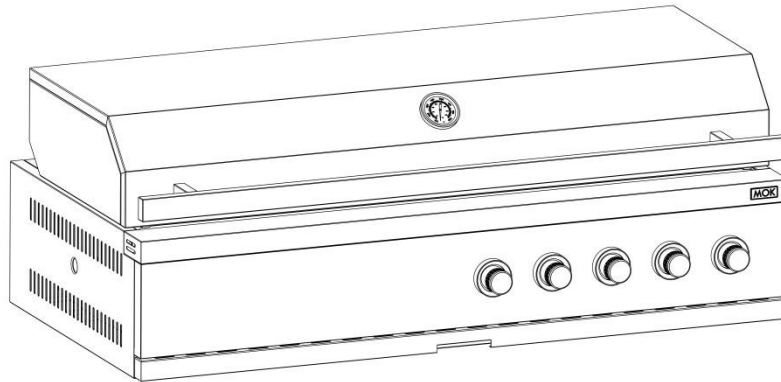
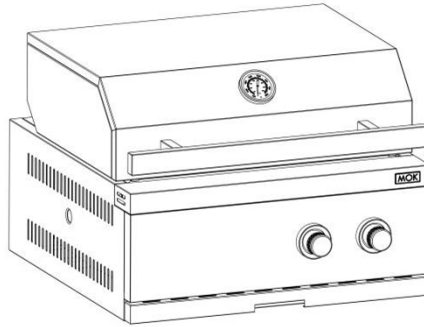




User Manual & Installation Instructions



OUTDOOR BARBECUE GAS GRILL

Models:

HH200-F, SUNC-SLG2B-7960SS, SUNC-SLG2B-7981SS-GER,
SUNC-SLG2B-7972BLACK, SUNC-SLG2B-7984BLACK-GER

HH500-F, SUNC-SLG5B-7961SS, SUNC-SLG5B-7982SS-GER,
SUNC-SLG5B-7973BLACK, SUNC-SLG5B-7985BLACK-GER

- USE OUTDOOR ONLY.
- READ THE INSTRUCTIONS BEFORE USING THE APPLIANCE.
- WARNING: ACCESSIBLE PARTS MAY BE VERY HOT. KEEP YOUNG CHILDEN AWAY.
- THIS APPLIANCE MUST BE KEPT AWAY FROM FLAMMABLE MATERIALS DURING USING.
- TURN OFF THE GAS SUPPLY AT THE GAS CYLINDER AFTER USING.

PLEASE DO

- Use spanner to tighten all gas fittings.
- Check all gas hose and line connection for damage, cuts or cracks each time for using the appliance.
- Always leak test with soapy water.
- Check all burners regularly for insect nets such as spiders, ants, etc. Nets are dangerous and need to be fully cleaned.
- Have the gas cylinder filled by an authorized gas supplier.
- Always wear protective gloves when handling hot component.
- Clean and maintain the appliance after each using.
- USE grill at least 1.0 m from any wall or surface, combustible material, gasoline, flame liquids or vapors.
- "Burning off" the barbecue after every use (for approx 15 minutes) will keep excessive food residue to a minimum.

PLEASE DO NOT

- Lean over appliance when lighting.
- Store combustible material, gasoline or flammable liquids or vapors within vicinity of appliance.
- Use appliance with any cover on.
- Use plastic or glass utensils on the appliance.
- Use the appliance in strong winds.
- Dismantle control valves.
- Test for gas leaks with a naked flame.
- Store spare gas cylinders in the cabinet.
- Lay the gas cylinder down (always keep upright).
- Use appliance indoors.
- Modify the constructions of the appliance or the size of any burner, injector orifice or any other components.
- Move the appliance during using.
- Obstruct any ventilation of the appliance.
- Allow the flexible gas supply hose or any electrical cord to come in contact with any heated surface of the appliance.
- Use charcoal or any other solid fuel in this appliance.
- Disconnect any gas fittings while the appliance is in using.
- Use a rusty or dented gas cylinder with a damaged gas valve.
- Fill the gas cylinder beyond 80% cap.

- Gas Category

This appliance is only for use with low-pressure butane, propane or their mixture gas and fitted with the appropriate low-pressure regulator via a flexible hose. The appliance is set to operate

- 28-30 mbar regulator with butane gas @ category I3+
- 37mbar regulator with propane gas @ category I3+
- 37 mbar regulator with butane, propane or their mixtures @ category I3B/P(37)
- 30 mbar or 50mbar regulator with butane, propane or their mixtures @ category I3B/P(30) or category I3B/P(50) respectively

CAUTION: ONLY THE GAS TYPE AND GAS CATEGORY LISTED IN THE RATING LABEL COULD BE USED ON YOUR APPLIANCE.

- Gas Hose and Gas Regulator

Use only regulator and hose approved for LP Gas at the correct pressures.

The pressure adjuster should comply with the standard EN12864 and current regulations in the country where it is installed, which may be found at your nearest retailer of gas items. Refer to the technical data. It is strictly prohibited to use adjustable pressure.

It is recommended that the regulator is changed within 10 years of the date of manufacture or the national conditions require it.

The type of replaceable hose should meet the standard of EN1763-1-Class 3.

The hose used must conform to the relevant standard for the country of use. The length of the hose must be 0.7 meters (minimum) and 1.5 meters (maximum). Worn or damaged hose must be replaced.

Ensure that the hose is not obstructed, kinked, or in contact with any part of the appliance other than at its connection. It is recommended the hose is changed within 1 year of the date of manufacture or the national conditions required. During serving or installation, make sure that the connection flexible tube is not subjected to twisting.

CAUTION: THE APPLIANCE IS ATTENDED TO BE USED WITH REGULATOR AND HOSE ASSEMBLY. IF THEY ARE NOT SUPPLIED BY MANUFACTURER, THE USER MUST CHOOSE THE AUTHORIZED REGULATOR AND HOSE COMPLYING WITH THE STANDARD AND LOCAL REGULATIONS.

- Storage of Appliance

When the appliance is not in use, storage of an appliance indoors is only permitted when the cylinder is disconnected and removed from the appliance. When the appliance is not to be used for a period of time it should be stored in its original packaging and stored in a dry dust free environment.

- Gas Cylinder

The gas cylinder should not be dropped or handled roughly! If the appliance is not in use, the cylinder must be disconnected.

The precaution need to be taken when changing the gas cylinder which shall be carried out away from any source of ignition

Cylinders must be stored outdoors in an upright position and out of the reach of children. The cylinder must never be stored where temperatures can reach over 50°C. Do not store the cylinder near flames, pilot lights or other sources of ignition.

CAUTION: THE APPLIANCE IS SUITABLE FOR USING WITH GAS CYLINDER 5KGS INSIDE THE APPLIANCE FOR USING.

- Connection to the Appliance

Before connecting, please ensure there is no debris caught in the head of the gas cylinder, regulator, burner and burner parts.

If the hose is replaced, it must be secured to the appliance and regulator connections.

After connecting, **GAS LEAKAGE CHECKING** is a must. Please follow following method to check for gas leakage.

- Ensure the control valve is "OFF".
- Connect the cylinder to the regulator, regulator to hose and hose to the appliance, ensure the connections are secured then turn ON the gas.
- Brush the soapy water on the hose and all joints. If bubble appears, it means there is leakage. You have to reconnect or replace the gas leakage part or joint.
- Retest after fixing the fault. Turn OFF the gas at the cylinder after testing.

CAUTION: IF LEAKAGE IS DETECTED AND CAN NOT BE FIXED, DO NOT ATTEMPT TO CURE LEAKAGE BUT CONSULT YOUR GAS DEALER.

- Lighting the Appliance

1. Open the lid and make sure all the knobs are on the OFF (●) position.
2. Push down the knob and turn the knob anticlockwise to HIGH (🔥) position, then keep pressing the igniter for 2-3 seconds (a sound could be heard), thus the burner could be lit. If the burner does not light, turn off the knob and wait for 5 minutes then repeat this process.
3. Adjust the heat by turning the knob to the High (🔥)/Low (🔥) position. INFRARED REAR BURENR IS ONLY IN HIGH POSISTION
4. To light other burners, repeat the same process for the adjacent burner and continue in sequence until all the burners are lit.
5. To turn the barbecue OFF, turn the cylinder valve or regulator switch to the "OFF" position and then turn all of the control knobs on the barbecue clockwise to the "OFF" (●) position.

For Match- Lighting:

1. Follow above instruction step 1-3.
2. For Main burner, place the match into match holder chain and fire the match, then put the match into the lighting hole on the right side of the fire box;

* For side burner, place the fired match on the holes of the side burner head.

3. Push down and turn the knob anticlockwise to HIGH(🔥) position, then the burner could be lit. If the burner does not light, turn off the gas tap and wait for 5 minutes then repeat this step 2-3.

The side burner is designed for pot/pan with diameter 180-260mm. Side burner lid can not be used as work table, do not put anything on the side burner lid while it is not working

Before cooking for the first time, light on all the main burners and keep burning for 15 minutes with the lid closed and knob at HIGH(🔥) position . This will "heat clean" the internal parts and dissipate odor from the painted finish. The color of cooking area may get little change. It is normal and it is the nature of material.

- Cleaning and Maintenance

All cleaning and maintenance should be carried out when the appliance is cool and with the fuel supply turned **OFF** at the gas cylinder after each time use.

DO NOT mistake brown or black accumulation of grease and smoke for paint. Interiors of gas grills are not painted at the factory (and should NEVER be painted). Apply a strong solution of detergent and water or use a grill cleaner with scrub brush on insides of grill lid and bottom. Rinse and allow to completely air dry.

DO NOT apply a caustic grill / oven cleaner to painted surfaces.

DO NOT use abrasive or flammable cleaners, as it will damage the parts of the product and may start a fire.

Stainless steel surfaces: Stainless steel would get rust if not maintain well. To maintain your grill's high quality

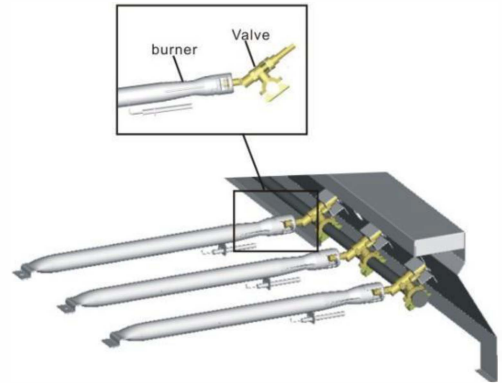
appearance, wash with mild detergent and warm soapy water and wipe dry with a soft nonabrasive cloth after each use. Use stainless steel protection liquid like WD-40 on the surface to avoid rust.

Cooking grid: Use a mild soapy water solution. Non-abrasive scouring power can be used on stubborn stains then rinse with water.

Cleaning the burner assembly

Follow these instructions to clean

1. Turn gas off at control knobs and LP Tank.
2. Remove cooking grates, grease tray and grease cup.
3. Remove screw at end of burner using a screwdriver.
4. Carefully lift each burner up and away from valve openings.
5. Wire brush entire outer surface of burner to remove food residue dirt.
6. Clean any blocked ports with a stiff wire such as an open paper clip.
7. Check burner for damage, due to normal wear and corrosion some holes may become enlarged. If any large cracks or holes are found replace burner.
8. Carefully refit burners.
9. Replace screw at the end of burner.
10. Replace grease tray and cooking grates.



Inspect burner for any damage (cracks or holes). If damage is found, replace with a new burner. Reinstall the burner, check to ensure that the Gas valve orifices are correctly positioned and secured inside the burner inlet.

We suggest three ways to clean the burner tubes. Use the one easiest for you.

- (A) Bend a stiff wire (a light weight coat hanger works well) into a small hook. Run the hook through each burner tube and burner several times.
- (B) Use a narrow bottle brush with a flexible handle (DO NOT use a brass wire brush), run the brush through each burner tube and burner several times.
- (C) Wear eye protection: use an air hose to force air into the burner tube and out the air ports. Check each port to make sure air comes out each hole.



CAUTION

NATURAL HAZARD SPIDERS

FACT: sometimes spiders and other insects climb into the grill tubes attached to the burners. The spiders spin webs, build nests and lay eggs. The webs or nests can be very small, but they are very strong and can block the flow of gas.

Clean burners prior to use after storing, at the beginning of grilling season or after a period of one month not being used.



Spider guards are on the air intakes in an effort to reduce this problem, but it will not eliminate it! An obstruction can result in a “flashback”(a fire in the burner tubes). The grill may still light, but the obstruction does not allow full gas flow to the burners.

TROUBLE SHOOTING

Problem	Possible Cause	Prevention/Solution
Burner(s) will not light.	<ul style="list-style-type: none"> No gas flow. Coupling nut and regulator not fully connected. Obstruction of gas flow. Disengagement of burner to valve. Is grill assembled correctly 	<ul style="list-style-type: none"> Check to see if LP tank is empty. Turn the coupling nut about one-half to three quarters additional turn until solid stop. Tighten by hand only-do not use tools. Clear burner tube(s). Reengage burner and valve. Check steps in assembly instructions.
Sudden drop in gas flow or low flame.	<ul style="list-style-type: none"> Out of gas. Excess flow valve tripped. 	<ul style="list-style-type: none"> Check for gas in LP tank. Turn off knobs, wait 30 seconds and light grill. If flames are still low, turn off knobs and LP tank valve. Disconnect regulator. Reconnect regulator and leak test. Turn on LP tank valve, wait 30 seconds and then light grill.
Flames blow out.	<ul style="list-style-type: none"> High or gusting winds. Low on LP gas. Excess flow valve tripped. 	<ul style="list-style-type: none"> Turn front of grill to face wind or increase flame height. Refill LP tank. Refer to "<i>Sudden drop in gas flow</i>" above.
Flare-up.	<ul style="list-style-type: none"> Grease buildup. Excessive fat in meat. Excessive cooking temperature. 	<ul style="list-style-type: none"> Clean grill. Trim fat from meat before grilling. Adjust (lower) temperature accordingly.
Persistent grease fire.	<ul style="list-style-type: none"> Grease trapped by food buildup around burner system. 	<ul style="list-style-type: none"> Turn knobs to OFF. Turn gas off at LP tank. Leave lid in position and let fire burn out. After grill cools, remove and clean all parts.
Flashback... (fire in burner tube(s)).	<ul style="list-style-type: none"> Burner and/or burner tubes are blocked. 	<ul style="list-style-type: none"> Turn knobs to OFF. Clean burner and/or burner tubes.

TECHNICAL INFORMATION

Appliance Name	OUTDOOR USE GAS GRILL		CE 2531DM-0020	
Model No.	HH200-F/SUNC-SLG2B-7960SS/ SUNC-SLG2B-7972BLACK			HH200-F/SUNC-SLG2B-7981SS-GER/ SUNC-SLG2B-7984BLACK-GER
Appliance Category	I3+(28-30/37)		I3B/P(30)	I3B/P(50)
Type of Gas	Butane	Propane	Butane, Propane or their mixtures	Butane, Propane or their mixture
Gas Pressure	20-30 mbar	37 mbar	30 mbar	50 mbar
Heat input	3.5 kW		3.5 kW	3.5 kW
Total Heat Input (Qn)	7 kW		7 kW	7 kW
	(509 g/h)		(509 g/h)	(509 g/h)
Injector	0.93 mm		0.93 mm	0.82 mm
Countries of Destination	BE, FR, IT, LU, IE, GB, GR, PT, ES, CY, CZ, LT, SK, CH, SI, LV		LU, NL, DK, FI, SE, CY, CZ, EE, LT, MT, SK, SI, BG, IS, NO, TR, HR, RO, IT, HU, LV	AT, DE, SK, CH, LU

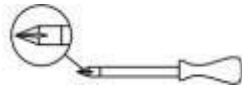
Appliance Name	OUTDOOR USE GAS GRILL		CE 2531DM-0020	
Model No.	HH500-F/SUNC-SLG5B-7961SS/ SUNC-SLG5B-7973BLACK			HH500-F/SUNC-SLG5B-7982SS-GER/ SUNC-SLG5B-7985BLACK-GER
Appliance Category	I3+(28-30/37)		I3B/P(30)	I3B/P(50)
Type of Gas	Butane	Propane	Butane, Propane or their mixtures	Butane, Propane or their mixture
Gas Pressure	20-30 mbar	37 mbar	30 mbar	50 mbar
Heat input	3.5 kW		3.5 kW	3.5 kW
Total Heat Input (Qn)	17.5 kW		17.5 kW	17.5 kW
	(1273 g/h)		(1273 g/h)	(1273 g/h)
Injector	0.93 mm		0.93 mm	0.82 mm
Countries of Destination	BE, FR, IT, LU, IE, GB, GR, PT, ES, CY, CZ, LT, SK, CH, SI, LV		LU, NL, DK, FI, SE, CY, CZ, EE, LT, MT, SK, SI, BG, IS, NO, TR, HR, RO, IT, HU, LV	AT, DE, SK, CH, LU

***e.g. 0.93 mm indicates the diameter of the injector is 0.93 mm.**

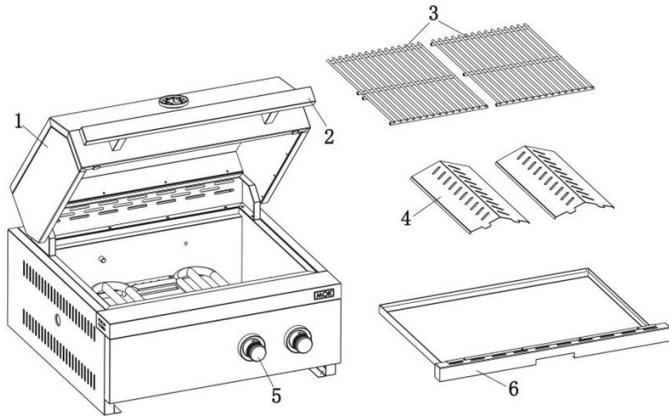
ASSEMBLY INSTRUCTIONS

Tools required:

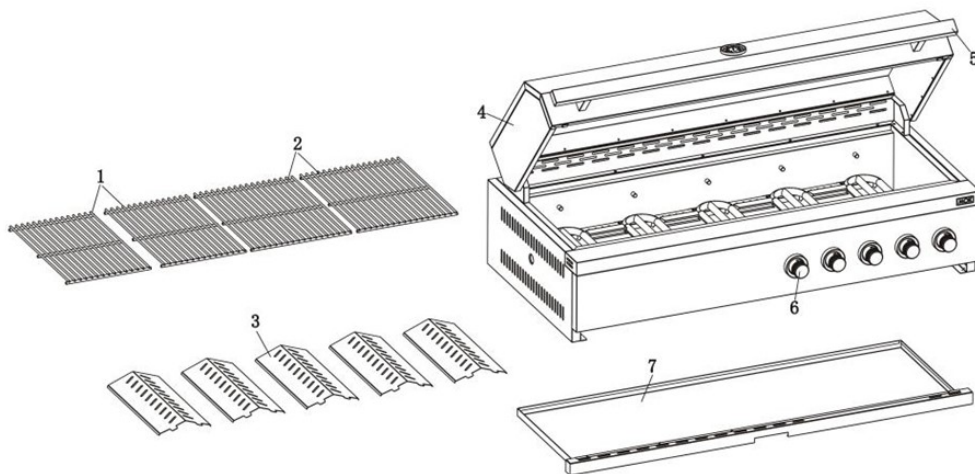
1. Philips Screwdriver
2. Gloves (if necessary)



EXPANDED VIEW

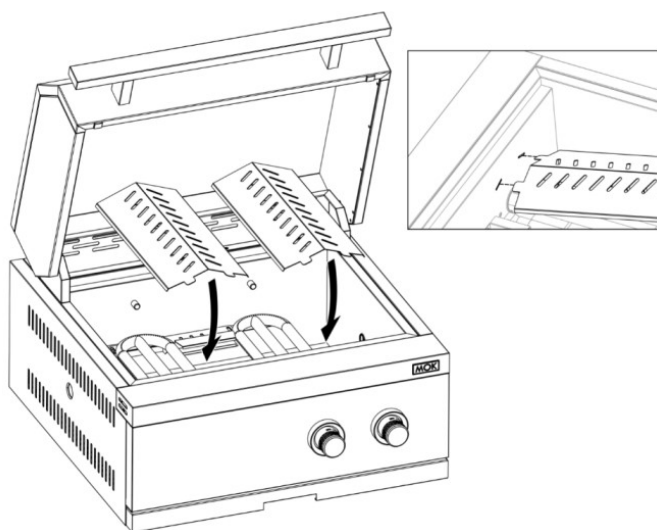


#	Part name	#	Part name
1	Hood	4	Flame diffuser
2	Hood handle	5	Control knob
3	Cooking grid	6	Fat tray

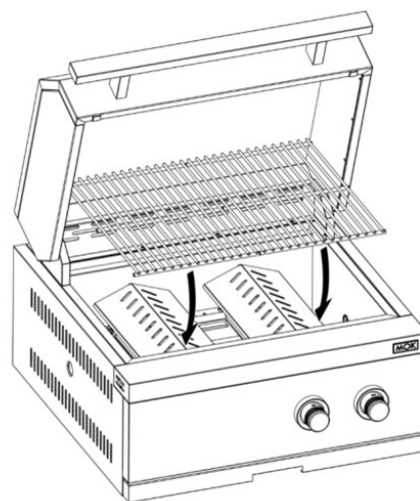


#	Part name	#	Part name
1	Cooking grid-A	5	Hood handle
2	Cooking grid-B	6	Control knob
3	Flame diffuser	7	Fat tray
4	Hood		

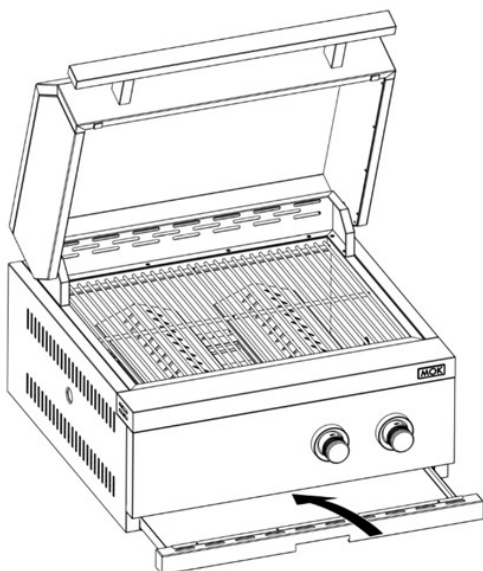
1. FLAME DIFFUSER ASSEMBLY



2. COOKING GRID ASSEMBLY



3. GREASE TRAY

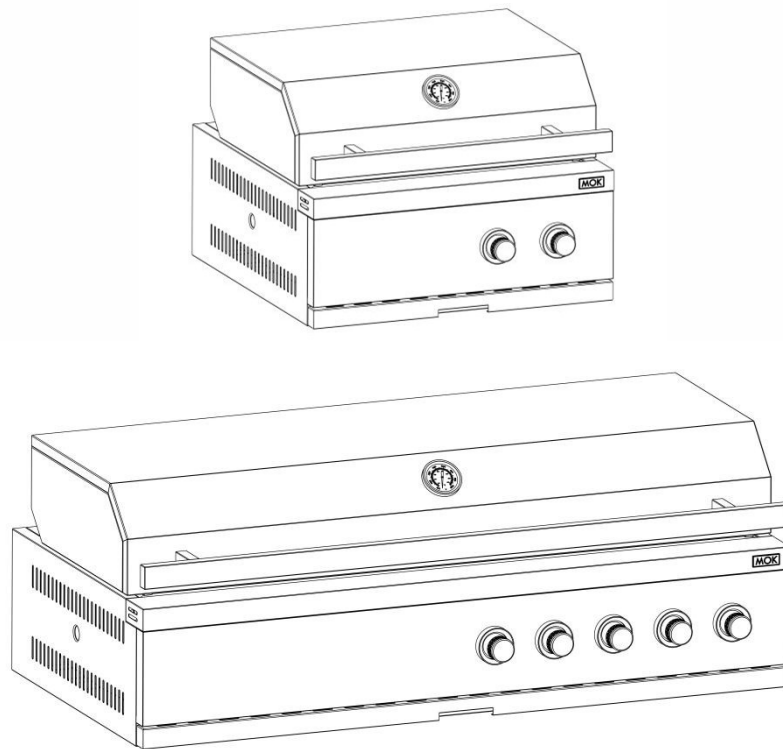


Lindström & Sondén AB
Havsbadvagen 1,262 63 Ängelholm, Sweden

Customer Service: info@myoutdoorkitchen.co.uk



Användar- & installationsmanual



GASOLGRILL FÖR UTOMHUSBRUK

Modeller:

HH200-F, SUNC-SLG2B-7960SS, SUNC-SLG2B-7981SS-GER,
SUNC-SLG2B-7972BLACK, SUNC-SLG2B-7984BLACK-GER

HH500-F, SUNC-SLG5B-7961SS, SUNC-SLG5B-7982SS-GER,
SUNC-SLG5B-7973BLACK, SUNC-SLG5B-7985BLACK-GER

- ANVÄND ENDAST UTOMHUS.
- LÄS INSTRUKTIONERNA INNAN DU ANVÄNDER APPARATEN
- VARNING: TILLGÄNGLIGA DELAR KAN VARA MYCKET VARMA. HÅLL UNGA BARN BORTA.
- DEN HÄR APPARATEN MÅSTE FÖRVARAS BORT FRÅN BRANDFARLIGA MATERIAL UNDER ANVÄNDNING.
- STÄNG AV GASOLEN VID GASCYLINDERN EFTER ANVÄNDNING

- GÖR FÖLJANDE

- Använd skiftnyckel för att dra åt alla gaskopplingar
- Kontrollera alla gasslangar och ledningsanslutningar efter skador, skärsår eller sprickor varje gång du använder apparaten.
- Gör alltid ett läcktest med tvålvatten
- Kontrollera regelbundet alla brännare för insektsnät som spindlar, myror etc. Nät är farliga och måste rengöras helt.
- Låt en auktoriserad gasleverantör fylla gasflaskan
- Bär alltid skyddshandskar vid hantering av heta komponenter
- Rengör och underhåll apparaten efter varje användning.
- Använd grillen minst 1,0 m från väggar eller ytor, brännbart material, bensin, flamvätskor eller ångor
- Att "bränna av" grillen efter varje användning (i cirka 15 minuter) kommer att minska mängden matrester.

VARNING

- Luta dig inte över apparaten när du tänder
- Förvara inte brännbart material, bensin eller brandfarliga vätskor eller ångor i närheten av apparaten
- Använd inte apparaten med något slags skydd på
- Använd inte plast- eller glasredskap på apparaten.
- Använd inte apparaten i hård vind
- Demontera inte styrventiler
- Testa inte för gasläckor med öppen låga
- Förvara inte reservgasflaskor i skåpet
- Lägg inte ner gasflaskan (håll alltid upprätt)
- Använd inte apparaten inomhus
- Ändra inte apparatens konstruktion eller storleken på en brännare, injektoröppning eller andra komponenter
- Flytta inte apparaten under användning
- Blockera inte all ventilation av apparaten
- Låt inte den flexibla gasförsörjningsslangen eller någon elektrisk sladd komma i kontakt med någon uppvärmd yta på apparaten
- Använd inte träkol eller annat fast bränsle i denna apparat
- Koppla inte bort alla gasarmaturer medan apparaten används
- Använd inte en rostig eller bucklig gasflaska med en skadad gasventil
- Fyll inte gasflaskan över 80 % kapacitet

- TYP AV GAS

Denna apparat är endast avsedd för användning med lågtrycksbutan, propan eller deras blandning och försedd med lämplig lågtrycksregulator via en flexibel slang. Apparaten är inställd att fungera med:

- 28-30 mbar regulator med butangas @ kategori I3+
- 37mbar regulator med propangas @ kategori I3+
- 37 mbar regulator med butan, propan eller deras blandningar @ kategori I3B/P(37)
- 30 mbar eller 50 mbar regulator med butan, propan eller deras blandningar @ kategori I3B/P(30) respektive kategori I3B/P(50)

UPPMÄRKSAMMA: ENDAST GASTYP OCH GASKATEGORI SOM FINNS I KLASSIFICERINGSLABELN FÅR ANVÄNDAS PÅ DIN APPARAT.

- GASSLANG OCH GASREGULATOR

Använd endast regulator och slang som är godkända för gasol vid rätt tryck.

Tryckjusteraren bör följa standarden EN12864 och gällande föreskrifter i det land där den är installerad, som kan hittas

hos din närmaste återförsäljare av gasartiklar. Se tekniskt datum. Det är strängt förbjudet att använda justerbart tryck. Det rekommenderas att regulatorn byts inom 10 år från tillverkningsdatumet eller de nationella förhållandena kräver det. Typen av utbytbar slang bör uppfylla standarden EN1763-1-klass 3.

Slangen som används måste överensstämma med relevant standard för användningslandet. Slangens längd ska vara 0,7 meter (minst) och 1,5 meter (max). Sliten eller skadad slang måste bytas ut.

Se till att slangen inte är blockerad, böjd eller i kontakt med någon del av apparaten förutom vid dess anslutning. Det rekommenderas att slangen byts inom 1 år från tillverkningsdatumet eller utifrån vad de nationella villkoren som kräver.

Under service eller installation, se till att det flexibla anslutningsröret inte utsätts för vridning.

FÖRSIKTIGHET: APPARATEN SKA ANVÄNDAS MED ETT REGULATOR OCH SLANG KIT. OM DE TILLHANDAHÅLLS INTE AV TILLVERKAREN, MÅSTE KÖPAREN VÄLJA DEN AUKTORISERADE REGULATORN OCH SLANG SOM ÖVERENSSTÄMMER STANDARD OCH LOKALA BESTÄMMELSER.

- FÖRVARING AV GRILLEN

När grillen inte används, får den endast förvaras inomhus om gasflaskan är fränkopplad och borttagen från grillen.

- GASFLASKA

Gasflaskan får inte tappas eller hanteras grovt! Om apparaten inte används måste gasflaskan kopplas bort.

Försiktighetsåtgärden måste vidtas vid byte av gasflaskan som ska utföras på avstånd från alla antändningskällor

Gasflaskor måste förvaras utomhus i upprätt läge och utom räckhåll för barn. Gasflaskan får aldrig förvaras där temperaturen kan nå över 50°C. Förvara inte gasflaskan nära lågor, pilotljus eller andra antändningskällor.

FÖRSIKTIGHET: APPARATEN ÄR LÄMPLIG FÖR ANVÄNDNING MED GASCYLINDER 5 KGS INNE I APPARATEN FÖR ANVÄNDNING.

- KOPPLA GRILLEN

Innan du ansluter, se till att det inte finns något skräp i toppen på gasflaskan, regulatorn, brännaren och brännarens delar. Om slangen byts ut måste den fästas i apparaten och regulatoranslutningarna.

Efter anslutning är KONTROLL AV GASLÄCKAGE ett måste. Följ följande metod för att kontrollera gasläckage.

Se till att reglerventilen är "OFF".

- Anslut cylindern till regulatorn, regulatorn till slangen och slangen till grillen, se till att anslutningarna är säkrade och slå sedan PÅ gasen.

- Borsta tvålvattnet på slangen och alla skarvar. Om en luftbubbla dyker upp betyder det att det finns läckage. Du måste då återansluta eller byta ut gasläckagedelen eller skarven.

- Testa igen efter att felet åtgärdats. Stäng AV gasen vid flaskan efter testning.

VARNING: OM LÄCKAGE UPPTÄCKS OCH INTE KAN ÅTGÄRDAS, FÖRSÖK INTE ATT LAGA LÄCKAGE UTAN KONSULTERA DIN GASÅTERFÖRSÄLJARE.

- TÄNDA GRILLEN

1. Öppna locket och se till att alla vred är i läget OFF (●).
2. Tryck ner vredet och vrid vredet moturs till läget HIGH (🔥), fortsätt sedan att trycka på tändaren i 2-3 sekunder (ett ljud kunde höras), så att brännaren tänds. Om brännaren inte tänds, stäng av vredet och vänta i 5 minuter och upprepa sedan denna process.
3. Justera värmen genom att vrida vredet till läget HIGH (🔥)/LOW (🔥). INFRARÖD BAKRE BRÄNNAREN ÄR ENDAST I HIGH POSITION.
4. För att tända andra brännare, upprepa samma process för sidobrännaren och fortsätt i sekvens tills alla brännare är tända.
5. För att stänga AV grillen, vrid cylinderventilen eller regulatoromkopplaren till "OFF"-läget och vrid sedan alla kontrollrattar på grillen medurs till "OFF" (●) -läget.

FÖR TÄNDNING MED TÄNDSTICKOR

1. Följ ovanstående instruktioner steg 1-3.
2. För huvudbrännare, placera tändstickan i tändstickshållarkedjan och tänd tändstickan, sätt sedan tändstickan i tändningshålet på höger sida av eldstaden;

* För sidobrännare, placera den tända tändstickan på hålen på sidobrännarrhuvudet.

3. Tryck ned och vrid ratten moturs till läget HIGH(🔥), då kunde brännaren tändas. Om brännaren inte tänds, stäng av gaskranen och vänta i 5 minuter och upprepa sedan steg 2-3.
4. Sidobrännaren är designad för kastrull/panna med diameter 180-260mm. Sidobrännarlocket kan inte användas som arbetsbord, lägg in get på sidobrännarlocket när det inte fungerar.

Innan du lagar mat för första gången, tänd alla huvudbrännare och fortsätt att brinna i 15 minuter med locket stängt och vred i läget HIGH(🔥). Detta kommer att "värma ren" de inre delarna och avleda lukt från den målade finishen. Färgen på matlagningssytan kan ändras lite. Det är normalt och det är materialets natur.

- RENGÖRING OCH UNDERHÅLL

All rengöring och underhåll ska utföras när apparaten är sval och med bränsletillförseln avstängd vid gasflaskan efter varje användning.

Förväxla INTE brun eller svart ansamling av fett och rök för färg. Invändigt är gasogrillar inte målade på fabrik (och bör ALDRIG målas). Applicera en stark lösning av tvättmedel och vatten eller använd ett grillrengöringsmedel med skurborste på insidan av grillens lock och botten. Skölj och låt lufttorka helt.

Applicera INTE ett frätande grill-/ugnsrengöringsmedel på målade ytor.

ANVÄND INTE slipande eller brandfarliga rengöringsmedel, eftersom det kommer att skada produktens delar och kan starta en brand.

Ytor i rostfritt stål: Rostfritt stål skulle få rost om det inte underhålls väl. För att behålla din grills höga kvalitet

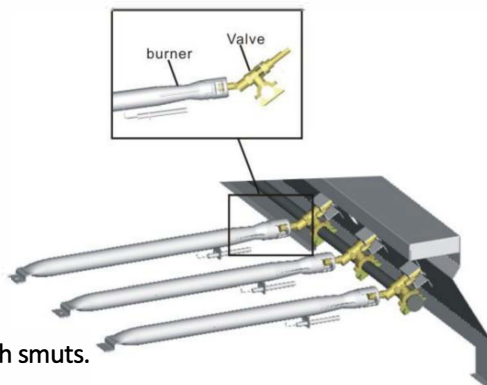
utseende, tvätta med mildt rengöringsmedel och varmt tvålatten och torka av med en mjuk trasa utan slipmedel efter varje användning. Använd skyddsvätska av rostfritt stål som WD-40 på ytan för att undvika rost.

Matlagningsgaller: Använd en mild tvålattenlösning. Icke-slipande skurkraft kan användas på envisa fläckar och skölj sedan med vatten.

Rengöring av brännarenheten

Följ dessa instruktioner för att rengöra:

1. Stäng av gasen vid kontrollvreden och gasoltank.
2. Ta bort grillgallret, fettsamlingsplåten och fettkoppen.
3. Ta bort skruven i änden av brännaren med en skruvmejsel.
4. Lyft försiktigt upp varje brännare och bort från ventilöppningarna.
5. Använd stålborste på hela brännarens yttre yta för att ta bort matrester och smuts.
6. Rengör eventuella blockerade portar med en styv tråd såsom ett öppet gem.
7. Kontrollera brännaren för skador, på grund av normalt slitage och korrosion kan vissa hål bli förstörade. Om några stora sprickor eller hål hittas byt ut brännaren.
8. Sätt försiktigt tillbaka brännarna.
9. Sätt tillbaka skruven i änden av brännaren.
10. Byt ut fettpanna och grillgallret.



Inspektera brännaren för eventuella skador (sprickor eller hål). Om skada upptäcks, byt ut den mot en ny brännare. Sätt tillbaka brännaren, kontrollera att gasventilöppningarna är korrekt placerade och säkrade inuti brännarens inlopp.

Vi föreslår tre sätt att rengöra brännarrören. Använd den som är lättast för dig.

- (A) Böj en styv tråd (en lätt klädhängare fungerar bra) till en liten krok. Kör kroken genom varje brännarrör och brännare flera gånger.
- (B) Använd en smal flaskborste med ett flexibelt handtag (ANVÄND INTE en stålborste av mässing), kör borsten genom varje brännarrör och brännare flera gånger.
- (C) Bär ögonskydd: använd en luftslang för att tvinga in luft i brännarröret och ut genom luftportarna. Kontrollera varje port för att se till att luft kommer ut varje hål.



VARNING

SPINDLAR KAN ORSAKA PROBLEM

FAKTA: ibland klättrar spindlar och andra insekter in i grillrören fästa vid brännarna. Spindlarna spinner nät, bygger bon och lägger ägg. Näten eller bon kan vara mycket små, men de är mycket starka och kan blockera gasflödet. Rengör brännarna före användning efter förvaring, i början av grillsäsongen eller efter en månads utebliven användning.



Spindelskydd finns på luftintagen i ett försök att minska detta problem, men det kommer inte att eliminera det! Ett hinder kan resultera i en "flashback" (brand i brännarröret). Grillen kan fortfarande tändas, men hindret tillåter inte fullt gasflöde till brännaren.

Felsökning

Problem	Möjlig Orsak	Åtgärd / Lösning
Brännare tänds inte	<ul style="list-style-type: none"> Ingen gas flödar. Koppling och regulator är inte helt sammankopplade. Gasflödet är hindrat. Brännare frånkopplad från ventil. Är grillen korrekt monterad? 	<ul style="list-style-type: none"> Kolla om gasflaskan är tom. Vrid kopplingsmuttern cirka ett halvt till trekvarts varv i taget tills den är spänd. Spänn endast med handkraft, använd inte verktyg. Rensa brännarrör. Återanslut brännare och ventil Kolla steg i monteringsguide
Plötsligt tapp i gasflöde eller liten flamma	<ul style="list-style-type: none"> Slut på gas. Överskottsventil är utlöst. 	<ul style="list-style-type: none"> Kolla gas i gasflaska. Stäng av reglage, vänta 30 sekunder och tänd grill. Om flammen fortfarande är liten, stäng av reglage och gasflaska. Koppla bort regulatorn. Återkoppla regulator och testa för läcka. Sätt på gasflaska, vänta 30 sekunder och tänd sedan grill.
Flamman blåses ut.	<ul style="list-style-type: none"> Starka vindar eller vindkast. Lite gas i gasflaska. Överskottsventil är utlöst. 	<ul style="list-style-type: none"> Vänd framsida av grillen mot vinden eller öka flammans höjd. Återfyll gasflaska. Se "Plötsligt tapp i gasflöde" ovan.
Flamman som slår upp.	<ul style="list-style-type: none"> Fettansamling. Högt fettinnehåll i köttet. För hög tillagningstemperatur. 	<ul style="list-style-type: none"> Rengör grill. Skär bort fett från kött innan tillagning. Justera (sänk) temperatur.
Ihållande flammor från fett	<ul style="list-style-type: none"> Fett har samlats runt brännarsystemet. 	<ul style="list-style-type: none"> Vrid reglage till AV. Stäng av gas på gasflaska. Lämna locket i position och låt elden dö ut. Efter att grillen kallnat, ta bort och rengör alla delar.
Flashback... (brand i brännarrör)	<ul style="list-style-type: none"> Brännare och/eller brännarrör är blockerade... 	<ul style="list-style-type: none"> Vrid reglage till AV. Rengör brännare och/eller brännarrör.

TEKNISK INFORMATION

Produktbeteckning	GASOLGRILL FÖR UTOMHUSBRUK		CE 2531DM-0020	
Modellnr.	HH200-F/SUNC-SLG2B-7960SS/ SUNC-SLG2B-7972BLACK			HH200-F/SUNC-SLG2B-7981SS-GER/ SUNC-SLG2B-7984BLACK-GER
Specifikation	I3+(28-30/37)		I3B/P(30)	I3B/P(50)
Gastyp	Butan	Propan	Butan, propan eller en blandning av dessa	Butan, propan eller en blandning av dessa
Gastryck	20-30 mbar	37 mbar	30 mbar	50 mbar
Effekt	3.5 kW		3.5 kW	3.5 kW
Totaleffekt (Qn)	7 kW		7 kW	7 kW
	(509 g/h)		(509 g/h)	(509 g/h)
Injektor	0.93 mm		0.93 mm	0.82 mm
Destinationsland	BE, FR, IT, LU, IE, GB, GR, PT, ES, CY, CZ, LT, SK, CH, SI, LV		LU, NL, DK, FI, SE, CY, CZ, EE, LT, MT, SK, SI, BG, IS, NO, TR, HR, RO, IT, HU, LV	AT, DE, SK, CH, LU

Produktbeteckning	GASOLGRILL FÖR UTOMHUSBRUK		CE 2531DM-0020	
Modellnr.	HH500-F/SUNC-SLG5B-7961SS/ SUNC-SLG5B-7973BLACK			HH500-F/SUNC-SLG5B-7982SS-GER/ SUNC-SLG5B-7985BLACK-GER
Specifikation	I3+(28-30/37)		I3B/P(30)	I3B/P(50)
Gastyp	Butan	Propan	Butan, propan eller en blandning av dessa	Butan, propan eller en blandning av dessa
Gastryck	20-30 mbar	37 mbar	30 mbar	50 mbar
Effekt	3.5 kW		3.5 kW	3.5 kW
Totaleffekt (Qn)	17.5 kW		17.5 kW	17.5 kW
	(1273 g/h)		(1273 g/h)	(1273 g/h)
Injektor	0.93 mm		0.93 mm	0.82 mm
Destinationsland	BE, FR, IT, LU, IE, GB, GR, PT, ES, CY, CZ, LT, SK, CH, SI, LV		LU, NL, DK, FI, SE, CY, CZ, EE, LT, MT, SK, SI, BG, IS, NO, TR, HR, RO, IT, HU, LV	AT, DE, SK, CH, LU

***t.ex. 0,93 mm indikerar att injektorns diameter är 0,93 mm.**

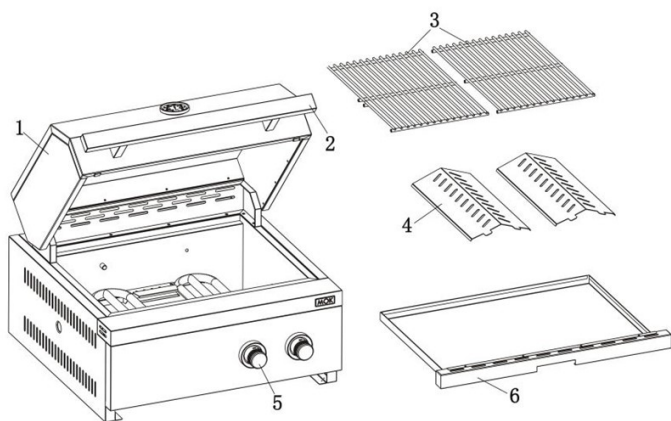
MONTERINGSANVISNINGAR

Verktyg som behövs:

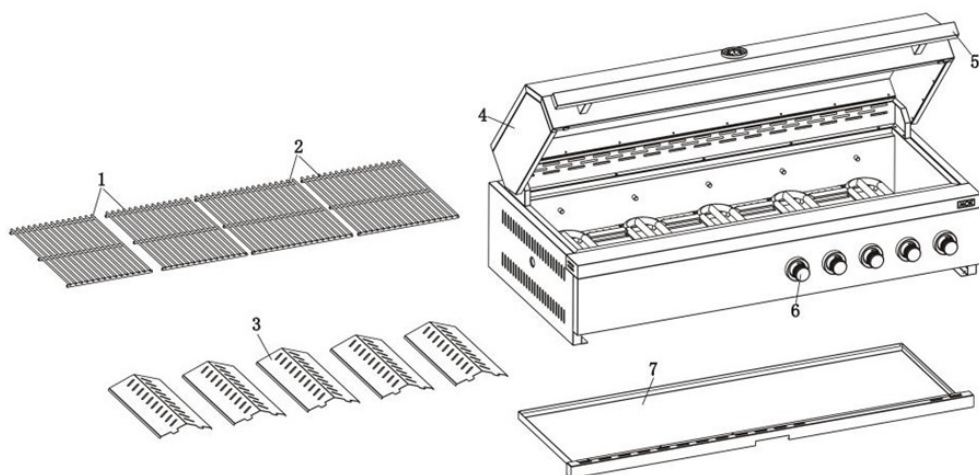
1. Skruvmejsel
2. Handskar (Vid behov)



SPRÄNGSKISS

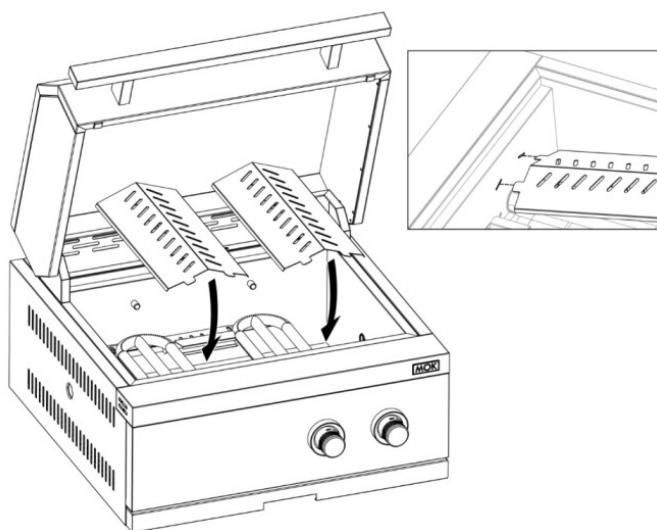


#	Beteckning	#	Beteckning
1	Lock	4	Flamspridare
2	Handtag för locket	5	Kontrollvred
3	Matlagningsgaller	6	Fettbricka

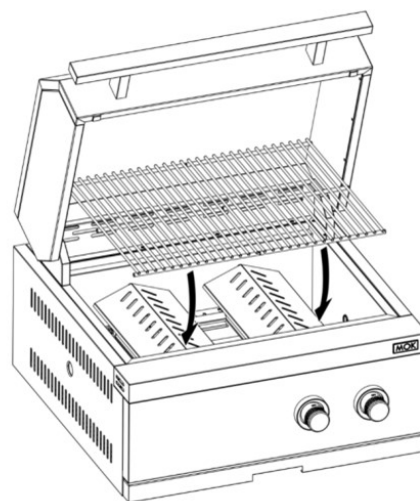


#	Beteckning	#	Beteckning
1	Matlagningsgaller-A	5	Handtag för locket
2	Matlagningsgaller-B	6	Kontrollvred
3	Flamspridare	7	Fettbricka
4	Lock		

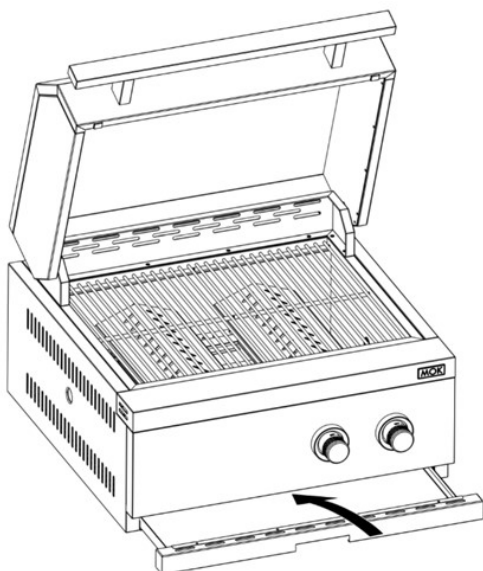
1. MONTERING AV FLAMSPRIDARE



2. MONTERING AV GRILLGALLER



3. BRICKA FÖR FETTSAMLING



Lindström & Sondén AB
Havsbadsvagen 1, 262 63 Ängelholm, Sverige

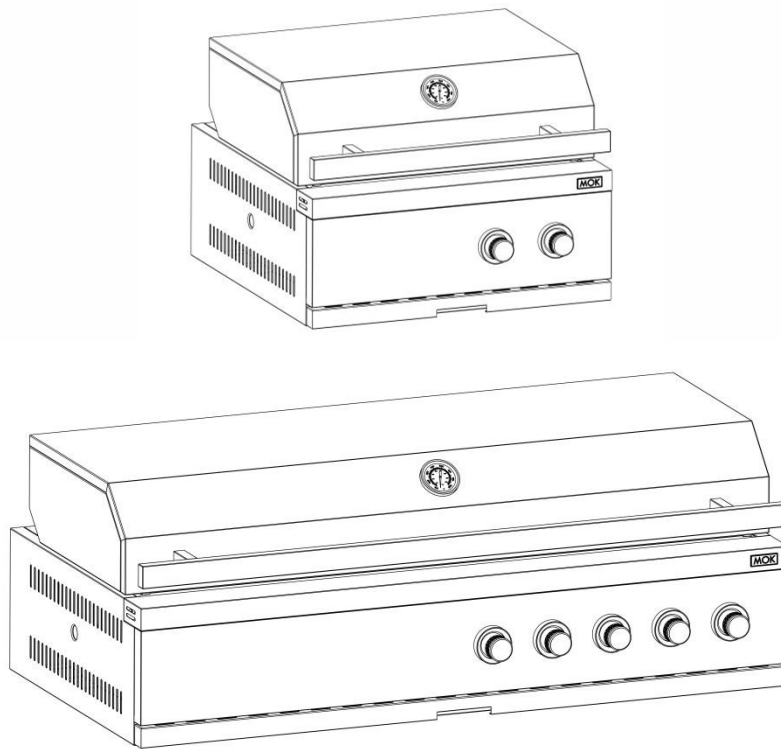
Kundservice: info@myoutdoorkitchen.se



My **OUTDOORKITCHEN™**

DA

Brugervejledning og installationsinstruktioner



GASGRILL TIL UDENDØRS BRUG

Modeller:

**HH200-F, SUNC-SLG2B-7960SS, SUNC-SLG2B-7981SS-GER,
SUNC-SLG2B-7972BLACK, SUNC-SLG2B-7984BLACK-GER**

**HH500-F, SUNC-SLG5B-7961SS, SUNC-SLG5B-7982SS-GER,
SUNC-SLG5B-7973BLACK, SUNC-SLG5B-7985BLACK-GER**

-KUN TIL UDENDØRSBRUG.

-LÆS INSTRUKTIONERNE, INDEEN DU BRUGER APPARATET.

-ADVARSEL: TILGÆNGELIGE DELE KAN BLIVE MEGET VARME. HOLD SMÅ BØRN BORTE.

-DETTE APPARAT SKAL HOLDES BORTE FRA BRÆNDBARE MATERIALER UNDER BRUG.

-AFBRYD FOR GASTILFØRSLEN PÅ GASCYLINDEREN EFTER BRUG.

Lindström & Sondén AB

Havsbadsvägen 1, 262 63 Ängelholm, Sverige

GØR DETTE:

- Brug en skrueøgle til at stramme alle gasfittings.
- Tjek alle gasslanger og stikledninger for skader, snit eller revner hver gang, inden du bruger apparatet.
- Tjek altid for lækager med sæbevand.
- Tjek alle brændere regelmæssigt for insektboer, som f.eks. edderkopper, myrer mv. Boer skal fjernes helt.
- Få gasflasken fyldt hos en autoriseret gasleverandør.
- Bær altid beskyttelseshandsker, når du håndterer varme komponenter.
- Rengør og vedligehold apparatet efter hver brug.
- Brug grillen mindst 1,0 m borte fra mure eller overflader, brændbare materialer, benzin, brændbare væsker eller dampe.
- "Afbrending af grillen" efter hver brug (i ca. 15 minutter) reducerer madresterne til et minimum.

DU MÅ IKKE:

- Læne dig over apparatet, når det er tændt.
- Opbevare brændbare materialer, benzin eller brændbare væsker eller dampe i nærheden af apparatet.
- Bruge apparatet med dæksel på.
- Bruge husgeråd af plast eller glas på apparatet.
- Bruge apparatet når det blæser kraftigt.
- Demontere kontrolventiler.
- Teste for gaslækager med en ren flamme.
- Opbevare reservegasflasker i skabet.
- Lægge gasflasken ned (hold den altid oprejst).
- Bruge apparat indendørs.
- Ændre apparatets konstruktion eller størrelsen på brændere, injektormunding eller nogen andre komponenter.
- Flytte apparatet under brug.
- Spærre for apparatets ventilation.
- Tillade, at den fleksible gasforsyningslange eller elektriske ledninger kommer i kontakt med varme overflader på apparatet.
- Bruge optændingsvæske eller andet fast brændstof i dette apparat.
- Frakoble nogen gasfitting, når apparatet er i brug.
- Bruge en rusten eller bøjet gasflaske med en beskadiget gasventil.
- Fylde gasflaske over 80 % mærket.

- GASKATEGORI

Dette apparat er kun til brug med lavtryksbutan, -propan eller en blanding heraf og forsynet med den relevante lavtryksregulator via en fleksibel slange. Apparatet er beregnet til brug med:

- 28-30 mbar-regulator med butangas i kategori I3+.
- 37 mbar-regulator med propangas i kategori I3+.
- 37 mbar-regulator med butan, propan eller en blanding heraf i kategori I3B/P(37).
- 30 mbar- eller 50 mbar-regulator med butan, propan eller en blanding heraf i kategori I3B/P(30) eller kategori I3B/P(50).

FORSIGTIG: Kun den gastype og den gaskategori, der er angivet på klassifikationsmærket, bør anvendes på dit apparat.

- GASSLANGE OG GASREGULATOR

Brug kun regulator og slange godkendt til propangas ved de korrekte tryk. Trykjusteringen skal overholde EN12864-standarden og gældende bestemmelser i det land, hvor den installeres. Disse kan findes hos din nærmeste forhandler af gasudstyr. Se de tekniske data. Det er strengt forbudt at justere trykket.

Det anbefales, at regulatoren udskiftes senest 10 år fra fremstillingsdatoen, eller når de nationale bestemmelser kræver det.

Typen af udskiftningslange skal overholde EN1763-1-Class 3-standarden. Den anvendte slange skal overholde den relevante standard i brugslandet. Slangens længde skal være mellem 0,7 meter (minimum) og 1,5 m (maksimum). En slidt eller beskadiget slange skal udskiftes.

Sørg for, at slangen ikke er ødelagt, knækket eller i kontakt med nogen anden del af apparatet end dets tilkobling. Det anbefales, at slangen udskiftes senest 1 år fra fremstillingsdatoen, eller når de nationale bestemmelser kræver det. Ved brug eller installation skal du sørge for, at det fleksible tilkoblingsrør ikke bliver vredet.

FORSIGTIG: Apparatet er beregnet til at blive brugt med regulator og slange. Hvis disse ikke leveres af producenten, skal brugeren vælge en godkendt regulator og slange, der overholder standarden og lokale bestemmelser.

- OPBEVARING AF APPARAT

Når apparatet ikke anvendes, er indendørs opbevaring kun tilladt, når flasken er frakoblet og fjernet fra apparatet. Når apparatet ikke skal anvendes et stykke tid, bør det opbevares i dets originale emballage et tørt og støvfrit sted.

- GASFLASKE

Gasflasken må ikke tabes eller behandles hårdhændet! Hvis apparatet ikke anvendes, skal flasken frakobles. Denne forholdsregel skal iagttages ved udskiftning af gasflasken, og det skal ske langt borte fra enhver antændelseskilde.

Flasker skal opbevares udendørs i oprejst stilling og uden for børns rækkevidde. Flasken må aldrig opbevares, hvor temperaturen kan nå over 50 °C. Opbevar ikke flasken i nærheden af flammer, vågeblus eller andre antændelseskilder.

FORSIGTIG: Apparatet er velegnet til anvendelse med en 5 kg gasflaske inde i apparatet ved brug.

- TILKOBLING TIL APPARATET




Inden tilkobling skal du tjekke, at der ikke er snavs i gasflaskens hoved, regulator, brænder og brænderdele. Hvis slangen udskiftes, skal den fastgøres til apparat- og regulatortilkoblinger.

Efter tilkobling er **TJEK FOR GASLÆKAGE** et krav. Brug følgende metode til at tjekke for gaslækager.

- Sørg for, at kontrolventilen er i stillingen "OFF".
- Kobl flasken til regulatoren, regulatoren til slangen og slangen til apparatet, tjek, at tilkoblingen er sikker, og TÆND derefter for gassen.
- Sprøjt sæbevandet på slangen og alle samlinger. Hvis der kommer bobler, betyder det, at der er en lækage. Du skal gentilke eller udskifte delen med gaslækage eller samlingen.
- Test igen, når du har rettet fejlen. SLUK for gassen på flasken efter test.

FORSIGTIG: Hvis der registreres en lækage, og den ikke kan findes, må du ikke forsøge at fjerne lækagen, kontakt i stedet din gasforhandler.


- OPTÆNDING AF APPARATET


1. Åbn låget, og sørg for, at alle knapperne er i stillingen OFF (●).
2. Tryk knappen ned, drej knappen mod uret til stillingen HIGH (), og tryk derefter tænderen i 2-3 sekunder (du kan høre en lyd), hvorefter brænderen bliver tændt. Hvis brænderen ikke tændes, så drej knappen til OFF, vent i 5 minutter, og gentag derefter denne proces.
3. Justér varmen ved at dreje knappen til stillingen HIGH ()/LOW (). Den bageste brænder kan kun indstilles til stillingen HIGH.
4. For at tænde andre brændere skal du gentage den samme proces som for nabobrænderen og fortsætte i rækkefølge, indtil alle brændere er tændt.
5. For at slukke for grillen skal du dreje cylinderventilen eller regulatorkontakten til stillingen "OFF" og derefter dreje alle kontrolknapperne på grillen med uret til stillingen "OFF" (●).

MED TÆNDSTIKKER

1. Følg ovenstående instruktioner, trin 1-3.
2. For hovedbrænderen skal du placere tændstikken i tændstikholderkæden og tænde tændstikken, derefter sætte tændstikken ind i optændingshullet på højre side af ildkassen.

*For sidebrænderen skal du placere den tændte tændstik i hullerne på sidebrænderens hoved.

3. Tryk ned, og drej knappen mod uret til stillingen HIGH (), hvorefter brænderen bør tænde. Hvis brænderen ikke tændes, skal du slukke for gashanen, vente i 5 minutter og derefter gentage trin 2-3. Sidebrænderen er designet til gryder/pander med en diameter på 180-260 mm. Sidebrænderens låg må ikke anvendes som arbejdsbord, anbring ikke noget på sidebrænderens låg, når den ikke anvendes.

Inden tilberedning første gang skal du tænde for alle hovedbrænderne og lade dem være tændt i 15 minutter med låget lukket og knappen i stillingen HIGH (). Dette "varmerenser" de interne dele og opløser lugt fra den malede finish. Farven på tilberedningsområdet ændres måske en lille smule. Det er normalt og skyldes materialets natur.

- RENGØRING OG VEDLIGEHOLDELSE

Al rengøring og vedligeholdelse skal udføres, når apparatet er koldt og med brændstofforslen drejet til OFF på gasflasken efter brug.

FORVEKSL IKKE brun eller sort ophobning af fedt og røg med maling. Indvendigt er gasgrillen ikke malet fra fabrikken (og bør ALDRIG males). Anvend en stærk opløsning af rengøringsmiddel og vand, eller brug en grillbørste til at skrubbe indersiden af grilllåget og bunden. Skyl, og lad den lufttørre helt.

ANVEND IKKE kaustisk grill-/ovnrensningmiddel på malede overflader.

ANVEND IKKE slibende eller brændbare rengøringsmidler, da disse vil beskadige dele af produktet og kan starte en brand.

Overflader af rustfrit stål: Rustfrit stål rustner, hvis det ikke vedligeholdes korrekt. For at vedligeholde din grill

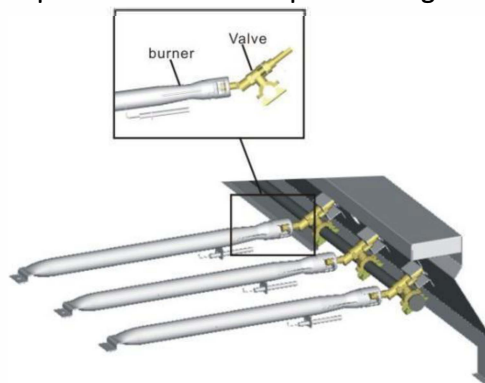
førsteklasses udseende skal du vaske den med mildt rengøringsmiddel og varmt sæbevand og aftørre med en blød, ikke-slibende klud efter hver brug. Brug et beskyttelsesmiddel til rustfrit stål som WD-40 på overfladen for at undgå rust.

Tilberedningsrist: Brug en mild sæbevandsopløsning. Ikke-slibende skurepulver kan anvendes på vanskelige pletter, skyl derefter med vand.

RENGØRING AF BRÆNDEREN

Følg disse instruktioner for at rengøre:

1. Luk for gassen på kontrolknapperne og gasflasken.
2. Fjern tilberedningsriste, fedtbakke og fedtkop.
3. Fjern skruer i enden af brænderen vha. en skruetrækker.
4. Løft forsigtigt hver brænder op og væk fra ventilåbningerne.
5. Brug en stålborste på hele brænderens udvendige overflade for at fjerne madrester og snavs.
6. Rengør alle blokerede åbninger med et stykke stift metal, som f.eks. en papirklips.
7. Tjek brænderen for skade, pga. normalt slid og korrosion kan nogle huller blive udvidet. Hvis der er store revner eller huller, bør brænderen udskiftes.
8. Genmonter omhyggeligt brænderne.
9. Udskift skruen ved enden af brænderen.
10. Genmonter fedtbakke og tilberedningsriste.



Kontrollér brænderen for skader (revner eller huller). Hvis der er skader, skal du udskifte med en ny brænder. Geninstaller brænderen, tjek for at sikre, at gasventilens åbninger er placeret korrekt og fastgjort i brænderindtaget.

Vi foreslår tre måder til rengøring af brænderrørene. Brug den, du synes er nemmest.

- A) Bøj en stiv wire (en letvægtsbøjle fungerer fint) til en lille krog. Stik krogen gennem hvert brænderrør og hver brænder flere gange.
- B) Brug en smal flaskerenser med et fleksibelt håndtag (BRUG IKKE en messingstålborste), stik børsten gennem hvert brænderrør og hver brænder flere gange.
- C) Brug øjenbeskyttelse, brug en luftslange til at presse luft ind i brænderrøret og ud af luftportene. Tjek hver port for at sikre, at der kommer luft ud af hvert hul.



⚠ CAUTION

FAKTA: Nogle gange kravler edderkopper og andre insekter ind i de grillrør, der er koblet til brænderne. Edderkopperne laver spind, bygger reder og lægger æg. Spindet eller rederne kan være ganske små, men de er meget stærke og kan blokere gasflowet. Rengør brænderne inden brug efter opbevaring, ved begyndelsen på grillsæsonen, eller hvis grillen ikke har været brugt i en måned.



Edderkoppebeskyttelser på luftindtagene kan medvirke til at reducere dette problem, men de kan ikke fjerne det! En forhindring kan medføre "bagtænding" (brand i brænderrørene). Grillen kan stadig være tændt, men forhindringen tillader ikke et fuldt gasflow til brænderne.

PROBLEMLØSNING

Problem	Mulig årsag	Forebyggelse/løsning
Brænder(e) vil ikke tænde.	<ul style="list-style-type: none"> • Intet gasflow. • Koblingsmøtrik og regulator ikke komplet tilkoblet. • Forhindring af gasflow. • Brænder frigjort fra ventil. • Er grillen samlet korrekt? 	<ul style="list-style-type: none"> • Tjek, om gasflasken er tom. • Drej koblingsmøtrikken yderligere en halv til trekvart omgang, indtil den stopper forsvarligt. Stram kun med håndkraft – brug ingen værktøjer. • Rengør brænderrør. • Genmonter brænder og ventil. • Tjek trinnene i monteringsinstruktionerne.
Pludseligt fald i gasflow eller lav flamme.	<ul style="list-style-type: none"> • Ikke mere gas. • Overløbsventil udløst. 	<ul style="list-style-type: none"> • Tjek for gas i propanflasken. • Luk for knapperne, vent 30 sekunder, og tænd grillen. Hvis flammer stadig er lave, skal du lukke for knapper og propangasflaskens ventil. Frakobl regulator. Tilkobl regulatoren igen, og test for lækager. Luk for propangasflaskens ventil, vent 30 sekunder, og tænd derefter grillen.
Flammer blæser ud.	<ul style="list-style-type: none"> • Kraftig blæst eller vindstød. • Kun lidt propangas. • Overløbsventil udløst. 	<ul style="list-style-type: none"> • Drej grillens forside op mod vinden, eller forøg flammehøjden. • Opfyld propangasflasken. • Se "Pludseligt fald i gasflow" herover.
Flammedannelse.	<ul style="list-style-type: none"> • Fedtopsamling. • Stort fedtindhold i kødet. • For høj tilberedningstemperatur. 	<ul style="list-style-type: none"> • Rengør grillen. • Skær fedt fra kødet inden grilning. • Juster (nedsæt) temperaturen tilsvarende.
Vedvarende brand i fedt.	<ul style="list-style-type: none"> • Fedt opsamlet af madvarer omkring brændersystem. 	<ul style="list-style-type: none"> • Drej knapperne til stillingen OFF. Luk for gassen på propanflasken. Efterlad låget i stilling, og lad ilden brænde ud. • Når grillen er kølet af, skal du fjerne og rengøre alle dele.
Bagtænding... (ild i brænderrør).	<ul style="list-style-type: none"> • Brænder og/eller brænderrør er blokerede. 	<ul style="list-style-type: none"> • Drej knapperne til stillingen OFF. Rengør brænder og/eller brænderrør.

TEKNISKE INFORMATIONER

Apparatnavn	GASSGRILL FOR BRUK UTENDØRS		CE 2531DM-0020	
Modelnr.	HH200-F/SUNC-SLG2B-7960SS/ SUNC-SLG2B-7972BLACK			HH200-F/SUNC-SLG2B-7981SS-GER/ SUNC-SLG2B-7984BLACK-GER
Appa ratkategori	I3+(28-30/37)		I3B/P(30)	I3B/P(50)
Gastype	Butan	Propan	Butan, propan eller blandinger heraf	Butan, propan eller blandinger heraf
Gastryk	20-30 mbar	37 mbar	30 mbar	50 mbar
Varmeinput	3.5 kW		3.5 kW	3.5 kW
Samlet varmeinput (Qn)	7 kW		7 kW	7 kW
	(509 g/h)		(509 g/h)	(509 g/h)
Injektor	0.93 mm		0.93 mm	0.82 mm
Destinationslande	BE, FR, IT, LU, IE, GB, GR, PT, ES, CY, CZ, LT, SK, CH, SI, LV		LU, NL, DK, FI, SE, CY, CZ, EE, LT, MT, SK, SI, BG, IS, NO, TR, HR, RO, IT, HU, LV	AT, DE, SK, CH, LU

Apparatnavn	GASSGRILL FOR BRUK UTENDØRS		CE 2531DM-0020	
Modelnr.	HH500-F/SUNC-SLG5B-7961SS/ SUNC-SLG5B-7973BLACK			HH500-F/SUNC-SLG5B-7982SS-GER/ SUNC-SLG5B-7985BLACK-GER
Appa ratkategori	I3+(28-30/37)		I3B/P(30)	I3B/P(50)
Gastryk	Butan	Propan	Butan, propan eller blandinger heraf	Butan, propan eller blandinger heraf
Gastryk	20-30 mbar	37 mbar	30 mbar	50 mbar
Varmeinput	3.5 kW		3.5 kW	3.5 kW
Samlet varmeinput (Qn)	17.5 kW		17.5 kW	17.5 kW
	(1273 g/h)		(1273 g/h)	(1273 g/h)
Injektor	0.93 mm		0.93 mm	0.82 mm
Destinationslande	BE, FR, IT, LU, IE, GB, GR, PT, ES, CY, CZ, LT, SK, CH, SI, LV		LU, NL, DK, FI, SE, CY, CZ, EE, LT, MT, SK, SI, BG, IS, NO, TR, HR, RO, IT, HU, LV	AT, DE, SK, CH, LU

***0,93 mm betyder, at injektorens diameter er 0,93 mm.**

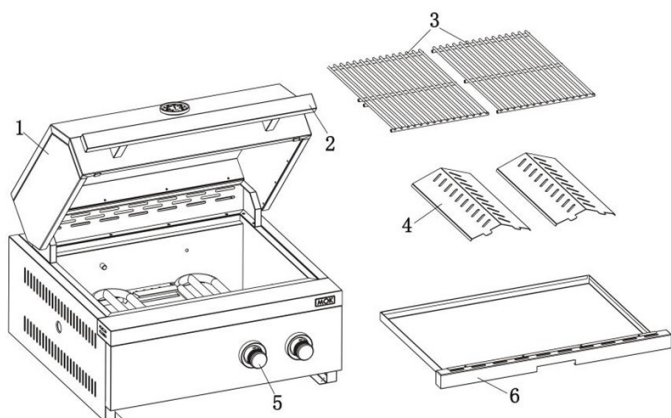
MONTERINGSVEJLEDNING

Nødvendige værktøjer:

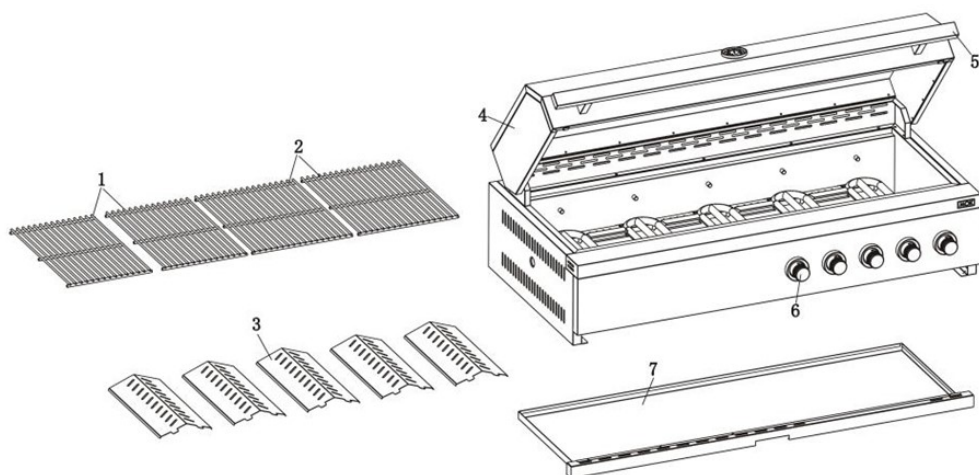
1. Skruetrækker
2. Handsker (hvis nødvendigt)



EKSPLODERET VISNING

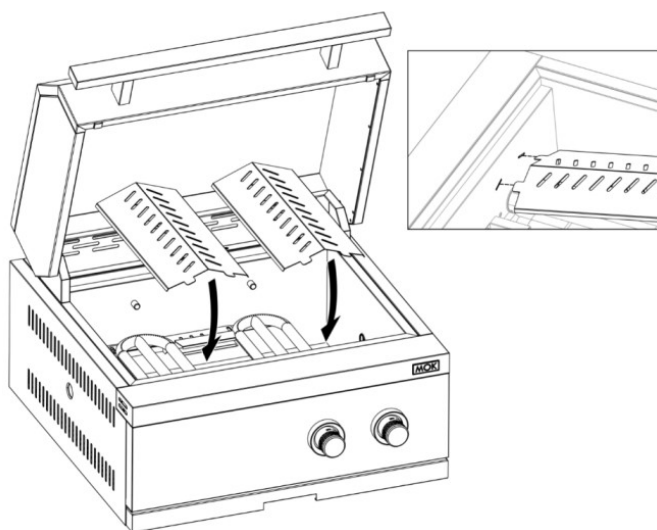


#	Betegnelse	#	Betegnelse
1	Låg	4	Flammefordeler
2	Håndtag til låg	5	Betjeningsknap
3	Tillberedningsrist	6	Fedtbakke

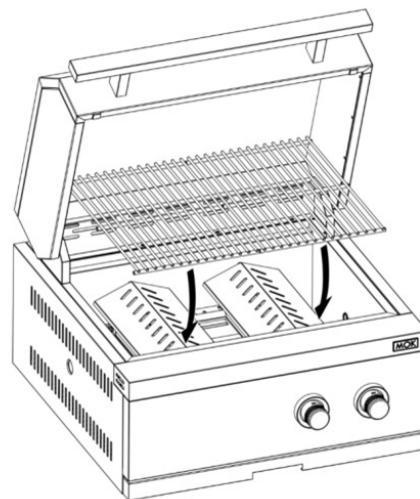


#	Betegnelse	#	Betegnelse
1	Tillberedningsrist-A	5	Håndtag til låg
2	Tillberedningsrist-B	6	Betjeningsknap
3	Flammefordeler	7	Fedtbakke
4	Låg		

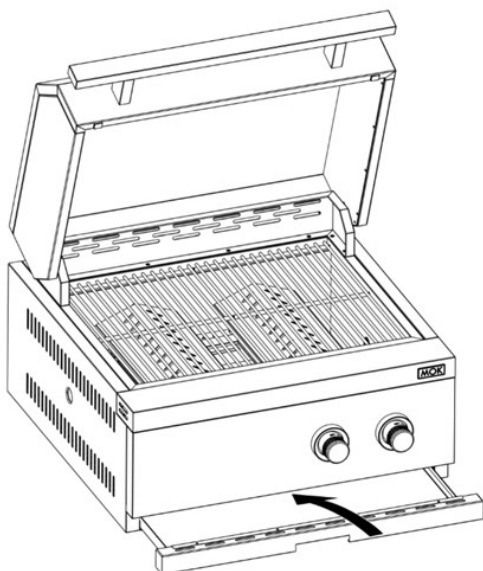
1. MONTERING AF FLAMMEFORDELER



2. MONTERING AF TILLBEREDNINGSRIST



3. FEDTBAKKE



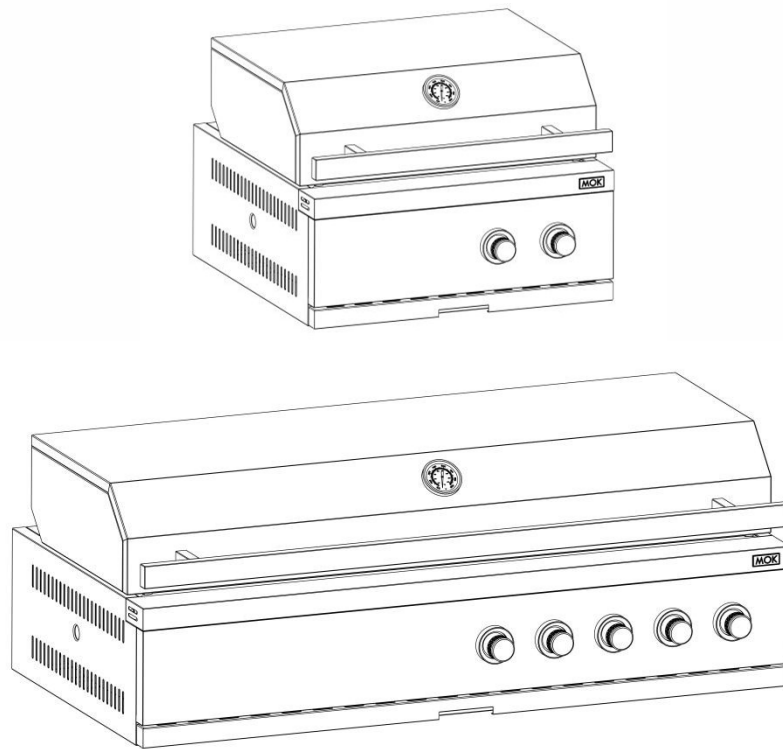
Lindström & Sondén AB
Havsbadsvagen 1, 262 63 Ängelholm, Sverige

Kundeservice: info@myoutdoorkitchen.dk



NO

Brukerhåndbok og monteringsveiledning



GASSGRILL FOR BRUK UTENDØRS

Modeller:

HH200-F, SUNC-SLG2B-7960SS, SUNC-SLG2B-7981SS-GER,
SUNC-SLG2B-7972BLACK, SUNC-SLG2B-7984BLACK-GER

HH500-F, SUNC-SLG5B-7961SS, SUNC-SLG5B-7982SS-GER,
SUNC-SLG5B-7973BLACK, SUNC-SLG5B-7985BLACK-GER

- BARE FOR UTENDØRS BRUK.
- LES VEILEDNINGEN FØR APPARATET TAS I BRUK
- ADVARSEL: TILGJENGELIGE DELER KAN VÆRE SVÆRT VARME. HOLD SMÅ BARN PÅ GOD AVSTAND
- APPARATET MÅ HOLDES PÅ GOD AVSTAND FRA BRENNBARE MATERIALER UNDER BRUK.
- STENG GASSTILFØRSELEN PÅ GASSBEHOLDEREN ETTER BRUK.

Lindström & Sondén AB
Havsbadsvägen 1, 262 63 Ängelholm, Sverige

HUSK

- Bruk skiftenøkkel for å stramme alle gasskoblingene.
- Hver gang du skal bruke apparatet, må du sjekke alle gasslanger og kabelforbindelser for skader, kutt eller sprekker.
- Sjekk alltid for lekkasje med såpevann.
- Kontroller brennerne regelmessig for insektbol til edderkopper, maur osv. Bol må fjernes helt.
- Gassbeholderen skal fylles av en godkjent gassleverandør.
- Benytt alltid beskyttelseshansker når du håndterer varme deler.
- Apparatet skal rengjøres og vedlikeholdes etter hver bruk.
- Ved bruk skal grillen stå minst 1 m fra vegger og overflater, brennbart materiale, bensin, brennbare væsker eller damper.
- Ved å «brenne av» grillen etter bruk (i omlag 15 minutter) reduseres restene av mat til et minimum.

DU MÅ IKKE:

- Lene deg over apparatet når det tennes.
- Oppbevare brennbart material, bensin eller brennbare væsker eller damper i nærheten av apparatet.
- Bruke apparatet med deksler på.
- Bruke plast- eller glassredskaper på apparatet.
- Bruke apparatet i sterk vind.
- Demontere kontrollventiler.
- Kontrollere for gasslekkasje med naken flamme.
- Oppbevare ekstra gassbeholdere i skapet.
- Legge ned gassbeholderen (den må alltid holdes oppreist).
- Bruke apparatet innendørs.
- Modifisere apparatets oppbygning eller størrelsen på brenner, injektoråpning eller andre komponenter.
- Flytte på apparatet under bruk
- Forhindre ventilasjonen i apparatet.
- La den bøyelege gasslangen eller elektriske ledninger komme i kontakt med varme overflater på apparatet.
- Bruke kull eller andre former for fast brensel i dette apparatet.
- Stenge av gasskoblinger mens apparatet er i bruk.
- Bruke en rustet eller bulket gassbeholder med skadet gassventil.
- Fulle gassbeholderen med mer enn 80 prosent av kapasiteten.

GASSKATEGORI

Apparatet er bare ment for bruk med lavtryksbutan, propan eller en blanding av disse og utstyrt med passende lavtryksregulator via bøyeleg slange. Apparatet må monteres med:

- En regulator på 28-30 mbar med butangass kategori I3+.
- En regulator på 37 mbar med propangass kategori I3+.
- En regulator på 37 mbar med butan, propan eller en blanding av disse, kategori I3B/P(37).
- En regulator på 30 eller 50 mbar med butan, propan eller en blanding av disse, henholdsvis kategori I3B/P(30) eller kategori I3B/P(50).

MERK: Bare gasstypen og gasskategorien oppført i energivurderingsetiketten bør brukes i ditt apparat.

GASSLANGE OG GASSREGULATOR

Bruk kun regulator og slange godkjent for gassbeholderen under riktig trykk. Trykkregulatoren må tilfredsstille standarden EN 12864 og gjeldende reguleringer i landet hvor den er installert, som du finner hos din nærmeste forhandler av gassutstyr. Se tekniske data. Det er strengt forbudt å bruke regulerbart trykk.

Det anbefales at regulatoren skiftes ut innen 10 år etter produksjonsdato eller når nasjonale bestemmelser krever det.

Typen utskiftbar slange må tilfredsstillende standarden EN1763-1-Class 3. Slangen som brukes må oppfylle standarden i landet den brukes. Slangelengden må være på mellom 0,7 meter (minimum) og 1,5 meter (maksimum). En slitt eller skadet slange må skiftes ut.

Pass på at slangen ikke blir blokkert, bøyd eller kommer i kontakt med andre deler av apparatet enn koblingspunktet. Det anbefales at slangen skiftes ut innen 1 år etter produksjonsdato eller når nasjonale bestemmelser krever det. Sørg for at det tilkoblede røret ikke blir vridd under bruk eller montering.

MERK: Apparatet er beregnet bruk med regulator- og slangemontering. Hvis dette ikke leveres av produsenten, må brukeren velge godkjent regulator og slange som tilfredsstillende standarden og lokale bestemmelser.

- OPPBEVARING AV APPARATET

Når apparatet ikke er i bruk, kan det kun oppbevares innendørs dersom gassbeholderen er frakoblet og flyttet bort fra apparatet. Når apparatet ikke skal brukes på en stund, bør det oppbevares i originalemballasjen på et tørt og støvfritt sted.

- GASSBEHOLDER

Gassbeholderen må ikke mistes eller behandles uforsiktig! Dersom apparatet ikke er i bruk, skal beholderen kobles fra. Det må ikke være noen tenningskilder i nærheten når du kobler fra beholderen for å skifte beholder.

Gassbeholdere må oppbevares utendørs i oppreist stilling og utenfor rekkevidde for barn. Beholderen må aldri bli oppbevart på steder der temperaturen kan overstige 50 °C. Ikke oppbevar beholderen nær flammer, tennflammer eller andre tenningskilder.

MERK: Apparatet passer til gassbeholder på 5 kg. Beholderen skal plasseres inne i apparatet.

- TILKOBLING TIL APPARATET

Før tilkobling må du forsikre deg om at det ikke er noe smuss i gassbeholderhodet, regulator, brenner eller brennerdeler. Hvis slangen skal skiftes ut, må den festes til apparatet og regulatorkoblinger.

Du må utføre en GASSLEKKASJETEST etter tilkobling. Bruk denne metoden for å teste for gasslekkasje.

- Sørg for at kontrollventilen er innstilt på OFF.

- Koble beholder til regulator, regulator til slange og slange til apparat. Kontroller at koblingene er sikre og skru på gassen – ON.

- Smør såpevannet på slangen og alle koblingene. Hvis det dukker opp bobler, betyr det at det er lekkasje. Du må koble på nytt eller skifte ut delen eller leddet med gasslekkasje.

- Ta testen på nytt etter å ha reparert feilen. Steng gasstilførselen på gassbeholderen i posisjon OFF etter testing.

MERK: Hvis du oppdager lekkasje som ikke kan utbedres, ikke forsøk å fikse det selv, rådfør deg i stedet med gassforhandleren.

- TENNING AV APPARATET

1. Åpne lokket og sørg for at alle knottene står avslått i posisjon OFF (●).
2. Trykk ned knotten og vri den mot klokken til HIGH-posisjonen, (🔥) trykk deretter på tenneren i 2-3 sekunder (du hører en lyd) til brenneren tennes. Hvis brenneren ikke tennes, skru av knotten og vent i 5 minutter før du gjentar prosessen.
3. Tilpass varmen ved å vri knotten til posisjonene HIGH (🔥)/LOW (🔥). Den bakre brenneren kan bare stilles i posisjonen HIGH.
4. For å tenne de andre brennerne gjentar du den samme prosessen inntil brennerne er tent.
5. For å skru av grillen, vri beholderventilen eller regulatorbyteren til OFF-posisjonen og vri deretter alle kontrollknottene på grillen med klokken til posisjonen OFF (●).

TENNING MED FYRSTIKK

1. Følg skritt 1-3 i instruksjonen over.
2. For å tenne hovedbrenneren, sett fyrstikken i fyrstikklenken og tenn den, før deretter fyrstikken inn i tennerhullet på høyre side av tennerboksen.
*For å tenne sidebrenneren, tenn fyrstikken og før den bort til hullene på sidebrennerens hode.
3. Trykk ned knotten og vri den mot klokken til HIGH-posisjonen (🔥), og så kan brenneren tennes. Hvis brenneren ikke tennes, steng av gassventilen og vent i 5 minutter før du gjentar skrittene 2-3. Sidebrenneren er designet for en gryte/panne med en diameter på 180-260 mm. Lokket til sidebrenneren kan ikke brukes til arbeidsbord. Ikke legg noe på sidebrennerlokket når det ikke er i bruk.

Før du tilbereder mat første gang, tenn alle hovedbrennerne og la dem brenne i 15 minutter med lokket på og knotten i posisjonen HIGH (🔥). Dette vil varmrense de indre delene og fjerne lukt fra den malte overflaten. Fargen på stekeområdet kan endre seg litt. Dette er helt normalt, det er slik materialet reagerer.

- RENGJØRING OG VEDLIKEHOLD

Rengjøring og vedlikehold bør utføres når apparatet er avkjølt og når gasstilførselen er stengt av på gassbeholderen.

IKKE ta brune eller svarte fett- og røykansamlinger for å være maling. Gassgriller er aldri malt innvendig fra fabrikk (og bør ALDRI bli malt). Bruk en sterk løsning med rengjøringsmiddel og vann eller grillrens og skrubbeborste på innsiden av grilllokket og grillbunnen. Skyll av og la den tørke helt.

IKKE påfør kaustisk grill- eller ovnsrens på malte overflater.

IKKE bruke slipende eller brennbare rengjøringsmidler. Det vil skade produktdelene og kan starte en brann.

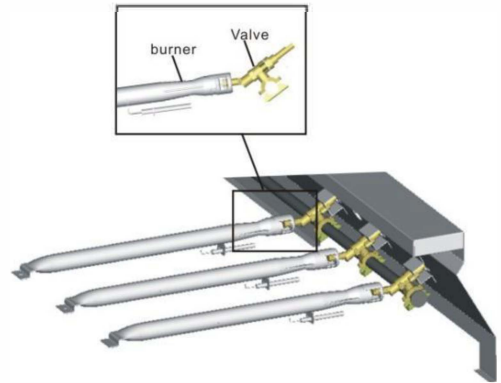
Rustfrie stålflater: Rustfritt stål vil ruste hvis det ikke blir godt vedlikeholdt. For å beholde kvalitetsutseendet kan du vaske den med varmt såpevann med mildt rengjøringsmiddel og tørke den med en myk ikke-slipende klut etter bruk. Bruk beskyttelsesvæske for rustfritt stål, som WD-40, på overflaten for å unngå rust.

Stekerist: Bruk en mild såpeblanding. På gjenstridige flekker kan du bruke ikke-slipende skurepulver. Skyll godt med vann etterpå.

RENGJØRING AV BRENNERSETTET

Følg disse instruksjonene for å rengjøre:

1. Steng gasstilførselen på knottene og beholderen.
2. Ta av stekerister, fettopsamlingspanne og fettkopp.
3. Løsne skruen i enden av brenneren med en skrutrekker.
4. Løft hver av brennerne forsiktig opp og bort fra ventilåpningene.
5. Vask hele overflaten på brenneren med en stålbørste for å fjerne matrester og smuss.
6. Rengjør blokkerte åpninger med en stiv ståltråd, for eksempel en åpnet binders.
7. Sjekk brenneren for skader, enkelte hull kan bli forstørret som følge av normal slitasje og korrosjon. Erstatt brenneren hvis du finner store sprekker eller huller.
8. Sett brennerne forsiktig på plass igjen.
9. Bytt ut skruen i enden av brenneren.
10. Erstatt fettopsamlingspanne og grillrister.



Inspiser brennere for skader (sprekker eller huller). Hvis den har skader, skift den ut med en ny brenner. Sett på brenneren igjen, kontroller at overflaten på gassventilene er riktig plassert og festet på innsiden av brenneråpningen. Brennerørene kan rengjøres på tre måter. Bruk den som er enklest for deg.

(A) Bøy en stiv ståltråd (en lett kleshenger fungerer godt) til en liten krok. Skyv kroken gjennom brennerør og brenner flere ganger.



(B) Bruk en smal flaskebørste med fleksibelt håndtak (IKKE BRUK en messingbørste), skyv børsten gjennom brennerør og brenner flere ganger.

(C) Bruk øyebeskyttelse: bruk en luftslange for å tvinge luft inn i brennerøret og ut gjennom luftåpningene. Sjekk hver åpning for å kontrollere at det kommer ut luft i hvert hull.

⚠ CAUTION

MERK: NATURLIG FARE EDDERKOPPER

FAKTA: Edderkopper og andre insekter kan av og til klatre inn i rørene forbundet til brennerne. Edderkoppene lager spindelvev, bygger bol og legger egg. Spindelveven og bolene kan være veldig små, men de er veldig solide og kan blokkere strømmen av gass. Rengjør brennerne før bruk etter oppbevaring, før grillsesongen starter eller etter at den har stått ubrukt i en måned.



Edderkoppssperrene på luftinntakene er et forsøk på å redusere problemet, men det vil ikke eliminere det! En blokkering kan resultere i et «tilbakeslag» (brann i brennerørene). Grillen kan fortsatt tennes, men blokkeringen hindrer full gassgjennomførsel til brennerne.

FEILSØKING

Problem	Mulig årsak	Forebygging/løsning
Brenner(e) vil ikke tennes.	<ul style="list-style-type: none"> • Ingen gasstilførsel. • Koblingsmutter og regulator er ikke ordentlig tilkoblet. • Blokkert gasstilførsel. • Brenneren er koblet fra ventilen. • Er grillen riktig montert? 	<ul style="list-style-type: none"> • Kontroller om gassbeholderen er tom. • Drei koblingsmutteren ytterligere mellom en halv og to-tredjedels omdreining til den stopper helt. Stram til med hånden, unngå bruk av verktøy. • Rengjør brennerrøret/rørene. • Koble sammen brenner og ventil igjen. • Kontroller stegene i monteringsanvisningen.
Plutselig fall i gasstilførsel eller lav flamme.	<ul style="list-style-type: none"> • Tomt for gass. • Sikkerhetsventilen har løst ut. 	<ul style="list-style-type: none"> • Kontroller om det er gass i beholderen. • Slå av brytere, vent i 30 sekunder og tenn grillen. Hvis flammen fortsatt er lav, slå av bryterne og lukke ventilen på gassbeholderen. Koble fra regulatoren. Koble til regulatoren igjen og foreta en lekkasjetest. Åpne ventilen på gassbeholderen, vent i 30 sekunder og tenn grillen.
Flammen slokker.	<ul style="list-style-type: none"> • Sterk vind eller kraftige vindkast. • Lite gass i beholderen. • Sikkerhetsventilen har løst ut. 	<ul style="list-style-type: none"> • Snu forsiden av grillen mot vinden eller øk høyden på flammen. • Skift til en ny gassbeholder. • Se «plutselig fall i gasstilførsel» over.
Grillflammen blusser opp.	<ul style="list-style-type: none"> • Det har bygd seg opp mye fett. • Kjøttet inneholder for mye fett. • For høy tilberedningstemperatur. 	<ul style="list-style-type: none"> • Rengjør grillen. • Skjær vekk fett fra kjøttet før det grilles. • Juster (senk) temperaturen etter behov.
Vedvarende fettbrann.	<ul style="list-style-type: none"> • Det har satt seg fett fra maten rundt brennersystemet. 	<ul style="list-style-type: none"> • Drei bryterne til OFF. Lukk gasstilførselen på beholderen. La lokket ligge på og la flammene brenne ut. • Fjern og rengjør alle deler etter at grillen er avkjølt.
Flashback...(brann i brennerrøret/rørene).	<ul style="list-style-type: none"> • Brenneren og/eller brennerrørene er tilstoppet. 	<ul style="list-style-type: none"> • Drei bryterne til OFF. Rengjør brenneren og/eller brennerrørene.

TEKNISK INFORMASJON

Apparatets navn	GASGRILL TIL UDENDØRS BRUG		CE 2531DM-0020	
Modellnr.	HH200-F/SUNC-SLG2B-7960SS/ SUNC-SLG2B-7972BLACK			HH200-F/SUNC-SLG2B-7981SS-GER/ SUNC-SLG2B-7984BLACK-GER
Appa ratkategori	I3+(28-30/37)		I3B/P(30)	I3B/P(50)
Type gass	Butan	Propan	Butan, propan eller en blanding av disse	Butan, propan eller en blanding av disse
Gasstrykk	20-30 mbar	37 mbar	30 mbar	50 mbar
Varmetilførsel	3.5 kW		3.5 kW	3.5 kW
Total varmetilførsel (Qn)	7 kW		7 kW	7 kW
	(509 g/h)		(509 g/h)	(509 g/h)
Injektor	0.93 mm		0.93 mm	0.82 mm
Destinasjonsland	BE, FR, IT, LU, IE, GB, GR, PT, ES, CY, CZ, LT, SK, CH, SI, LV		LU, NL, DK, FI, SE, CY, CZ, EE, LT, MT, SK, SI, BG, IS, NO, TR, HR, RO, IT, HU, LV	AT, DE, SK, CH, LU

Apparatets navn	GASGRILL TIL UDENDØRS BRUG		CE 2531DM-0020	
Modellnr.	HH500-F/SUNC-SLG5B-7961SS/ SUNC-SLG5B-7973BLACK			HH500-F/SUNC-SLG5B-7982SS-GER/ SUNC-SLG5B-7985BLACK-GER
Appa ratkategori	I3+(28-30/37)		I3B/P(30)	I3B/P(50)
Type gass	Butan	Propan	Butan, propan eller en blanding av disse	Butan, propan eller en blanding av disse
Gasstrykk	20-30 mbar	37 mbar	30 mbar	50 mbar
Varmetilførsel	3.5 kW		3.5 kW	3.5 kW
Total varmetilførsel (Qn)	17.5 kW		17.5 kW	17.5 kW
	(1273 g/h)		(1273 g/h)	(1273 g/h)
Injektor	0.93 mm		0.93 mm	0.82 mm
Destinasjonsland	BE, FR, IT, LU, IE, GB, GR, PT, ES, CY, CZ, LT, SK, CH, SI, LV		LU, NL, DK, FI, SE, CY, CZ, EE, LT, MT, SK, SI, BG, IS, NO, TR, HR, RO, IT, HU, LV	AT, DE, SK, CH, LU

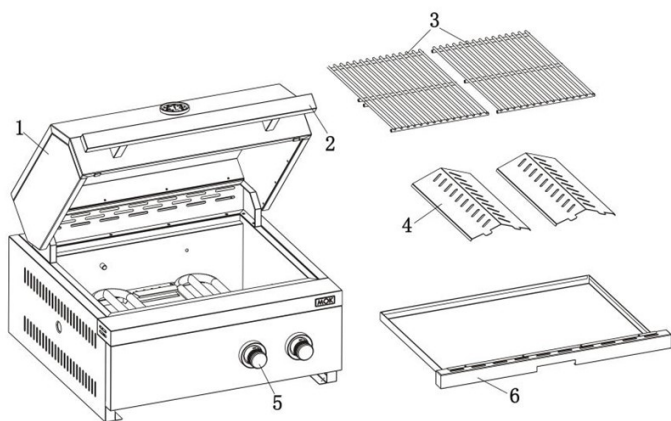
***0,93 mm indikerer at injektordiameteren er 0,93 mm.**

MONTERINGSVEILEDNING

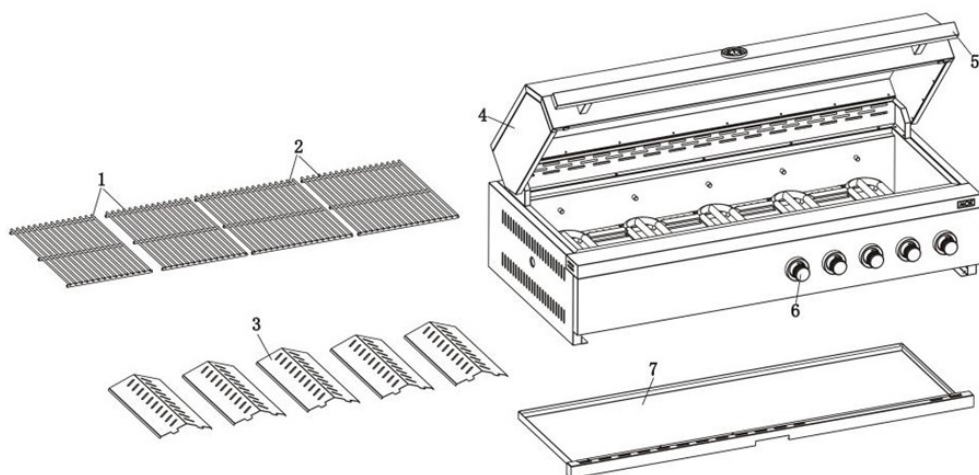
1. Skrutrekker
2. Hansker (hvis nødvendig)



SPLITTEGNING

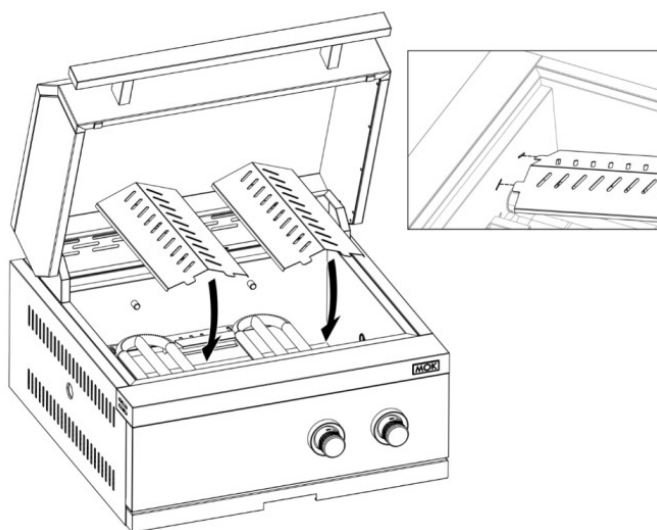


#	Betegnelse	#	Betegnelse
1	Lokk	4	Flammespreder
2	Håndtak for lokk	5	Kontrollknapp
3	Stekerist	6	Fettopsamlingsfat

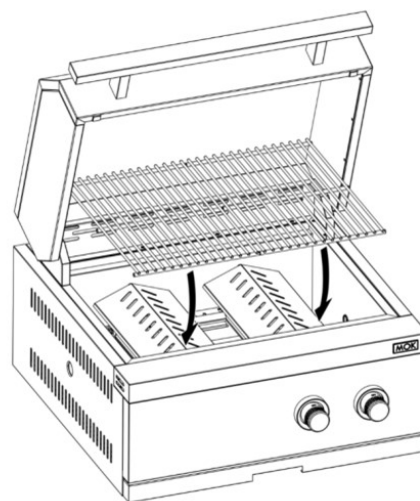


#	Betegnelse	#	Betegnelse
1	Stekerist-A	5	Håndtak for lokk
2	Stekerist-B	6	Kontrollknapp
3	Flammespreder	7	Fettopsamlingsfat
4	Lokk		

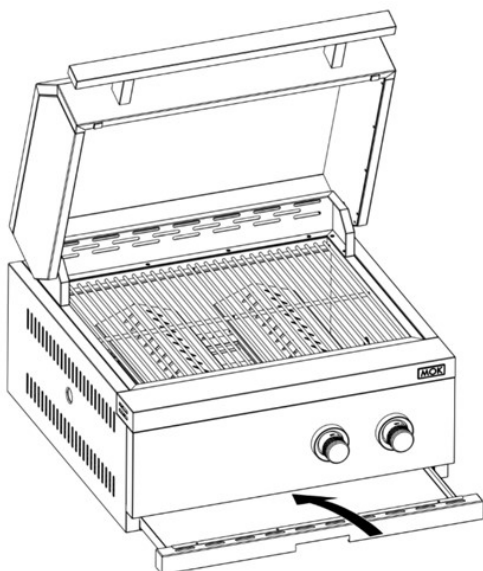
1. FLAMMESPREDERMONTASJE



2. MONTERING STEKERIST



3. FETTOPPSAMLINGSFAT



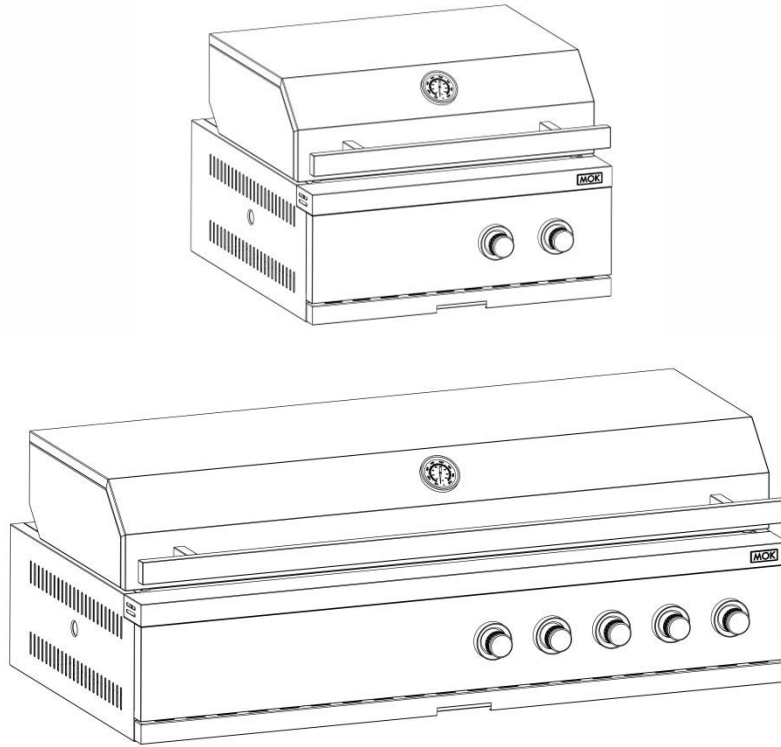
Lindström & Sondén AB
Havsbadvagen 1, 262 63 Ängelholm, Sverige

Kundservice: info@myoutdoorkitchen.no



FI

Käyttö- ja asennusohjeet



KAASUGRILLI

Mallit:

HH200-F, SUNC-SLG2B-7960SS, SUNC-SLG2B-7981SS-GER,
SUNC-SLG2B-7972BLACK, SUNC-SLG2B-7984BLACK-GER

HH500-F, SUNC-SLG5B-7961SS, SUNC-SLG5B-7982SS-GER,
SUNC-SLG5B-7973BLACK, SUNC-SLG5B-7985BLACK-GER

-KÄYTÄ VAIN ULKONA.

-LUE OHJEET ENNEN LAITTEEN KÄYTTÖÄ.

-VAROITUS: OSAT SAATTAVAT KUUMENTUA. PIDÄ LAPSET ETÄÄLLÄ

-LAITE ON PIDETTÄVÄ KÄYTÖN AIKANA ERILLÄÄN SYTTYVISTÄ MATERIAALEISTA.

-SULJE KAASUN TULO KAASUPULLOSTA KÄYTÖN JÄLKEEN.

Lindström & Sondén AB

Havsbadsvägen 1, 262 63 Ängelholm, Ruotsi

TOIMI NÄIN:

- Kiristä kaikki kaasuliittimet kiintoavaimella.
- Tarkista kaikki kaasuletkut ja liitännät vaurioiden, viiltojen tai halkeamien varalta aina ennen laitteen käyttöä.
- Tee aina vuototesti saippuavedellä.
- Tarkista kaikki polttimet säännöllisesti hyönteisverkkojen, hämähäkkien, muurahaisten jne. varalta. Verkot on poistettava kokonaan.
- Täytä kaasupullo valtuutetulla kaasuntoimittajalla.
- Käytä aina suojakäsineitä, kun käsittelet kuumia komponentteja.
- Puhdista ja huolla laite jokaisen käyttökerran jälkeen.
- KÄYTÄ grilliä vähintään 1,0 metrin päässä seinistä tai pinnoista, palavista materiaaleista, bensiinistä, sytytysnesteistä tai höyryistä.
- Kun grilliä kuumennetaan jokaisen käyttökerran jälkeen (noin 15 minuuttia), ruoanjäämät "palavat" pois.

ÄLÄ:

- Kumarru laitteen päälle, kun sytytät sitä.
- Säilytä palavaa materiaalia, bensiiniä tai syttyviä nesteitä tai höyryjä laitteen läheisyydessä.
- Käytä laitetta, jos jokin suojus on päällä.
- Käytä laitteessa muovisia tai lasiastia astioita.
- Käytä laitetta voimakkaassa tuulessa.
- Pura säätöventtiilejä.
- Testaa kaasuvuotoja paljaalla liekillä.
- Säilytä varakaasupulloja kaapissa.
- Aseta kaasupulloa kyljelleen (pidä se aina pystyssä).
- Käytä laitetta sisätiloissa.
- Tee muutoksia laitteen rakenteisiin tai muuta polttimen, suuttimen tai muiden komponenttien kokoa.
- Siirrä laitetta käytön aikana.
- Estä laitteen ilmanvaihtoa.
- Anna kaasuletkun tai sähköjohdon koskettaa mitään laitteen lämmitettyä pintaa.
- Käytä tässä laitteessa puuhiiltä tai muuta kiinteää polttoainetta.
- Irrota kaasuliittimiä, kun laite on käytössä.
- Käytä ruostunutta tai kolhiintunutta kaasupulloa, jossa on vaurioitunut kaasuventtiili.
- Täytä kaasupulloa yli 80 %:n.

KAASULUOKKA

Tämä laite on tarkoitettu käytettäväksi ainoastaan matalapaineisella butaani-, propaani- tai niiden seoskaasulla, joka syötetään asianmukaisella matalapainesäätimellä taipuisan letkun kautta. Laite on säädetty toimimaan:

- 28-30 mbar säädin butaanikaasulla luokassa I3+.
- 37 mbar säädin propaanikaasulla luokassa I3+.
- 37 mbar säädin butaanilla, propaanilla tai niiden seoksilla luokassa I3B/P(37).
- 30 mbarin tai 50 mbarin säädin butaanilla, propaanilla tai niiden seoksilla luokassa I3B/P(30) tai luokassa I3B/P(50).

VARO: Laitteessa saa käyttää vain tyyppikilvessä mainittua kaasutyyppiä ja kaasuluokkaa.

KAASULETKU JA KAASUSÄÄDIN

Käytä vain LP-kaasulle hyväksytyä säädintä ja letkua oikeilla paineilla. Paineensäätimen on oltava standardin EN12864 ja sen asennusmaan voimassa olevien määräysten mukainen, jotka löytyvät lähimmältä kaasutarvikkeiden jälleenmyyjältä. Katso Tekniset tiedot. Säädettävän paineen käyttö on ehdottomasti kielletty.

On suositeltavaa vaihtaa säädin 10 vuoden sisällä valmistuspäivämäärästä laskien tai kun kansalliset määräykset edellyttävät.

Vaihdettavan letkutyyppin on täytettävä EN1763-1-luokan 3 vaatimukset. Käytettävän letkun täytyy olla käyttömaan asianmukaisen standardin mukainen. Letkun pituuden on oltava vähintään 0,7 m ja enintään 1,5 m. Kulunut tai vaurioitunut letku on vaihdettava.

Varmista, että letku ei ole tukkiintunut, mutkalla tai kosketuksissa laitteen kanssa lukuun ottamatta sen liitântäkohtaa. Suosittelemme, että letku vaihdetaan 1 vuoden sisällä valmistuspäivämäärästä laskien tai kun kansalliset määräykset edellyttävät. Varmista, että letku ei väänny huollon tai asennuksen aikana.

VARO: Laite on tarkoitettu käytettäväksi säätimen ja letkukokonaisuuden kanssa. Jos valmistaja ei ole toimittanut niitä, käyttäjän on valittava hyväksytyt säädin ja letku, jotka ovat standardin ja paikallisten määräysten mukaisia.

- LAITTEEN VARASTOINTI

Kun laite ei ole käytössä, varastointi sisätiloissa on sallittu vain, jos kaasupullo on irrotettu ja poistettu laitteesta. Kun laitetta ei käytetä vähään aikaan, se pitää laittaa alkuperäiseen pakkaukseensa ja säilyttää kuivassa ja pölyttömässä ympäristössä.

- KAASUPULLO

Kaasupulloa ei saa pudottaa tai käsitellä kovakouraisesti! Jos laitetta ei käytetä, pullo täytyy irrottaa. Kaasupulloa vaihdettaessa on noudatettava varovaisuutta, ja kaasupullo on vaihdettava kaukana syttymislähteistä.

Kaasupullot on säilytettävä ulkona pystyasennossa ja lasten ulottumattomissa. Kaasupulloa ei saa koskaan säilyttää paikassa, jossa lämpötila voi nousta yli 50 °C:n. Kaasupulloa ei saa säilyttää avotulen, sytytysliekin tai muiden sytytyslähteiden lähellä.

VARO: Laitteen sisällä voidaan käyttää enintään 5 kg kaasupulloja.

- KAASUN LIITTÄMINEN LAITTEeseen

Varmista ennen liittämistä, ettei kaasupullon, säätimen, polttimen ja polttimen osien päähän ole jäänyt roskia. Jos letku vaihdetaan, se on kiinnitettävä laitteen ja säätimen liitântöihin.

Kytkenän jälkeen on tehtävä **kaasuvuotojen tarkastus**. Noudata seuraavaa menetelmää kaasuvuodon tarkistamiseksi.

- Varmista, että säätöventtiili on OFF-asennossa.
- Liitä kaasupullo säätimeen sekä säädin ja letku laitteeseen. Varmista, että liittimet on kiristetty ja käännä säätöventtiili ON-asentoon.
- Sivele saippualliuosta letkuun ja kaikkiin liitoksiin. Jos kuplia näkyy, se ilmaisee vuodon. Vuotava osa tai liitos on kytkettävä uudelleen tai vaihdettava.
- Kun vika on korjattu, testaa kohta uudelleen. Sulje kaasupullon venttiili.

VARO: Jos vuoto havaitaan eikä sitä voi korjata, älä yritä korjata vuotoa itse, vaan ota yhteys nestekaasun toimittajaan.

- LAITTEEN SYTYTTÄMINEN

1. Avaa kansi ja varmista, että kaikki nupit ovat OFF(●)-asennossa.
2. Paina nappi alas ja käännä sitä samalla vastapäivään asentoon HIGH (🔥). Paina sitten sytytintä 2-3 sekunnin ajan (kuuluu ääni), jolloin poltin syttyy. Jos poltin ei syty, käännä nappi pois päältä ja odota 5 minuuttia ja toista sitten tämä prosessi.
3. Säädä lämpöä kääntämällä nuppia HIGH(🔥)/LOW(🔥)-asentoon. Takapoltin on asetettu vain HIGH-asentoon.
4. Jos haluat sytyttää muita polttimia, toista sama prosessi viereiselle polttimelle ja jatka peräkkäin, kunnes kaikki polttimet on sytytetty.
5. Sammuta grilli kääntämällä pullon venttiili tai säätimen kytkin OFF-asentoon säätimen käyttöohjeiden mukaisesti ja kääntämällä sitten kaikki grillin säätönupit myötäpäivään OFF (●)-asentoon.

SYTYTTÄMINEN TULITIKKULLA

1. Noudata edellä olevia vaiheita 1-3.
2. Sytytä pääpoltin asettamalla tulitikku tulitikunpitiimen ketjuun ja sytytä tulitikku, laita sitten tulitikku tulipesän oikealla puolella olevaan sytytysreikään.

*Sytytä sivupoltin asettamalla sytytetty tulitikku sivupolttimen pään reikien päälle.

3. Paina ja käännä nappi vastapäivään HIGH(🔥)-asentoon, jolloin poltin voidaan sytyttää. Jos poltin ei syty, sulje kaasuhana ja odota 5 minuuttia ja toista sitten vaiheet 2-3.
Sivupoltin on tarkoitettu kattilalle/pannulle, jonka halkaisija on 180-260 mm. Sivupolttimen kantta ei voi käyttää työpöytänä, älä laita mitään sivupolttimen kannen päälle, kun se ei ole käytössä.
Ennen ensimmäistä grillauskertaa sytytä kaikki pääpolttimet ja kuumenna grilliä 15 minuuttia kansi suljettuna ja nappi HIGH (🔥)-asennossa. Näin sisäosat saadaan "puhdistettua" lämmön avulla, ja samalla päästään eroon peitemaaliin mahdollisista tuoksuista. Grillausalueen väri voi muuttua hieman. Se on normaalia, ja se kuuluu materiaalin luonteeseen.

- PUHDISTUS JA HOITO

Puhdista ja huolla laite käytön jälkeen vain silloin, kun se on jäähtynyt ja kun pullon kaasunsyöttö on OFF-asennossa.

ÄLÄ erehdy luulemaan ruskeaa tai mustaa rasvan ja savun kertymää maaliksi. Kaasugrillien sisäosia ei ole maalattu tehtaalla (eikä niitä saisi KOSKAAN maalata). Levitä vahvaa pesuaineen ja veden liuosta tai käytä grillin puhdistusainetta ja hankausharjaa grillin kannen ja pohjan sisäpuolella. Huuhtelee ja anna kuivua täysin.

ÄLÄ käytä emäksistä grillin-/uunipuhdistusainetta maalatuilla pinoilla.

ÄLÄ käytä hankaavia tai syttyviä puhdistusaineita, sillä ne vahingoittavat tuotteen osia ja voivat aiheuttaa tulipalon.

Ruostumattomat teräspinnat: Ruostumaton teräs ruostuu, jos sitä ei huolleta hyvin. Säilyttääksesi grillin aadukkaan ulkonäön, pese se miedolla pesuaineella ja lämpimällä saippuavedellä ja pyyhi kuivaksi pehmeällä, hankaamattomalla

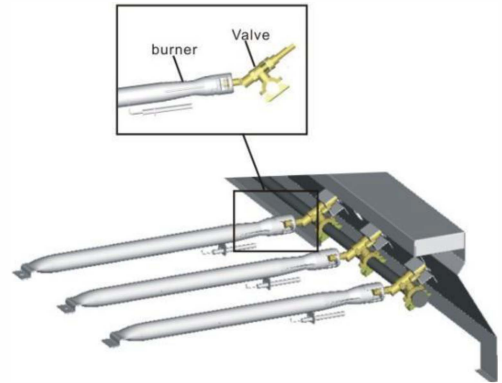
liinalla jokaisen käyttökerran jälkeen. Käytä ruostumattoman teräksen pintaan ruosteen välttämiseksi ruosteenestoainetta, kuten WD-40:tä.

Grillausritilä: Käytä mietoa saippualliuosta. Hankaliin tahroihin voi käyttää naarmuttamatonta hankausjauhetta, jonka jälkeen pinta huuhdellaan vedellä.

POLTTIMEN PUHDISTAMINEN

Noudata seuraavia puhdistusohjeita:

1. Sulje kaasu säätönupeista ja kaasupullosta.
2. Irrota ritilät, rasvapelti ja rasvakuppi.
3. Irrota polttimen päässä oleva ruuvi ruuvimeisselillä.
4. Nosta kukin poltin varovasti ylös ja pois venttiiliaukoista.
5. Harjaa koko polttimen ulkopinta teräsharjalla ruokajäämien ja lian poistamiseksi.
6. Puhdista tukkeutuneet aukot jäykällä langalla, esimerkiksi avatulla paperiliittimellä.
7. Tarkista poltin vaurioiden varalta, sillä normaalin kulumisen ja korroosion vuoksi jotkin reiät voivat laajentua. Jos polttimessa on suuria halkeamia tai reikiä, vaihda poltin.
8. Asenna polttimet varovasti takaisin paikoilleen.
9. Aseta ruuvi takaisin polttimen päähän.
10. Asenna rasvapelti ja ritilät.



Tarkasta polttimen mahdolliset vauriot (halkeamat tai reiät). Jos vaurioita löytyy, vaihda tilalle uusi poltin. Asenna poltin takaisin paikoilleen, varmista, että kaasuventtiilin aukot on kohdistettu ja kiinnitetty oikein polttimen sisään.

Ehdotamme kolmea tapaa puhdistaa poltinputket. Käytä sitä, joka on sinulle helpointa.

- (A) Taivuta jäykästä langasta (kevyt vaateripustin toimii hyvin) pieni koukku. Työnnä koukku jokaisen poltinputken ja polttimen läpi useita kertoja.
- (B) Käytä kapeaa pulloharjaa, jossa on taipuisa kahva (ÄLÄ käytä messinkilankaharjaa), ja vedä harja jokaisen poltinputken ja polttimen läpi useita kertoja.
- (C) Käytä silmiensuojaimia: Käytä ilmaletkua pakottaaksesi ilmaa poltinputkeen ja ulos ilma-aukoista. Tarkista, että ilmaa tulee jokaisesta reiästä.



⚠ CAUTION

VARO: HÄMÄHÄKIT

FAKTA: joskus hämähäkit ja muut hyönteiset kiipeävät polttimiin kiinnitettyihin grilliputkiin. Hämähäkit kehraävät verkkoja, rakentavat pesiä ja munivat munia. Verkot tai pesät voivat olla hyvin pieniä, mutta ne ovat hyvin vahvoja ja voivat estää kaasun virtauksen. Puhdista polttimet ennen käyttöä varastoinnin jälkeen, grillikauden alussa tai kuukauden käyttämättömyyden jälkeen.



Ilmanottoaukoissa on hämähäkkisuoijat ongelman vähentämiseksi, mutta ne eivät poista sitä! Tukkeuma voi aiheuttaa "takaiskun" (tulipalon polttimen putkissa). Grilli saattaa silti syttyä, mutta kaasu ei pääse täysin virtaamaan polttimiin.

VIANETSINTÄ

Ongelma	Mahdollinen syy	Ennaltaehkäisy/ratkaisu
Poltin/polttimet ei syty.	<ul style="list-style-type: none"> •Kaasua ei tule. •Liitosmutteri ja säädin eivät kosketa toisiaan kunnolla. •Kaasuvirran este. •Polttimen irtoaminen venttiilistä.. •Onko grilli koottu oikein? 	<ul style="list-style-type: none"> • Tarkista, onko kaasupullo tyhjä. • Kiristä liitosmutteria noin 1/2–3/4 kierrosta vasteeseen saakka. Kiristä vain käsin, älä käytä työkaluja. • Puhdista poltinputki (putket). • Kiinnitä poltin ja venttiili uudelleen. • Tarkista vaiheet asennusohjeista.
Kaasuvirtaus pienenee äkillisesti tai pieni liekki.	<ul style="list-style-type: none"> •Kaasu loppu. •Varoventtiili on lauennut. 	<ul style="list-style-type: none"> • Tarkasta kaasupullo. • Käännä nupit OFF-asentoon, odota 30 sekuntia ja sytytä grilli. Jos liekit ovat edelleen pieniä, sulje nupit ja kaasupullon venttiili. Irrota säädin. Liitä säädin uudelleen ja tee vuototesti. Avaa kaasupullon venttiili, odota 30 sekuntia ja sytytä grilli.
Liekki sammuu.	<ul style="list-style-type: none"> •Voimakas tai puuskittainen tuuli. •Nestekaasu vähissä. •Varoventtiili on lauennut. 	<ul style="list-style-type: none"> • Käännä grillin etupuoli suojaan tuulelta tai suurena liekkiä. • Vaihda kaasupullo. • Katso kohta "Kaasuvirtaus pienenee äkillisesti".
Liekki leimahtaa.	<ul style="list-style-type: none"> •Rasvaa kertynyt liikaa. •Liha on liian rasvaista. •Liian korkea grillauslämpötila. 	<ul style="list-style-type: none"> • Puhdista grilli. • Poista lihasta rasva ennen grillaamista. • Säädä (alenna) lämpötilaa.
Liekki leimahtaa jatkuvasti.	<ul style="list-style-type: none"> •Ruoanjäämiin kertynyttä rasvaa poltinjärjestelmän ympärillä. 	<ul style="list-style-type: none"> • Käännä nupit OFF-asentoon. Sulje kaasunsyöttö kaasupullosta. Jätä kansi kiinni ja anna rasvan palaa loppuun asti. • Kun grilli on jäähtynyt, irrota ja puhdista kaikki osat.
Takaisku... (tuli poltinputkessa tai putkissa).	<ul style="list-style-type: none"> • Poltin ja/tai poltinputket ovat tukossa.. 	<ul style="list-style-type: none"> • Käännä nupit OFF-asentoon. Puhdista poltin ja/ tai polttimen putket.

TEKNISET TIEDOT

Laitteen nimi	KAASUGRILLI		CE 2531DM-0020	
Mallinumero	HH200-F/SUNC-SLG2B-7960SS/ SUNC-SLG2B-7972BLACK		HH200-F/SUNC-SLG2B-7981SS-GER/ SUNC-SLG2B-7984BLACK-GER	
Laitteen luokka	I3+(28-30/37)		I3B/P(30)	I3B/P(50)
Kaasutyyppi	Butaani	Propaani	Butaani, propaani tai niiden seos	Butaani, propaani tai niiden seos
Kaasun paine	20-30 mbar	37 mbar	30 mbar	50 mbar
Lämmöntuotto	3.5 kW		3.5 kW	3.5 kW
Kulutus täydellä teholla (Qn)	7 kW		7 kW	7 kW
	(509 g/h)		(509 g/h)	(509 g/h)
Injektori	0.93 mm		0.93 mm	0.82 mm
Kohdemaat	BE, FR, IT, LU, IE, GB, GR, PT, ES, CY, CZ, LT, SK, CH, SI, LV		LU, NL, DK, FI, SE, CY, CZ, EE, LT, MT, SK, SI, BG, IS, NO, TR, HR, RO, IT, HU, LV	AT, DE, SK, CH, LU

Laitteen nimi	KAASUGRILLI		CE 2531DM-0020	
Mallinumero	HH500-F/SUNC-SLG5B-7961SS/ SUNC-SLG5B-7973BLACK		HH500-F/SUNC-SLG5B-7982SS-GER/ SUNC-SLG5B-7985BLACK-GER	
Laitteen luokka	I3+(28-30/37)		I3B/P(30)	I3B/P(50)
Kaasutyyppi	Butaani	Propaani	Butaani, propaani tai niiden seos	Butaani, propaani tai niiden seos
Kaasun paine	20-30 mbar	37 mbar	30 mbar	50 mbar
Lämmöntuotto	3.5 kW		3.5 kW	3.5 kW
Kulutus täydellä teholla (Qn)	17.5 kW		17.5 kW	17.5 kW
	(1273 g/h)		(1273 g/h)	(1273 g/h)
Injektori	0.93 mm		0.93 mm	0.82 mm
Kohdemaat	BE, FR, IT, LU, IE, GB, GR, PT, ES, CY, CZ, LT, SK, CH, SI, LV		LU, NL, DK, FI, SE, CY, CZ, EE, LT, MT, SK, SI, BG, IS, NO, TR, HR, RO, IT, HU, LV	AT, DE, SK, CH, LU

***0,93 mm tarkoittaa, että suuttimen halkaisija on 0,93 mm.**

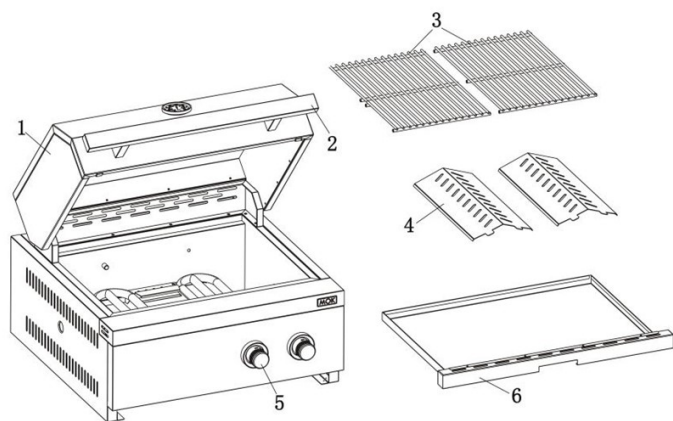
ASENNUSOHJE

Tarvittavat työkalut:

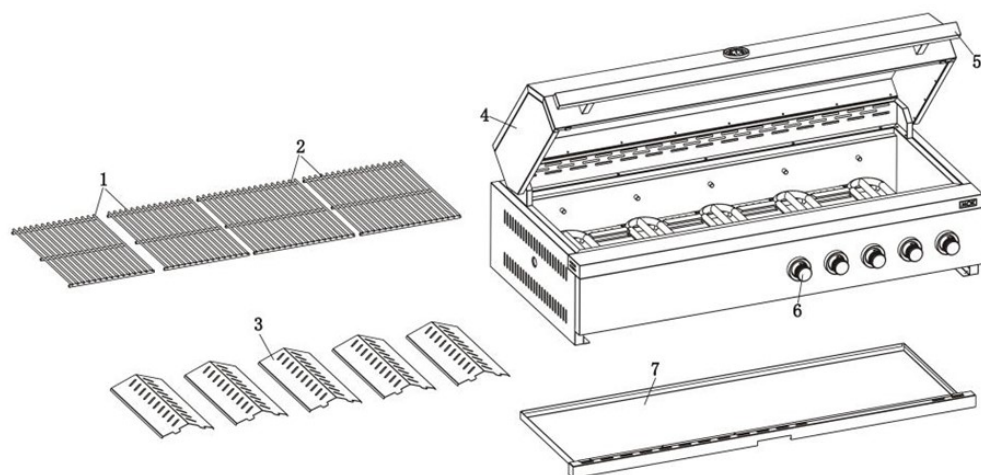
1. Ruuvitaltta
2. Käsineet (tarvittaessa)



RÄJÄYTYSKUVA

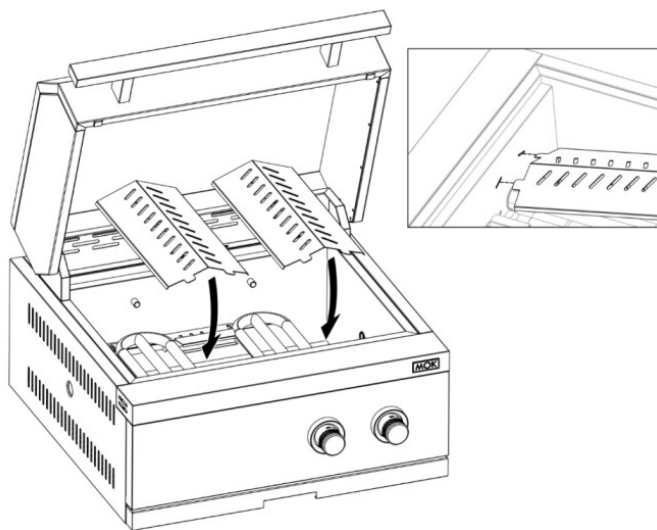


#	Osan nimi	#	Osan nimi
1	Kansi	4	Lämmönjakolevyn
2	Kannen kahva	5	Säätönuppi
3	Grillausritilän	6	Rasvapelti

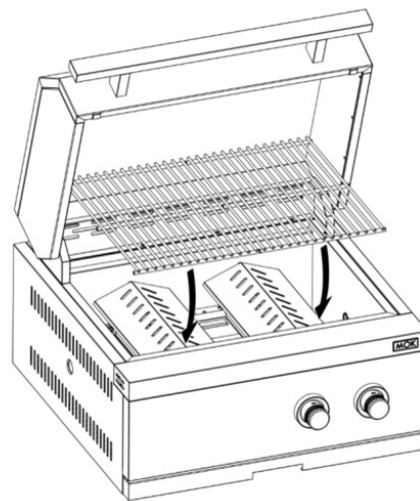


#	Part name	#	Part name
1	Grillausritilän-A	5	Kannen kahva
2	Grillausritilän-B	6	Säätönuppi
3	Lämmönjakolevyn	7	Rasvapelti
4	Kansi		

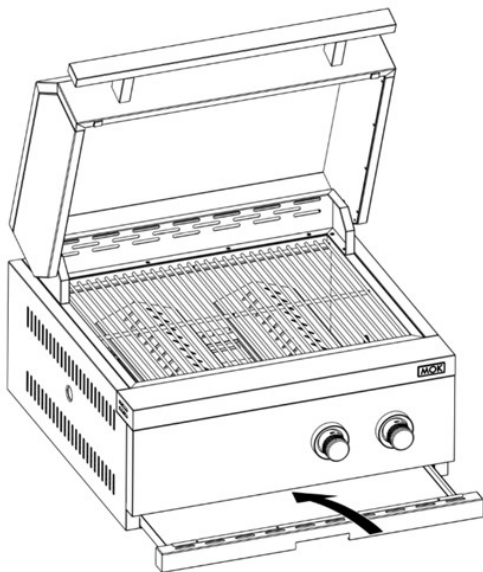
1. LÄMMÖNJAKOLEVYN ASENNUS



2. GRILLAUSRITILÄN ASENNUS



3. RASVAPELTI

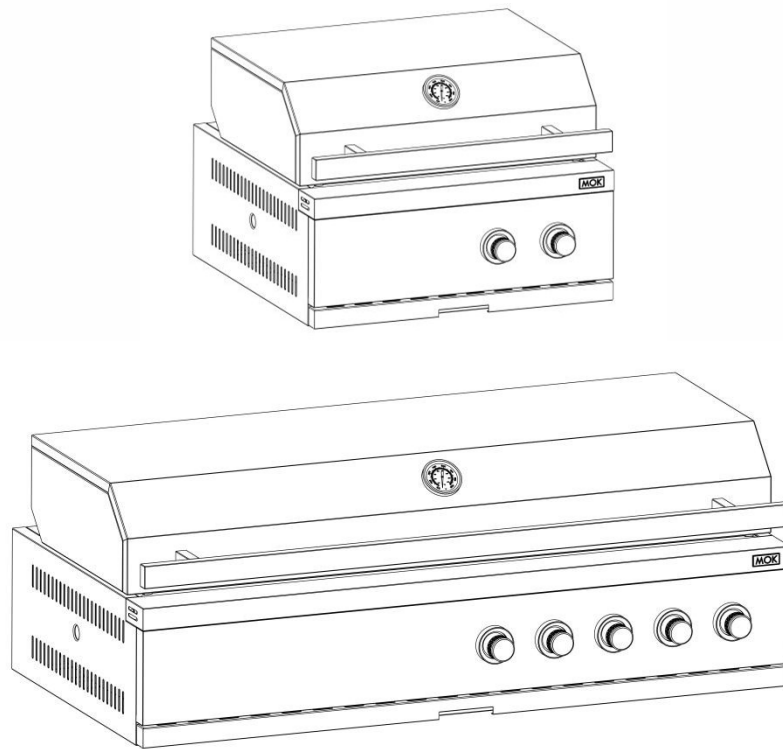


Lindström & Sondén AB
Havsbadsvagen 1, 262 63 Ängelholm, Ruotsi

Asiakaspalvelu: info@minunulkokeittio.fi



Benutzerhandbuch und Installationsanleitung



GASGRILL FÜR DEN GEBRAUCH IM FREIEN

Modelle:

HH200-F, SUNC-SLG2B-7960SS, SUNC-SLG2B-7981SS-GER,
SUNC-SLG2B-7972BLACK, SUNC-SLG2B-7984BLACK-GER

HH500-F, SUNC-SLG5B-7961SS, SUNC-SLG5B-7982SS-GER,
SUNC-SLG5B-7973BLACK, SUNC-SLG5B-7985BLACK-GER

- DAS GERÄT DARF NUR IM FREIEN VERWENDET WERDEN.
- VOR VERWENDUNG DES GERÄTES BITTE DIE BEDIENUNGSANLEITUNG LESEN.
- WARNUNG: ZUGÄNGLICHE TEILE KÖNNEN SEHR HEIß SEIN. HALTEN SIE KLEINE KINDER FERN.
- DIESES GERÄT MUSS WÄHREND DES GEBRAUCHS VON BRENNBAREN MATERIALIEN FERNGEHALTEN WERDEN.
- SCHALTEN SIE DIE GASZUFUHR AN DER GASFLASCHE NACH DEM GEBRAUCH AB.

DAS SOLLTEN SIE TUN:

- Ziehen Sie alle Gasverschraubungen mit einem Schraubenschlüssel fest.
- Prüfen Sie alle Gasschläuche und Leitungsanschlüsse vor jedem Gebrauch des Gerätes auf Beschädigungen, Schnitte oder Risse.
- Führen Sie die Dichtigkeitsprüfung immer mit Seifenwasser durch.
- Kontrollieren Sie alle Brenner regelmäßig auf Insektenester wie Spinnen, Ameisen usw. Spinnennetze, etc. müssen vollständig entfernt werden.
- Lassen Sie die Gasflasche von einem autorisierten Gaslieferanten füllen.
- Tragen Sie beim Umgang mit heißen Bauteilen immer Schutzhandschuhe.
- Reinigen und pflegen Sie das Gerät nach jedem Gebrauch.
- STELLEN Sie den Grill mindestens 1,0 m von jeder Wand oder Oberfläche, brennbarem Material, Benzin, brennbaren Flüssigkeiten oder Dämpfen entfernt AUF.
- Durch das "Abbrennen" des Grills nach jedem Gebrauch (ca. 15 Minuten) werden übermäßige Speiserückstände auf ein Minimum reduziert.

DAS DÜRFEN SIE NICHT TUN:

- Sich beim Anzünden über das Gerät beugen.
- Lagern Sie brennbares Material, Benzin oder entflammare Flüssigkeiten oder Dämpfe nicht in der Nähe des Gerätes.
- Verwenden Sie das Gerät nicht mit aufgesetzter Abdeckung.
- Verwenden Sie auf dem Gerät keine Utensilien aus Kunststoff oder Glas.
- Verwenden Sie das Gerät nicht bei starkem Wind.
- Demontieren Sie die Steuerventile nicht.
- Keine Prüfung auf Gaslecks mithilfe offener Flamme.
- Bewahren Sie keine Ersatzgasflaschen im Schrank unter dem Gerät auf.
- Legen Sie die Gasflaschen niemals hin (sie müssen immer aufrecht stehen).
- Verwenden Sie das Gerät niemals in Innenräumen.
- Die Konstruktion des Gerätes oder die Größe eines Brenners, der Einspritzdüse oder anderer Komponenten dürfen nicht verändert werden.
- Bewegen Sie das Gerät nicht während des Gebrauchs.
- Behindern Sie nicht eine eventuelle Belüftung des Gerätes.
- Der flexible Gasversorgungsschlauch oder ein elektrisches Kabel darf nicht mit einer beheizten Oberfläche des Gerätes in Kontakt kommen.
- Verwenden Sie niemals Holzkohle oder andere feste Brennstoffe.
- Trennen Sie niemals die Gasanschlüsse, während das Gerät in Betrieb ist.
- Verwenden Sie keine rostigen oder verbeulten Gasflaschen mit einem beschädigten Gasventil.
- Füllen Sie die Gasflasche nie über den 80% der Kapazität.

- GAS-KATEGORIE

Dieses Gerät ist nur für den Betrieb mit Niederdruck-Butan, Propan oder deren Mischgas geeignet und mit dem entsprechenden Niederdruckregler über einen flexiblen Schlauch ausgestattet. Das Gerät ist für folgende Betriebssituationen geeignet:

- 28-30 mbar Regler mit Butangas @ Kategorie I3+.
- 37 mbar mbar Regler mit Propangas @ Kategorie I3+.
- 37 mbar Regler mit Butan, Propan oder deren Mischungen @ Kategorie I3B/P(37).
- 30 mbar oder 50 mbar Regler mit Butan, Propan oder deren Mischungen @ Kategorie I3B/P(30) bzw. Kategorie I3B/P(50).

VORSICHT: Verwenden Sie nur die auf dem Typenschild angegebene Gasart und Gaskategorie für Ihr Gerät.

- GASSCHLAUCH UND GASREGLER

Verwenden Sie nur Regler und Schläuche, die für LP-Gas mit den richtigen Drücken zugelassen sind. Der Druckregler sollte der Norm EN12864 und den aktuellen Vorschriften des Landes, in dem er installiert wird, entsprechen. Diese können Sie bei Ihrem nächstgelegenen Händler für Gasartikel erfragen. Beachten Sie die technischen Daten. Es ist strengstens verboten, einen einstellbaren Druckregler zu verwenden.

Es wird empfohlen, den Regler innerhalb von 10 Jahren nach dem Herstellungsdatum oder je nach Anforderung der nationalen Vorschriften auszutauschen.

Der Typ des austauschbaren Schlauchs sollte der Norm EN1763-1-Klasse 3 entsprechen. Der verwendete Schlauch muss der jeweiligen Norm des Einsatzlandes entsprechen. Die Länge des Schlauchs muss mindestens 0,7 Meter und höchstens 1,5 Meter betragen. Verschlossene oder beschädigte Schläuche sind zu ersetzen.

Stellen Sie sicher, dass der Schlauch nicht verstopft, geknickt oder mit einem anderen Teil des Gerätes als dem Anschluss in Kontakt ist. Es wird empfohlen, den Schlauch innerhalb von 1 Jahr nach dem Herstellungsdatum oder je nach Anforderung der nationalen Vorschriften auszutauschen. Achten Sie bei der Bedienung oder Installation darauf, dass der Anschlussschlauch nicht durch Verdrehen belastet wird.

VORSICHT: Das Gerät ist für die Verwendung mit Regler und Schlauchpaket vorgesehen. Wenn sie nicht vom Hersteller geliefert werden, muss der Benutzer einen zugelassenen Regler und Schlauch wählen, der der Norm und den örtlichen Vorschriften entspricht.

- LAGERUNG DES GERÄTES

Wenn das Gerät nicht in Betrieb ist, ist eine Lagerung in Innenräumen nur dann zulässig, wenn der Zylinder abgeklemmt und vom Gerät getrennt ist. Wenn das Gerät eine Zeit lang nicht benutzt wird, sollte es in der Originalverpackung an einem trockenen und staubfreien Ort gelagert werden.

- GASFLASCHE

Die Gasflasche darf nicht fallen gelassen oder grober Handhabung ausgesetzt werden! Wenn das Gerät nicht in Betrieb ist, muss die Gasflasche abgeklemmt werden. Diese Vorsichtsmaßnahme muss beim Wechsel der Gasflasche getroffen werden. Ein Wechsel muss von jeglichen Zündquellen entfernt durchgeführt werden.

Die Flaschen müssen im Freien in aufrechter Position und außerhalb der Reichweite von Kindern gelagert werden. Die Flaschen dürfen niemals dort gelagert werden, wo Temperaturen über 50°C erreicht werden können.

VORSICHT: Das Gerät ist für den Betrieb mit einer 5kg Gasflasche im Gerät geeignet.

- ANSCHLUSS AN DAS GERÄT




Vergewissern Sie sich vor dem Anschließen, dass sich keine Ablagerungen im Kopf der Gasflasche, des Reglers, des Brenners und der Brennerteile befinden. Wenn der Schlauch ersetzt wird, muss er an den Anschlüssen des Gerätes und des Reglers befestigt werden.

Nach dem Anschluss ist eine **GASLECKPRÜFUNG** zwingend erforderlich. Bitte gehen Sie wie folgt vor, um auf mögliche Gaslecks zu prüfen.

- Stellen Sie sicher, dass das Steuerventil auf „OFF“ steht.
- Schließen Sie die Flasche an den Regler, den Regler an den Schlauch und den Schlauch an das Gerät an, vergewissern Sie sich, dass die Anschlüsse gesichert sind, und schalten Sie das Gas ein.
- Streichen Sie Seifenlauge auf den Schlauch und alle Verbindungen. Wenn Blasen auftreten, bedeutet dies, dass ein Leck vorliegt. Sie müssen das Teil oder die Verbindung an dem/der Gas austritt erneut anschließen oder austauschen.
- Prüfen Sie nach Behebung des Fehlers erneut. Schalten Sie die Gaszufuhr an der Gasflasche nach der Prüfung ab.

VORSICHT: Wenn ein Leck festgestellt wird und nicht behoben werden kann, versuchen Sie das Leck nicht selbst zu beheben, sondern wenden Sie sich an Ihren Gashändler.


- ANZÜNDEN DES GERÄTES

1. Öffnen Sie den Deckel und vergewissern Sie sich, dass alle Drehknöpfe auf der Position OFF (●) stehen.
2. Drücken Sie den Knopf und drehen Sie ihn gegen den Uhrzeigersinn auf die Position HIGH (), dann halten Sie den Zünder für 2-3 Sekunden gedrückt (ein Geräusch ist zu hören), damit der Brenner gezündet werden kann. Wenn der Brenner nicht zündet, schalten Sie den Drehknopf aus und warten Sie 5 Minuten, dann wiederholen Sie diesen Vorgang.
3. Stellen Sie die Wärme ein, indem Sie den Drehknopf auf die Position HIGH ()/LOW () drehen. Der hintere Brenner ist nur in der Position HIGH eingestellt.
4. Um weitere Brenner zu zünden, wiederholen Sie den gleichen Vorgang für den benachbarten Brenner und fahren Sie in dieser Reihenfolge fort, bis alle Brenner gezündet sind.
5. Um den Grill auszuschalten, drehen Sie das Gasflaschenventil oder den Reglerschalter auf die Position OFF und drehen Sie dann alle Bedienknöpfe am Grill im Uhrzeigersinn auf die Position OFF (●).


ANZÜNDEN MIT EINEM STREICHHOLZ

1. Folgen Sie den obigen Anweisungen Schritt 1-3.
2. Für den Hauptbrenner legen Sie das Streichholz in die Streichholzhalterkette und zünden das Streichholz an, dann stecken Sie das Streichholz in das Anzündloch auf der rechten Seite der Feuerbox;

*Für den Seitenbrenner legen Sie das angezündete Streichholz in die Löcher des Seitenbrennerkopfes.

3. Drücken Sie den Knopf und drehen Sie ihn gegen den Uhrzeigersinn auf die Position HIGH (), damit der Brenner gezündet werden kann. Wenn der Brenner nicht zündet, schließen Sie den Gasanschluss und warten Sie 5 Minuten, dann wiederholen Sie Schritt 2-3.

Der Seitenbrenner ist für Töpfe/Pfannen mit einem Durchmesser von 180-260mm vorgesehen. Der Seitenbrennerdeckel kann nicht als Arbeitstisch verwendet werden, stellen Sie nichts auf den Seitenbrennerdeckel, wenn er nicht in Betrieb ist.

Zünden Sie vor dem ersten Kochen alle Hauptbrenner an und lassen Sie sie 15 Minuten lang bei geschlossenem Deckel und den Drehknöpfen in der Position HIGH () brennen. Dadurch werden die Innenteile „hitze gereinigt“ und der Geruch der lackierten Oberflächen kann entweichen. Die Farbe des Kochbereichs darf sich nur wenig verändern. Das ist normal und liegt in der Natur des Materials.

- REINIGUNG UND PFLEGE

Alle Reinigungs- und Wartungsarbeiten sollten bei abgekühltem Gerät und bei ausgeschalteter Brennstoffzufuhr an der Gasflasche nach dem Gebrauch durchgeführt werden.

Verwechseln Sie braune oder schwarze Ansammlungen von Fett und Rauch NICHT mit Farbe. Innenbereiche von Gasgrills sind werksseitig nicht lackiert (und sollten NIEMALS lackiert werden). Tragen Sie eine konzentrierte Lösung aus Spülmittel und Wasser auf oder verwenden Sie einen Grillreiniger und eine Scheuerbürste um die Innenseiten des Grilldeckels und den Boden zu reinigen. Spülen Sie die Flächen nach und lassen Sie sie vollständig an der Luft trocknen. **Verwenden Sie KEINE** ätzenden Grill-/Ofenreiniger auf lackierten Oberflächen. **Verwenden Sie KEINE** Scheuermittel oder brennbaren Reiniger, da dies die Teile des Produkts beschädigt und einen Brand auslösen können.

Edelstahlflächen: Edelstahl kann auch Rost ansetzen, wenn er nicht gut gepflegt wird. Um das hochwertige Aussehen Ihres Grills zu erhalten, reinigen Sie ihn nach jedem Gebrauch mit einem milden Reinigungsmittel und warmer

Seifenlauge und wischen Sie ihn mit einem weichen, nicht scheuernden Tuch trocken. Verwenden Sie ein Edelstahlschutzmittel wie WD-40 auf der Oberfläche, um Rost zu vermeiden.

Grillrost: Verwenden Sie eine milde Seifenlauge. Nicht aggressives Scheuerpulver kann bei hartnäckigen Verschmutzungen eingesetzt werden, anschließend mit Wasser abspülen

REINIGUNG DER BRENNEREINHEIT

Befolgen Sie diese Anweisungen zur Reinigung:

1. Drehen Sie das Gas an den Bedienknöpfen und an der Gasflasche ab.
2. Entfernen Sie Grillroste, Fettauffangschale und Fetttopf.
3. Lösen Sie die Schraube am Ende des Brenners mit einem Schraubendreher.
4. Heben Sie jeden Brenner vorsichtig auf und von den Ventilöffnungen weg.
5. Bürsten Sie die gesamte Außenfläche des Brenners mit einer Drahtbürste ab, um Speiserückstände und Schmutz zu entfernen.
6. Reinigen Sie verstopfte Anschlüsse mit einem steifen Draht, z. B. einer offenen Büroklammer.
7. Prüfen Sie den Brenner auf Beschädigungen. Aufgrund von normalem Verschleiß und Korrosion können sich einige Löcher vergrößert haben. Wenn große Risse oder Löcher vorhanden sind, tauschen Sie den Brenner aus.
8. Setzen Sie die Brenner vorsichtig wieder ein.
9. Setzen Sie die Schraube am Ende des Brenners wieder ein.
10. Entfernen Sie die Fettauffangschale und die Grillroste wieder ein.

Prüfen Sie den Brenner auf Beschädigungen (Risse oder Löcher). Wenn Sie Beschädigungen feststellen, tauschen Sie den Brenner aus. Bauen Sie den Brenner wieder ein und stellen Sie sicher, dass die Gasventilöffnungen im Brennereinfluss richtig positioniert und gesichert sind.

Wir empfehlen die folgenden drei Möglichkeiten zur Reinigung der Brennerrohre vor. Entscheiden Sie sich für diejenige, die für Sie am Einfachsten ist.

- (A) Biegen Sie einen steifen Draht (ein leichter Kleiderbügel eignet sich gut) zu einem kleinen Haken. Führen Sie den Haken mehrmals durch jedes Brennerrohr und jeden Brenner.
- (B) Verwenden Sie eine schmale Flaschenbürste mit flexiblem Griff (KEINE Messingdrahtbürste verwenden) und führen Sie sie mehrmals durch jedes Rohr und jeden Brenner.
- (C) Tragen Sie einen Augenschutz: Blasen Sie über einen Luftschauch Luft in das Brennerrohr bis diese aus den Luftanschlüssen wieder austritt. Prüfen Sie jeden Anschluss, um sicherzustellen, dass aus jedem Loch Luft austritt.



⚠ CAUTION

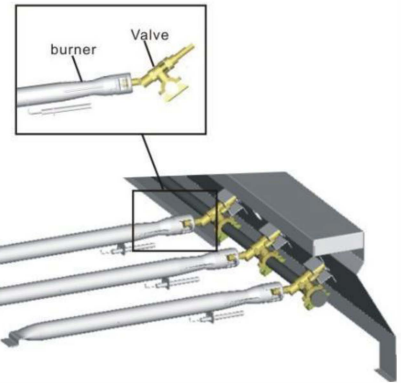
VORSICHT: NATÜRLICHE GEFAHR - SPINNEN

FAKT: Manchmal klettern Spinnen und andere Insekten in die an den Brennern angebrachten Grillrohre. Spinnen spinnen Netze, bauen Nester und legen Eier. Die Spinweben oder Nester können sehr klein sein, sind aber gleichzeitig sehr fest und können die Gasströmung blockieren.

Reinigen Sie die Brenner vor dem Gebrauch, besonders nach der Lagerung, zu Beginn der Grillsaison oder nach einem Monat Nichtgebrauch.



Spinnenschutzvorrichtungen sind bereits an den Lufteinlässen vorhanden. Diese mindern die Problematik, können sie jedoch nicht ganz verhindern! Eine Verstopfung kann zu einem „Flammenrückstoß“ (einem Brand in den Brennerrohren) führen. Dabei lässt sich der Grill möglicherweise anzünden, aber die Verstopfung macht eine ungehinderte Gasströmung zu den Brennern unmöglich.



FEHLERBEHEBUNG

Problem	Mögliche Ursache	Vorkehrungsmaßnahme/Lösung
Der/die Brenner zünden nicht.	<ul style="list-style-type: none"> •Keine Gasströmung. •Überwurfmutter und Regler nicht vollständig verbunden. •Verstopfung der Gasströmung. •Lösen des Brenneranschlusses zum Ventil. •Ist der Grill korrekt montiert? 	<ul style="list-style-type: none"> • Prüfen Sie, ob die Gasflasche leer ist. • Drehen Sie die Überwurfmutter etwa eine halbe bis dreiviertel Umdrehung weiter bis zum festen Anschlag. Ziehen Sie nur von Hand an - verwenden Sie keine Werkzeuge. • Reinigen Sie das/die Brennerrohr(e). • Schließen Sie Brenner und Ventil wieder ein. • Überprüfen Sie die Schritte in der Montageanleitung.
Plötzlicher Abfall der Gasströmung oder niedrige Flamme.	<ul style="list-style-type: none"> •Kein Gas mehr. •Das Überströmventil wurde ausgelöst. 	<ul style="list-style-type: none"> • Prüfen Sie, ob sich noch Gas in der Gasflasche befindet. • Drehen Sie die Knöpfe zu, warten Sie 30 Sekunden und zünden Sie den Grill wieder an. Wenn die Flammen immer noch niedrig sind, drehen Sie die Drehknöpfe und das Gasflaschenventil ab. Lösen Sie den Gasregler. Regler wieder anschließen und Dichtigkeitsprüfung durchführen. Drehen Sie das Gasflaschenventil auf, warten Sie 30 Sekunden und zünden Sie dann den Grill an.
Flammen blasen aus.	<ul style="list-style-type: none"> •Hoher oder böiger Wind. •Die Gasmenge in der Flasche ist knapp. •Das Überströmventil wurde ausgelöst. 	<ul style="list-style-type: none"> • Drehen Sie die Vorderseite des Grills in den Wind oder erhöhen Sie die Flammen. • Füllen Sie die Gasflasche auf. • Beachten Sie auch „Plötzlicher Abfall der Gasströmung“ weiter oben.
Aufflackern.	<ul style="list-style-type: none"> •Gasstau. •Hoher Fettgehalt im Fleisch. •Überhöhte Gartemperatur. 	<ul style="list-style-type: none"> • Reinigen Sie den Grill. • Entfernen Sie vor dem Grillen das Fett vom Fleisch. • Temperatur entsprechend anpassen (absenken).
Anhaltender Fettbrand.	<ul style="list-style-type: none"> •Fett, das sich durch Lebensmittelablagerungen um das Brennersystem herum angesammelt hat. 	<ul style="list-style-type: none"> • Drehen Sie den Knöpfe auf die Position OFF. Drehen Sie das Gas an der Gasflasche ab. Belassen Sie den Deckel in Position und lassen Sie das Feuer ausbrennen. • Nachdem der Grill abgekühlt ist, entfernen und reinigen Sie alle Teile.
Flammenrück-schlag... (Feuer in Brennerrohr(en)).	<ul style="list-style-type: none"> • Brenner und/oder Brennerrohre sind verstopft. 	<ul style="list-style-type: none"> • Drehen Sie den Knöpfe auf die Position OFF. Reinigen Sie den Brenner bzw. die Brennerrohre.

TECHNISCHE INFORMATIONEN

Bezeichnung des Gerätes	GASGRILL FÜR DIE NUTZUNG DRAUSSEN		CE 2531DM-0020	
Modell Nr.	HH200-F/SUNC-SLG2B-7960SS/ SUNC-SLG2B-7972BLACK		HH200-F/SUNC-SLG2B-7981SS-GER/ SUNC-SLG2B-7984BLACK-GER	
Geräteklasse	I3+(28-30/37)		I3B/P(30)	I3B/P(50)
Gasart	Butan	Propan	Butan, Propan oder deren Mischung	Butan, Propan oder deren Mischung
Gasdruck	20-30 mbar	37 mbar	30 mbar	50 mbar
Wärmezufuhr	3.5 kW		3.5 kW	3.5 kW
Wärmezufuhr gesamt (Qn)	7 kW		7 kW	7 kW
	(509 g/h)		(509 g/h)	(509 g/h)
Injektor	0.93 mm		0.93 mm	0.82 mm
Bestimmungsländer	BE, FR, IT, LU, IE, GB, GR, PT, ES, CY, CZ, LT, SK, CH, SI, LV		LU, NL, DK, FI, SE, CY, CZ, EE, LT, MT, SK, SI, BG, IS, NO, TR, HR, RO, IT, HU, LV	AT, DE, SK, CH, LU

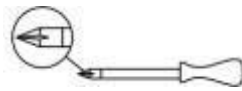
Bezeichnung des Gerätes	GASGRILL FÜR DIE NUTZUNG DRAUSSEN		CE 2531DM-0020	
Modell Nr.	HH500-F/SUNC-SLG5B-7961SS/ SUNC-SLG5B-7973BLACK		HH500-F/SUNC-SLG5B-7982SS-GER/ SUNC-SLG5B-7985BLACK-GER	
Geräteklasse	I3+(28-30/37)		I3B/P(30)	I3B/P(50)
Gasart	Butan	Propan	Butan, Propan oder deren Mischung	Butan, Propan oder deren Mischung
Gasdruck	20-30 mbar	37 mbar	30 mbar	50 mbar
Wärmezufuhr	3.5 kW		3.5 kW	3.5 kW
Wärmezufuhr gesamt (Qn)	17.5 kW		17.5 kW	17.5 kW
	(1273 g/h)		(1273 g/h)	(1273 g/h)
Injektor	0.93 mm		0.93 mm	0.82 mm
Bestimmungsländer	BE, FR, IT, LU, IE, GB, GR, PT, ES, CY, CZ, LT, SK, CH, SI, LV		LU, NL, DK, FI, SE, CY, CZ, EE, LT, MT, SK, SI, BG, IS, NO, TR, HR, RO, IT, HU, LV	AT, DE, SK, CH, LU

***0,93 mm gibt an, dass der Durchmesser des Injektors 0,93 mm beträgt.**

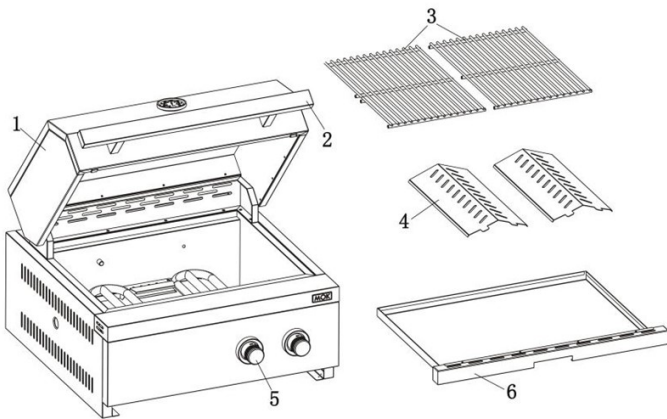
MONTAGEANLEITUNG

Benötigte Werkzeuge:

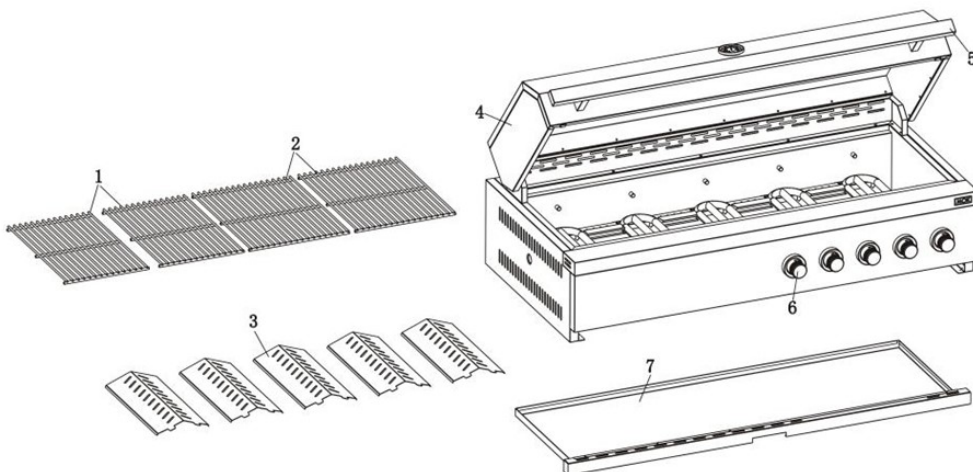
1. Schraubendreher
2. Handschuhe (falls erforderlich)



EXPLOSIONSZEICHNUNG

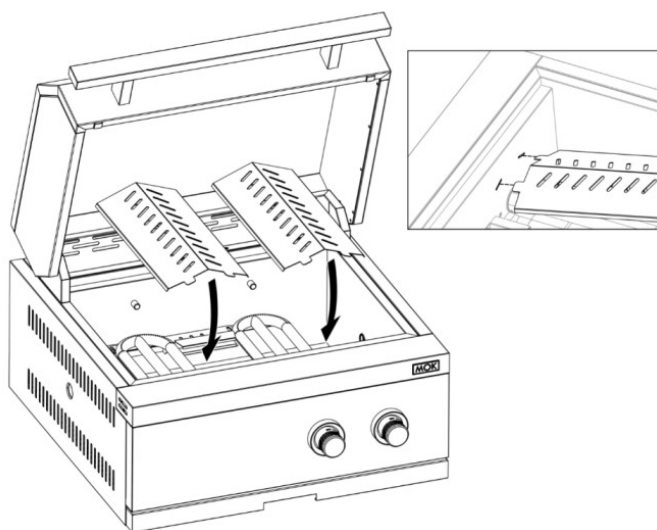


#	Bezeichnung	#	Bezeichnung
1	Grillhaube	4	Flammenverteiler
2	Griff der Haube	5	Bedienknopf
3	Grillrost	6	Fettauffangschale

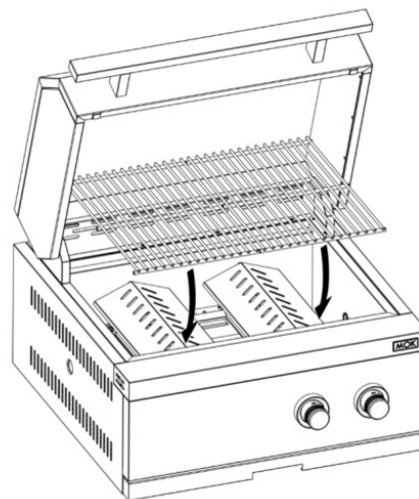


#	Bezeichnung	#	Bezeichnung
1	Grillrost-A	5	Griff der Haube
2	Grillrost-B	6	Bedienknopf
3	Flammenverteiler	7	Fettauffangschale
4	Grillhaube		

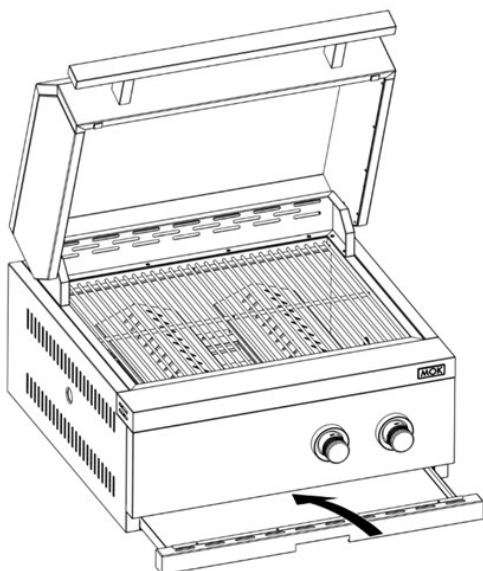
1. MONTAGE DES FLAMMENVERTEILERS



2. MONTAGE DES GRILLROSTES



3. FETTAUFFANGSCHALE



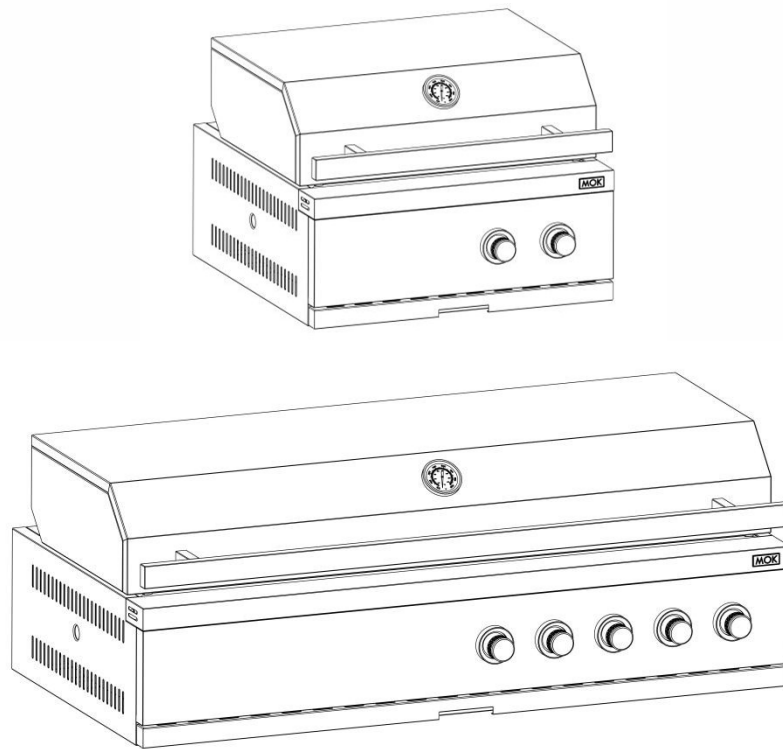
Lindström & Sondén AB
Havsbadsvagen 1,262 63 Ängelholm, Schweden

Kundenservice:

DE - info@meineoutdoorkueche.de
AT - info@meineoutdoorkueche.at
CH - info@meineoutdoorkueche.ch



Gebruiksaanwijzing en montagehandleiding



GASGRILL VOOR BUITENGEBRUIK

Modellen:

HH200-F, SUNC-SLG2B-7960SS, SUNC-SLG2B-7981SS-GER,
SUNC-SLG2B-7972BLACK, SUNC-SLG2B-7984BLACK-GER

HH500-F, SUNC-SLG5B-7961SS, SUNC-SLG5B-7982SS-GER,
SUNC-SLG5B-7973BLACK, SUNC-SLG5B-7985BLACK-GER

- UITSLUITEND VOOR GEBRUIK BUITENSHUIS.
- LEES DE HANDLEIDING VOORDAT U HET APPARAAT GEBRUIKT.
- WAARSCHUWING: TOEGANKELIJKE ONDERDELEN KUNNEN ZEER HEET ZIJN. HOUD KINDEREN OP VEILIGE AFSTAND.
- HOUD APPARAAT TIJDENS GEBRUIK BUITEN BEREIK VAN ONTVLAMBARE MATERIALEN.
- DRAAI NA GEBRUIK DE GASTOEVOER VAN DE GASFLES DICHT.

Lindström & Sondén AB
Havsbadsvägen 1, 262 63 Ängelholm, Zweden

WAT U MOET DOEN:

- Gebruik een steeksleutel om alle gaskranen aan te draaien.
- Controleer voor elk gebruik alle gasslangen en leidingaansluitingen op beschadigingen, sneden of scheuren.
- Altijd met zeepwater testen op lekkages.
- Controleer regelmatig alle branders op nestjes van insecten zoals spinnen, mieren, enz. Nestjes moeten compleet worden verwijderd.
- Laat de gasfles vullen door een erkend gasvulstation.
- Draag altijd hittebestendige handschoenen bij het aanraken van hete onderdelen.
- Reinig en onderhoud het apparaat na elk gebruik.
- GEBRUIK de grill op ten minste 1 m afstand van muren of oppervlakken, ontvlambaar materiaal, benzine, brandbare vloeistoffen of dampen.
- Het "afbranden" van de barbecue na elk gebruik (gedurende ca. 15 minuten) zorgt ervoor dat overtollige etensresten tot een minimum beperkt blijven.

WAT U NIET MOET DOEN:

- Over het apparaat heen hangen bij het aansteken.
- Ontvlambaar materiaal, benzine of brandbare vloeistoffen of dampen opslaan in de buurt van het apparaat.
- Het apparaat gebruiken met een hoes erover.
- Plastic of glazen kookgerei gebruiken bij het apparaat.
- Het apparaat gebruiken tijdens harde wind.
- Regelventielen demonteren.
- Op gaslekken controleren met open vuur.
- Reservegasflessen opslaan in de opbergruimte.
- De gasfles neerleggen (altijd rechtop laten staan).
- Het apparaat binnenshuis gebruiken.
- De constructie van het apparaat aanpassen of de grootte van de branders, toevoeropeningen of andere onderdelen.
- Het apparaat verplaatsen tijdens gebruik.
- De ventilatieopeningen van het apparaat blokkeren.
- De gaslang of snoeren in contact laten komen met hete onderdelen van het apparaat.
- Houtskool of een andere vaste brandstof gebruiken bij dit apparaat.
- Gaskranen losmaken tijdens het gebruik van het apparaat.
- Een roestige of ingedeukte gasfles met een beschadigde gasklep gebruiken.
- De gasfles niet meer dan 80% vullen.

- GASCATEGORIE

Dit apparaat is alleen geschikt voor lage druk butaan, propaan of een mengsel van beide en voorzien van de juiste gasdrukregelaar via een flexibele slang. Het apparaat is afgesteld om te werken met:

- 28-30 mbar drukregelaar met butaangas @ categorie I3+.
- 37 mbar drukregelaar met propaangas @ categorie I3+.
- 37 mbar drukregelaar met butaan, propaan of een mengsel van beide @ categorie I3B/P(37).
- 30 mbar of 50 mbar drukregelaar met butaan, propaan of een mengsel van beide @ categorie I3B/P(30) of type I3B/P (50).

LET OP: Alleen het gastype en gascategorie uit de tabel mogen gebruikt worden voor uw apparaat.

- GASLANG EN GASDRUKREGELAAR

Gebruik alleen de drukregelaar en slang die zijn goedgekeurd voor LP gas onder de juiste druk. De drukregelaar moet voldoen aan de En12864-norm en de geldende voorschriften in het land waar hij wordt geïnstalleerd die te vinden zijn bij uw dichtstbijzijnde verkoper van gasartikelen. Verwijs naar de technische datum.

Het is ten strengste verboden om regelbare druk te gebruiken. Het wordt aanbevolen om de drukregelaar binnen 10 jaar na de productiedatum te vervangen of wanneer de regels van het land dit eisen.

Het type vervangbare slang moet voldoen aan de EN1763-1-Klasse 3-norm. De gebruikte slang moet voldoen aan de geldende normen van het land van gebruik. De lengte van de slang moet minimaal 0,7 meter en maximaal 1,5 meter zijn. Een versleten of beschadigde slang moet vervangen worden.

Zorg ervoor dat de slang niet geblokkeerd is, geknikt is of in contact komt met andere delen van het apparaat dan de aansluiting. Het wordt aanbevolen om de slang binnen 1 jaar na de productiedatum te vervangen of wanneer de regels van het land van gebruik dit eisen. Zorg er tijdens het onderhoud of de installatie voor dat de flexibele verbindingbuis niet kan draaien.

LET OP: Het apparaat moet gebruikt worden met een drukregelaar en slang. Als ze niet zijn meegeleverd door de fabrikant dient de gebruiker een erkende drukregelaar en slang te kiezen die voldoen aan de standaardvoorschriften en de lokale voorschriften.

- OPSLAG VAN HET APPARAAT

Als het apparaat niet wordt gebruikt dan is opslag binnen alleen toegestaan als de gasfles is losgekoppeld en bij het apparaat is verwijderd. Als het apparaat langere tijd niet wordt gebruikt, dan moet het opgeslagen worden in de originele verpakking en gestald worden in een droge en stofvrije ruimte.

- GASFLES

De gasfles mag niet vallen of hardhandig worden gehanteerd! Als het apparaat niet in gebruik is, moet de gasfles worden losgekoppeld. Deze voorzorgsmaatregel moet worden genomen bij het vervangen van de gasfles, buiten het bereik van ontstekingsbronnen.

Gasflessen moeten buiten worden bewaard, rechtop en buiten het bereik van kinderen. De gasfles moet nooit ergens opgeslagen worden waar het warmer dan 50°C kan worden. Sla de gasfles niet op in de buurt van vlammen, waakvlammen of andere ontstekingsbronnen.

LET OP: Het apparaat is geschikt voor het gebruik met 5 kg gasflessen.

- AANSLUITEN OP HET APPARAAT

Zorg ervoor dat er geen vuil zit in de aansluiting van de gasfles, drukregelaar, brander en branderonderdelen voor het aansluiten. Als de slang is vervangen, moet het vastgemaakt worden aan het apparaat en drukregelaaraansluitingen.

Na het aansluiten is **OP GASLEKKEN CONTROLEREN** noodzakelijk. Volg de volgende procedure om te controleren op gaslekken.

- Zorg ervoor dat de regelklep dicht (OFF) is.
- Sluit de gasfles aan op de drukregelaar, de drukregelaar op de slang en de slang op het apparaat, zorg ervoor dat de aansluitingen goed vastzitten en draai dan het gas open (ON).
- Maak de slang en alle verbindingen nat met zeepwater. Als er zeepbellen verschijnen, is er sprake van lekkage. U moet het onderdeel of de verbinding met het gaslek opnieuw aansluiten of vervangen.
- Test opnieuw nadat het probleem is verholpen. Draai het gas dicht (OFF) op de gasfles na het testen.

LET OP: Als er een lekkage wordt ontdekt die niet verholpen kan worden, probeer dan niet om de lekkage te repareren maar neem contact op met uw gasleverancier.

- HET APPARAAT AANSTEKEN

1. Open de deksel en zorg ervoor dat alle regelknoppen op OFF (●) staan.
2. Druk de regelknop in en draai de regelknop naar links naar HIGH (), houd de ontstekingsknop dan 2-3 seconden ingedrukt (u kunt een geluid horen), zodat de brander aangestoken kan worden. Als de brander niet aangaat, draai de regelknop dan dicht en wacht 5 minuten voordat u het nogmaals probeert.
3. U kunt de hitte regelen door de regelknop naar HIGH ()/LOW, () te draaien. De achterste brander is alleen ingesteld op HIGH.
4. Om de andere branders aan te steken, herhaalt u dezelfde procedure voor de volgende brander en gaat u in deze volgorde door totdat alle branders zijn aangestoken.
5. Om de barbecue uit te zetten (OFF), draait u de gasklep of de schakelaar van de drukregelaar naar "OFF" en draai daarna alle regelknoppen van de barbecue naar rechts naar "OFF" (●).


AANSTEKEN MET EEN LUCIFER

1. Volg stappen 1-3 van bovenstaande instructie.
2. Voor de hoofdbrander plaatst u de lucifer in de luciferhouder en steekt u de lucifer aan, steek de lucifer daarna in het aansteekgat aan de rechterkant van de stookplaats;

*Voor de zijbrander plaatst u de brandende lucifer in de gaten van de pit van de zijbrander.

3. Druk de regelknop in en draai naar links naar "HIGH" (), daarna kan de brander aangestoken worden. Als de brander niet aangaat, draait u het gas dicht en wacht 5 minuten voordat u stappen 2-3 nogmaals probeert.

De zijbrander is geschikt voor pannen met een diameter van 180-260 mm. De deksel van de zijbrander kan niet als tafel gebruikt worden, plaats niets op de deksel van de zijbrander als die niet aan is.

Steek voor het eerste gebruik alle hoofdbranders aan en laat ze 15 minuten branden met de deksel dicht en de regelknop op HIGH (). Dit zorgt voor "hitte reiniging" van de interne onderdelen en verdrijft de geur van de geverfde coating. Het kookgedeelte kan iets verkleuren. Dit is normaal en hoort bij de werking van het materiaal.

- REINIGING EN ONDERHOUD

Alle reinigings- en onderhoudswerkzaamheden moeten gedaan worden als het apparaat is afgekoeld en met de gastoevoer op OFF bij de gasfles na gebruik.

LET OP verwar bruine of zwarte ophoping van vet en rook niet met verf. De binnenkant van gas grills worden nooit in de fabriek geverfd (en mogen ook NOOIT worden geverfd). Breng een sterke oplossing van afwasmiddel en water aan of gebruik een grillreiniger met een afwasborstel op de binnenkant van de grilldeksel en grillbodem. Spoel af en laat het helemaal opdrogen.

GEEN bijtend reinigingsmiddel voor grill of oven aanbrengen op geverfde oppervlakken.

GEEN schurende of ontvlambare reinigingsmiddelen gebruiken, aangezien deze de onderdelen van het product kunnen beschadigen en brand kunnen veroorzaken.

Roestvrijstalen oppervlakken: Roestvrij staal gaat roesten indien niet goed onderhouden. Om uw grill zo mooi mogelijk te houden, dient u de grill na elk gebruik af te wassen met een mild afwasmiddel en warm zeepwater en droog te wrijven met een zachte, niet-schurende doek. Gebruik beschermende middelen voor roestvrij staal zoals WD-40 op het oppervlak om roest te voorkomen.

Grillrooster: Gebruik een milde zeepwateroplossing. Niet-schurend schuurmiddel kan worden gebruikt op hardnekkige vlekken, daarna afspoelen met water.

REINIGING VAN DE BRANDERS

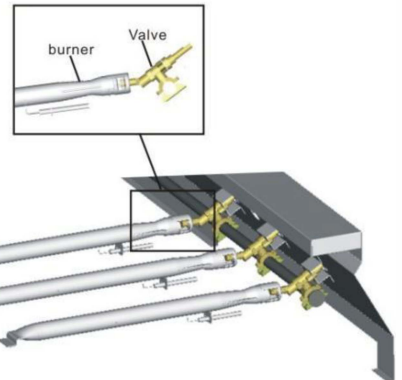
Volg deze instructies om te reinigen:

1. Draai het gas dicht met de regelknoppen en de LP-gasfles.
2. Verwijder de grillroosters, vetlade en vetopvangbak.
3. Verwijder de schroef aan het einde van de brander met een schroevendraaier.
4. Til elke brander voorzichtig op en weg van de klepopeningen.
5. Maak met een staalborstel de buitenkant van de brander schoon om etensresten en vuil te verwijderen.
6. Maak geblokkeerde openingen schoon met een harde draad, zoals een opgevouwen paperclip.
7. Controleer de brander op beschadigingen, door normale slijtage en corrosie kunnen sommige gaten groter worden. Vervang de brander als er grote barsten of gaten zitten.
8. Plaats de branders voorzichtig terug.
9. Plaats de schroef aan het einde van de brander terug.
10. Plaats de vetlade en grillroosters terug.

Controleer de brander op beschadigingen (barsten of gaten). Vervang de brander bij beschadigingen. Monteer de brander opnieuw en controleer of de openingen van de gasklep correct in de branderopening zijn geplaatst en vastgezet.

Wij raden drie manieren aan om de branderbuizen te reinigen. Kies de manier die het makkelijkst is voor u.

- (A) Buig een harde draad (een dunne klerhanger werkt goed) tot een kleine haak. Haal het haakje een paar keer door elke branderbuis en brander.
- (B) Gebruik een smalle flessenborstel met een flexibele steel (gebruik GEEN messing draadborstel), haal de borstel een paar keer door elke branderbuis en brander.
- (C) Draag oogbescherming: gebruik een luchtslang om lucht in de branderbuis en uit de ventilatieopeningen te blazen. Controleer elke opening om er zeker van te zijn dat er uit elk gat lucht komt.



CAUTION

LET OP: NATUURLIJK GEVAAR DOOR SPINNEN

FEIT: soms gaan spinnen en andere insecten in de grillbuizen zitten die vastzitten aan de branders. De spinnen maken webben, bouwen nesten en leggen eitjes. De webben of nesten kunnen erg klein zijn, maar ze zijn erg sterk en kunnen de gastoevoer blokkeren.

Reinig de branders voor gebruik na opslag, aan het begin van het barbecueseizoen of na een maand niet gebruikt te zijn.



Er zit bescherming tegen spinnen op de ventilatieopeningen om het probleem te verminderen, maar ze lossen het niet op! Een blokkade kan een "flashback" veroorzaken (een brand in de branderbuizen). De grill kan nog wel aan gaan, maar door de blokkade is er geen volledige gastoevoer naar de branders.

PROBLEMEN OPLOSSEN

Probleem	Mogelijke oorzaak	Voorkomen/oplossen
Brander(s) gaan niet aan.	<ul style="list-style-type: none"> • Geen gastoevoer. • Koppelingsmoer en drukregelaar zijn niet volledig aangesloten. • Blokkade van gastoevoer. • Ontkoppelen van de brander aan de klep. • Is de grill correct gemonteerd? 	<ul style="list-style-type: none"> • Controleer of de LP-gasfles leeg is. • Draai de koppelingsmoer ongeveer een halve tot driekwart slag extra aan tot aanslag. Draai alleen met de hand vast -gebruik geen gereedschap. • Reinig branderbuis(buizen). • Monteer de brander en klep weer aan elkaar. • Controleer de stappen in de montagehandleiding.
Plotselinge daling van de gastoevoer of lage vlam.	<ul style="list-style-type: none"> • Geen gas meer. • De doorstroomklep is gesloten. 	<ul style="list-style-type: none"> • Controleer of er gas in de LP-gasfles zit. • Draai de regelknoppen dicht, wacht 30 seconden en steek de grill aan. Als de vlammen nog steeds laag zijn, draait u de regelknoppen en de LP-gasflesklep dicht. Koppel de drukregelaar los. Sluit de drukregelaar weer aan en controleer op lekkages. Draai de LP-gasfleskraan open, wacht 30 seconden en steek de grill aan.
De vlammen waaien uit.	<ul style="list-style-type: none"> • Harde wind of windvlagen. • Te weinig LPG. • De doorstroomklep is gesloten. 	<ul style="list-style-type: none"> • Draai de voorkant van de grill naar de wind of verhoog de vlam. • LP-gasfles vullen. • Zie "Plotselinge daling van gastoevoer" hierboven.
Oplaaien.	<ul style="list-style-type: none"> • Ophoping van vet. • Te veel vet in het vlees. • Te hoge baktemperatuur. 	<ul style="list-style-type: none"> • Reinig de grill. • Verwijder het vet van het vlees voor het grillen. • Pas (verlaag) de temperatuur aan.
Aanhoudende vetbrand.	<ul style="list-style-type: none"> • Vet blijft vastzitten door voedselophoping rond brandersysteem. 	<ul style="list-style-type: none"> • Draai de regelknoppen dicht (OFF). Draai het gas dicht van de LP-gasfles. Laat de deksel op zijn plek en laat het vuur uitbranden. • Nadat de grill is afgekoeld, verwijder en reinig alle onderdelen.
Vlamterugslag (vuur in de brander)	<ul style="list-style-type: none"> • Brander en/of branderbuizen zijn geblokkeerd. 	<ul style="list-style-type: none"> • Draai de regelknoppen dicht (OFF). Reinig brander en/of branderbuizen.

TECHNISCHE INFORMATIE

Naam apparaat	GASGRILL VOOR BUITENGEBRUIK		CE 2531DM-0020	
Modelnummer	HH200-F/SUNC-SLG2B-7960SS/ SUNC-SLG2B-7972BLACK			HH200-F/SUNC-SLG2B-7981SS-GER/ SUNC-SLG2B-7984BLACK-GER
Categorie apparaat	I3+(28-30/37)		I3B/P(30)	I3B/P(50)
Gastype	Butaan	Propana	Butaan, propaan of een mengsel van beide	Butaan, propaan of een mengsel van beide
Gasdruk	20-30 mbar	37 mbar	30 mbar	50 mbar
Warmtetoever	3.5 kW		3.5 kW	3.5 kW
Totale warmtetoever (Qn)	7 kW		7 kW	7 kW
	(509 g/h)		(509 g/h)	(509 g/h)
Injector	0.93 mm		0.93 mm	0.82 mm
Bestemmingslanden	BE, FR, IT, LU, IE, GB, GR, PT, ES, CY, CZ, LT, SK, CH, SI, LV		LU, NL, DK, FI, SE, CY, CZ, EE, LT, MT, SK, SI, BG, IS, NO, TR, HR, RO, IT, HU, LV	AT, DE, SK, CH, LU

Naam apparaat	GASGRILL VOOR BUITENGEBRUIK		CE 2531DM-0020	
Modelnummer	HH500-F/SUNC-SLG5B-7961SS/ SUNC-SLG5B-7973BLACK			HH500-F/SUNC-SLG5B-7982SS-GER/ SUNC-SLG5B-7985BLACK-GER
Categorie apparaat	I3+(28-30/37)		I3B/P(30)	I3B/P(50)
Gastype	Butaan	Propana	Butaan, propaan of een mengsel van beide	Butaan, propaan of een mengsel van beide
Gasdruk	20-30 mbar	37 mbar	30 mbar	50 mbar
Warmtetoever	3.5 kW		3.5 kW	3.5 kW
Totale warmtetoever (Qn)	17.5 kW		17.5 kW	17.5 kW
	(1273 g/h)		(1273 g/h)	(1273 g/h)
Injector	0.93 mm		0.93 mm	0.82 mm
Bestemmingslanden	BE, FR, IT, LU, IE, GB, GR, PT, ES, CY, CZ, LT, SK, CH, SI, LV		LU, NL, DK, FI, SE, CY, CZ, EE, LT, MT, SK, SI, BG, IS, NO, TR, HR, RO, IT, HU, LV	AT, DE, SK, CH, LU

***0,93 mm geeft aan dat de diameter van de injector 0,93 mm is.**

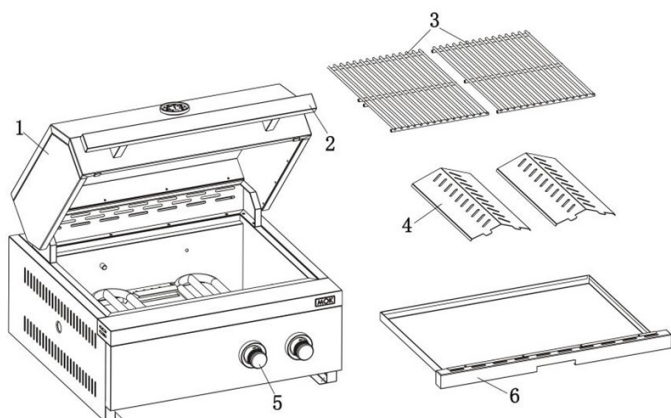
MONTAGEHANDLEIDING

Benodigd gereedschap:

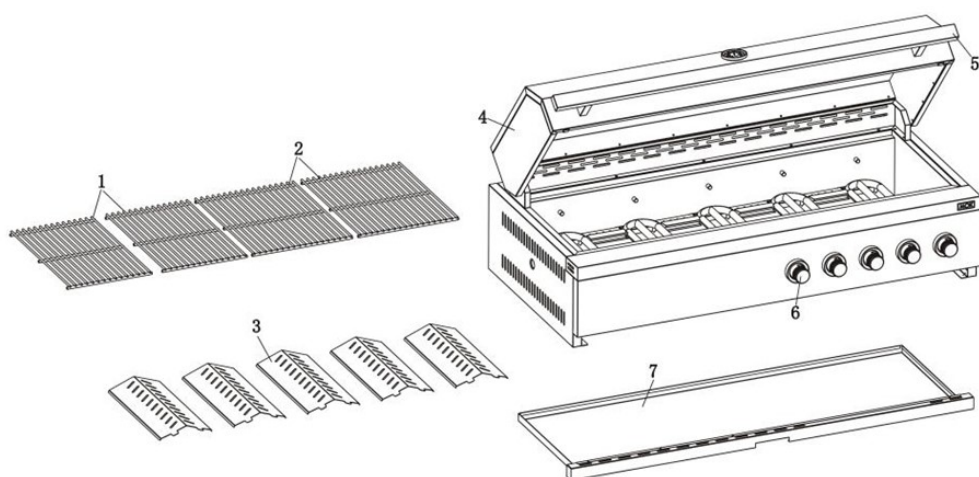
1. Schroevendraaier
2. Handschoenen (indien nodig)



UITGEBREID OVERZICHT

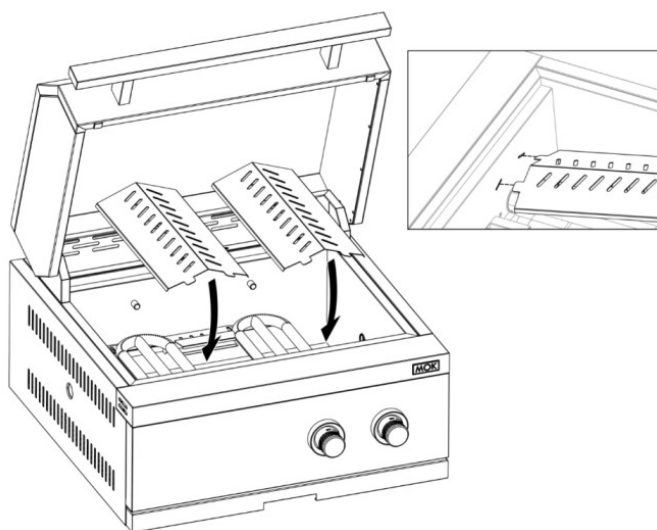


#	Benaming	#	Benaming
1	Deksel	4	Vlammverspreider
2	Greep van grilldeksel	5	Bedieningsknop
3	Grillrooster	6	Vetlade

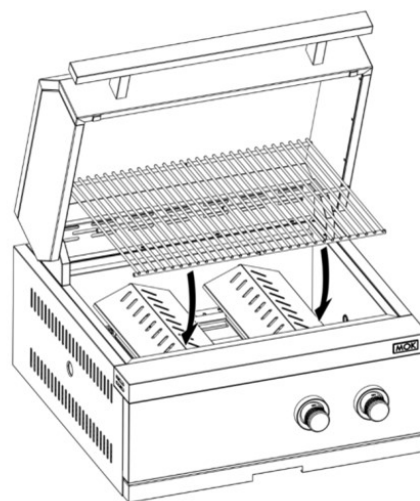


#	Benaming	#	Benaming
1	Grillrooster-A	5	Greep van grilldeksel
2	Grillrooster-B	6	Bedieningsknop
3	Vlammverspreider	7	Vetlade
4	Deksel		

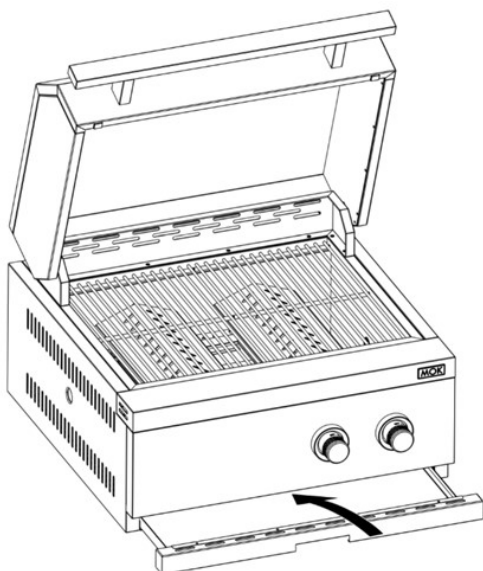
1. VLAMVERSPREIDER



2. MONTAGE GRILLROOSTER



3. VETLADE



Lindström & Sondén AB
Havsbadsvagen 1, 262 63 Ängelholm, Zweden

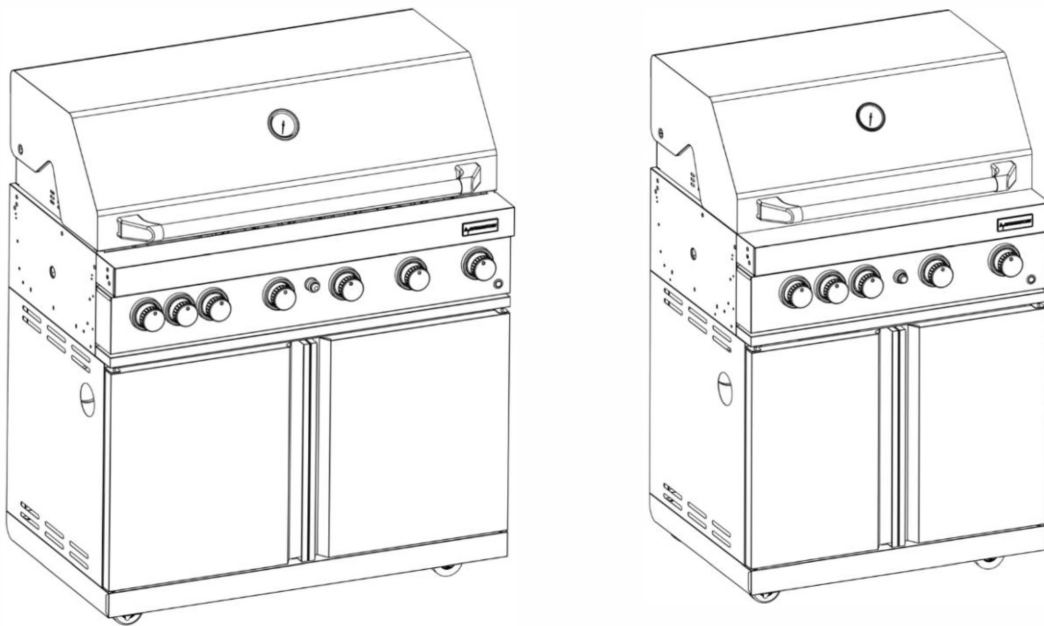
Klantendienst: info@mijnbuitenkeuken.nl



My **OUTDOORKITCHEN™**

FR

Manuel utilisateur et consignes d'installation



BARBECUE D'EXTÉRIEUR GAZ

Modèles :

HH200-F, SUNC-SLG2B-7960SS, SUNC-SLG2B-7981SS-GER,
SUNC-SLG2B-7972BLACK, SUNC-SLG2B-7984BLACK-GER

HH500-F, SUNC-SLG5B-7961SS, SUNC-SLG5B-7982SS-GER,
SUNC-SLG5B-7973BLACK, SUNC-SLG5B-7985BLACK-GER

- UTILISER EXCLUSIVEMENT À L'EXTÉRIEUR.
- LISEZ LES INSTRUCTIONS AVANT D'UTILISER L'APPAREIL.
- AVERTISSEMENT : LES PIÈCES ACCESSIBLES PEUVENT ÊTRE TRÈS CHAUDES. ÉLOIGNEZ LES ENFANTS.
- CET APPAREIL DOIT ÊTRE UTILISÉ À L'ÉCART DES MATÉRIAUX INFLAMMABLES.
- FERMEZ L'ALIMENTATION EN GAZ AU NIVEAU DE LA BOUTEILLE APRÈS UTILISATION.

Lindström & Sondén AB
Havsbadsvägen 1, 262 63 Ängelholm, Suède

À FAIRE :

- Utiliser une clé pour serrer tous les raccords de gaz.
- Vérifier avant chaque utilisation de l'appareil que les flexibles et tuyaux de gaz ne comportent pas de dommages, coupures ou fissures.
- Effectuer toujours un test de fuite à l'aide d'eau savonneuse.
- Contrôler régulièrement tous les brûleurs afin de vérifier l'absence de toiles d'araignées, de fourmis, etc. Les toiles doivent être soigneusement enlevées.
- Faire remplir les bouteilles de gaz par un fournisseur de gaz agréé.
- Porter toujours des gants de protection lors de la manipulation d'éléments chauds.
- Nettoyer et entretenir l'appareil après chaque utilisation.
- ÉLOIGNER le teppanyaki d'au moins 1 m de toute surface ou mur, de tout matériau combustible, essence, liquide ou vapeur inflammables.
- Laisser chauffer le barbecue pendant environ 15 minutes après chaque utilisation afin de réduire les résidus d'aliments au minimum.

À NE PAS FAIRE :

- Se pencher au-dessus de l'appareil lors de l'allumage.
- Stocker des matériaux combustibles, de l'essence ou des liquides ou vapeurs inflammables à proximité de l'appareil.
- Couvrir l'appareil lors de son utilisation.
- Utiliser des ustensiles en plastique ou en verre avec l'appareil.
- Utiliser l'appareil par vent fort.
- Démontez les soupapes.
- Tester les fuites de gaz à l'aide d'une flamme nue.
- Stocker les bouteilles de gaz en réserve dans le placard.
- Coucher la bouteille de gaz (la garder toujours verticale).
- Utiliser l'appareil à l'intérieur.
- Modifier la structure de l'appareil ou la taille des brûleurs, de l'orifice de l'injecteur ou de tout autre composant.
- Déplacer l'appareil en cours d'utilisation.
- Obstruer les orifices de ventilation de l'appareil.
- Permettre au flexible d'alimentation en gaz ou à un fil électrique d'entrer en contact avec une surface chaude de l'appareil.
- Utiliser du charbon ou tout autre combustible solide dans cet appareil.
- Débrancher les raccords de gaz lorsque l'appareil est en cours d'utilisation.
- Utiliser une bouteille de gaz rouillée ou cabossée avec une soupape endommagée.
- Remplir la bouteille de gaz à moins de 80 % de sa capacité.

- CATÉGORIE DE GAZ

Cet appareil ne doit être utilisé qu'avec du butane, du propane ou un mélange des deux à basse pression, et être utilisé avec le détendeur basse pression approprié, via un flexible. L'appareil est prévu pour fonctionner avec:

- Un détendeur 28-30 mbar avec du gaz butane de catégorie I3+.
- Un détendeur 37 mbar avec du gaz propane pour la catégorie I3+.
- Un détendeur 37 mbar avec du gaz butane, propane ou un mélange des deux pour la catégorie I3B/P(37).
- Un détendeur 30 mbar ou 50 mbar avec du gaz butane, propane ou un mélange des deux pour la catégorie I3B/P(30) ou I3B/P(50) respectivement.

ATTENTION: Seuls le type et la catégorie de gaz spécifiés sur l'étiquette peuvent être utilisés avec votre appareil.

- FLEXIBLE ET DÉTENDEUR DE GAZ

Utilisez le détendeur et le flexible approuvés pour le GPL aux pressions correctes. Le détendeur doit répondre à la norme EN 12864 ainsi qu'aux règlements en vigueur dans le pays où l'appareil est installé. Votre distributeur d'équipements de gaz le plus proche vous les communiquera. Reportez-vous aux spécifications techniques. Il est absolument interdit d'utiliser une pression réglable.

Il est conseillé de remplacer le détendeur tous les 10 ans à compter de sa date de fabrication ou dans le délai prescrit par les règlements nationaux.

Le type de flexible à remplacer doit être conforme à la norme EN1763-1-Classe 3. Le flexible utilisé doit être conforme à la norme en vigueur dans le pays d'utilisation. La longueur du flexible doit être de 0,7 m au minimum et de 1,5 mètre au maximum. Un flexible usé ou endommagé doit être remplacé.

Vérifiez que le flexible n'est pas obstrué, tortillé ou en contact avec une partie de l'appareil autre que son point de raccordement. Il est conseillé remplacer le flexible dans un délai d'1 an à compter de sa date de fabrication ou dans le délai prescrit par les règlements nationaux. Lors de la maintenance ou de l'installation, assurez-vous que le flexible n'est pas susceptible d'être plié.

ATTENTION: L'appareil est prévu pour être utilisé avec un détendeur et un ensemble flexible. Si ces éléments ne sont pas fournis par le fabricant, l'utilisateur doit choisir un détendeur et un flexible agréés conformes à la norme et aux règlements locaux.

- STOCKAGE DE L'APPAREIL

Lorsque l'appareil n'est pas utilisé, son stockage à l'intérieur n'est autorisé qu'avec la bouteille débranchée et sortie de l'appareil. Lorsque l'appareil n'est pas utilisé pendant une certaine période, il doit être stocké dans son emballage d'origine dans un endroit sec et sans poussière.

- BOUTEILLE DE GAZ

La bouteille de gaz ne doit pas être lâchée ou être manipulée avec des gestes brusques. Si l'appareil n'est pas utilisé, la bouteille doit être débranchée. Cette précaution doit être prise lors du remplacement de la bouteille de gaz qui doit se dérouler à l'écart de toute source d'inflammation.

Les bouteilles doivent être stockées à l'extérieur, à la verticale et hors de la portée des enfants. La bouteille ne doit jamais être stockée à des endroits où la température peut dépasser 50 °C. Ne pas stocker la bouteille près de flammes, de la flamme pilote ou autre source d'inflammation.

ATTENTION: L'appareil est destiné à être utilisé avec des bouteilles de gaz de 5 kg.

- BRANCHEMENT À L'APPAREIL




Avant de brancher, vérifiez qu'aucun débris n'est bloqué dans la tête de la bouteille de gaz, le détendeur, le brûleur et les différentes parties du brûleur. Lors du remplacement du flexible, celui-ci doit être fixé aux branchements à l'appareil et au détendeur.

Après tout branchement, le **CONTRÔLE DES FUITES DE GAZ** est obligatoire. Veuillez effectuer la procédure suivante pour contrôler les fuites de gaz.

- Vérifiez que la soupape de commande est fermée (OFF).
- Branchez la bouteille au détendeur, le détendeur au flexible et le flexible à l'appareil. Vérifiez que tous les branchements sont bien serrés et ouvrez le gaz (ON).
- Appliquez de l'eau savonneuse avec un pinceau sur le flexible et sur tous les raccords. Si des bulles apparaissent, cela signifie qu'il y a une fuite. Vous devez rebrancher ou remplacer la pièce ou le joint au niveau duquel la fuite apparaît.
- Testez à nouveau après la résolution du défaut. Fermez le gaz (OFF) sur la bouteille après le test.

ATTENTION: Si une fuite est détecté et qu'elle ne peut pas être résolue, n'essayez pas de le faire par vous-même et demandez à votre distributeur de gaz.


- ALLUMAGE DE L'APPAREIL

1. Ouvrez le couvercle et vérifiez que tous les boutons sont bien sur la position éteinte (●).
2. Poussez le bouton et tournez-le dans le sens antihoraire sur la position feu vif (), puis continuez à appuyer sur l'allume-gaz pendant 2 à 3 secondes (vous devez entendre un son) afin d'allumer le brûleur. Si le brûleur ne s'allume pas, fermez le gaz avec le bouton, attendez 5 minutes et recommencez.
3. Réglez la chaleur en tournant le bouton sur la position feu vif ()/feu doux () position. Le brûleur à l'arrière ne peut être réglé que sur la position FEU VIF (HIGH).
4. Pour allumer les autres brûleurs, répétez la procédure avec le brûleur voisin, et ainsi de suite jusqu'à ce que tous les brûleurs soient allumés.
5. Pour éteindre le barbecue, fermez la bouteille de gaz ou le détendeur, puis tournez tous les boutons du barbecue dans le sens horaire pour les mettre en position éteinte (●).


ALLUMAGE À L'AIDE D'ALLUMETTES

1. Reprenez les étapes 1 à 3 ci-dessus.
2. Pour le brûleur principal, placez l'allumette sur la chaîne porte-allumette et allumez-la ; amenez ensuite l'allumette enflammée au trou d'allumage sur la droite de la chambre de combustion ;

*Pour le brûleur latéral, placez l'allumette enflammée sur le côté de la tête du brûleur.

3. Poussez le bouton et tournez-le dans le sens antihoraire sur la position feu vif () ; le brûleur peut alors être allumé. Si le brûleur ne s'allume pas, fermez le robinet de gaz et attendez 5 minutes, puis répétez les points 2 et 3.

Le brûleur latéral est destiné aux casseroles/poêles d'un diamètre de 180 à 260 mm. Le couvercle du brûleur latéral ne peut être utilisé comme plan de travail ; ne posez rien sur le brûleur lorsqu'il n'est pas utilisé.

Avant la première utilisation, allumez tous les brûleurs et laissez-les allumés pendant 15 minutes, couvercle fermé et les boutons sur la position feu vif (). Cela permettra de nettoyer par la chaleur les parties internes et d'éliminer l'odeur du revêtement. La couleur de la zone de cuisson peut légèrement changer. C'est normal et c'est la nature du matériau.

- NETTOYAGE ET ENTRETIEN

Le nettoyage et l'entretien doivent être effectués lorsque l'appareil est froid, l'alimentation en gaz éteinte au niveau de la bouteille après utilisation.

NE CONFONDEZ PAS l'accumulation de graisse et de fumée brune ou noire avec la peinture. L'intérieur des barbecues à gaz n'est pas peint en usine (et ne doit JAMAIS être peint). Appliquez une solution concentrée de détergent et d'eau ou utilisez un nettoyant spécial barbecue pour brosser l'intérieur du couvercle et le bas de l'appareil. Rincez et laissez sécher à l'air libre.

N'APPLIQUEZ PAS de nettoyant caustique pour barbecue ou four sur les surfaces peintes.

N'UTILISEZ PAS de nettoyant abrasif ou inflammable car cela pourrait endommager certaines pièces et provoquer un départ de feu.

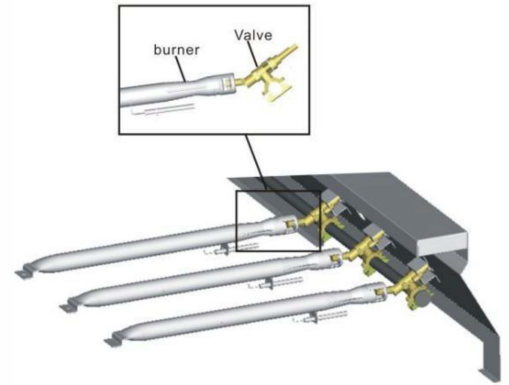
Surfaces en inox : L'inox rouille s'il n'est pas entretenu convenablement. Afin de conserver le bel aspect de votre barbecue, lavez-le avec de l'eau chaude additionnée d'un détergent doux et essuyez-le avec un chiffon doux non abrasif après chaque utilisation. Utilisez un liquide de protection de l'inox, tel que le WD-40 sur la surface afin d'éviter la rouille.

Grille de cuisson : Utilisez une solution d'eau et de détergent doux. Une poudre à récurer non abrasive peut être utilisée sur les taches tenaces ; rincez ensuite à l'eau.

NETTOYAGE DU BLOC BRÛLEURS

Nettoyez selon les instructions ci-dessous:

1. Fermez le gaz avec les boutons et sur la bouteille.
2. Enlevez les grilles de cuisson, le plateau et la coupelle de récupération des graisses.
3. Enlevez la vis à l'extrémité du brûleur à l'aide d'un tournevis.
4. Soulevez délicatement chaque brûleur des ouvertures de soupapes.
5. Brossez la totalité de la surface extérieure du brûleur à l'aide d'une brosse métallique afin d'éliminer les résidus d'aliments et la saleté.
6. Nettoyez tous les trous colmatés à l'aide d'un fil de fer rigide, comme un trombone déplié.
7. Contrôlez que les brûleurs ne présentent pas de dommages ; certains trous peuvent être agrandis du fait de l'usure normale ou de la corrosion. Si vous détectez des fissures importantes ou des trous, remplacez les brûleurs.
8. Remettez soigneusement en place les brûleurs.
9. Revissez la vis à l'extrémité du brûleur.
10. Remettez en place le plateau de récupération des graisses et la grille de cuisson.



Contrôlez que le brûleur ne présente pas de dommages (fissures ou trous). Si vous détectez des dommages, remplacez le brûleur par un neuf. Remettez le brûleur en place en contrôlant que les orifices de sortie du gaz sont bien en place dans l'admission du brûleur.

Nous conseillons trois manières de nettoyer les tubes de brûleurs. Utilisez celle qui sera la plus simple pour vous.

- (A) Courbez un fil de fer rigide (un cintre en fil de fer fonctionne très bien) pour en faire un petit crochet. Faites passer plusieurs fois le crochet dans chaque tube de brûleur.
- (B) Utilisez un petit écouvillon avec une poignée flexible (N'UTILISEZ PAS de brosse en laiton) et passez l'écouvillon plusieurs fois dans chaque tube de brûleur et le brûleur lui-même.
- (C) Portez une protection oculaire : utilisez une manche à air pour souffler de l'air dans le tube du brûleur et dans les trous de passage des l'air. Vérifiez de l'air sort par chaque trou.



⚠ CAUTION

ATTENTION: ARAIGNÉES

Des araignées et autres insectes peuvent grimper dans les tubes du barbecue reliés aux brûleurs. Les araignées tissent des toiles, construisent des nids et pondent des œufs. Les toiles et nids peuvent être très petits, mais ils sont très solides et peuvent bloquer la circulation du gaz.

Nettoyez les brûleurs avant de les utiliser lorsque l'appareil a été stocké, au début de la saison des barbecues ou après un mois sans utilisation.



Des barrières anti-araignées sont installées sur les admissions d'air. Elles permettent de réduire le problème, sans toutefois l'éliminer. Une obstruction peut entraîner un « retour de flamme » (feu dans les tubes des brûleurs). Le barbecue peut rester allumé, mais cette obstruction ne permet pas aux brûleurs de recevoir le débit de gaz total.

DÉPANNAGE

Problème	Cause possible	Prévention/Solution
Le ou les brûleurs ne s'allument pas	<ul style="list-style-type: none"> • Pas d'arrivée de gaz. • L'écrou de raccord et le détendeur ne sont pas correctement raccordés. • Obstruction du débit de gaz. • Désolidarisation entre le brûleur et la soupape. • Le barbecue est-il correctement monté ? 	<ul style="list-style-type: none"> • Vérifiez si la bouteille de gaz est vide. • Tournez l'écrou de raccord d'un demi à trois quarts de tour supplémentaire jusqu'à arriver à une butée. Serrez à la main uniquement, n'utilisez pas d'outils. • Nettoyez les tubes des brûleurs. • Remettez en place le brûleur et la soupape. • Respectez l'ordre des instructions de montage.
Chute soudaine du débit de gaz ou flammes faibles.	<ul style="list-style-type: none"> • Plus de gaz. • La soupape de limitation de débit a sauté 	<ul style="list-style-type: none"> • Contrôlez le gaz dans la bouteille. • Fermez les boutons, attendez 30 secondes et allumez le barbecue. Si les flammes sont toujours faibles, fermez les boutons et la soupape de la bouteille de gaz. Déconnectez le détendeur. Rebranchez le détendeur et effectuez un test de fuite. Fermez la bouteille de gaz, attendez 30 secondes et allumez le barbecue.
Les flammes sont désordonnées.	<ul style="list-style-type: none"> • Vent fort ou rafales. • Bouteille de gaz presque vide. • La soupape de limitation de débit a sauté 	<ul style="list-style-type: none"> • Tournez le barbecue face du vent ou augmentez la hauteur des flammes. • Remplissez la bouteille de gaz. • Voir « Baisse soudaine du débit de gaz » ci-dessus.
Embrassement.	<ul style="list-style-type: none"> • Accumulation de graisse. • Viande trop grasse. • Température de cuisson trop élevée. 	<ul style="list-style-type: none"> • Nettoyez le barbecue. • Enlevez la graisse de la viande avant de la cuire. • Réglez la température (plus basse).
Feu de graisse persistant.	<ul style="list-style-type: none"> • Graisse piégée par l'accumulation d'aliments autour des brûleurs. 	<ul style="list-style-type: none"> • Éteignez avec les boutons. Fermez le gaz au niveau de la bouteille. Laissez le couvercle en place et laissez le feu brûler. • Une fois le barbecue refroidi, démontez les pièces et nettoyez-les.
Retour de flamme... (feu dans le ou les tubes des brûleurs)	<ul style="list-style-type: none"> • Le brûleur ou le tube du brûleur est colmaté. 	<ul style="list-style-type: none"> • Éteignez avec les boutons. Nettoyez le brûleur et/ou les tubes

INFORMATIONS TECHNIQUES

Nom de l'appareil	BARBECUE D'EXTÉRIEUR GAZ		CE 2531DM-0020	
N° de modèle	HH200-F/SUNC-SLG2B-7960SS/ SUNC-SLG2B-7972BLACK			HH200-F/SUNC-SLG2B-7981SS-GER/ SUNC-SLG2B-7984BLACK-GER
Categorie d'appareil	I3+(28-30/37)		I3B/P(30)	I3B/P(50)
Type de gaz	Butane	Propane	Butane, propane ou melange de ces gaz	Butane, propane ou melange de ces gaz
Pression du gaz	20-30 mbar	37 mbar	30 mbar	50 mbar
Apport thermique	3.5 kW		3.5 kW	3.5 kW
Apport thermique total (Qn)	7 kW		7 kW	7 kW
	(509 g/h)		(509 g/h)	(509 g/h)
Injecteur	0.93 mm		0.93 mm	0.82 mm
Pays de destination	BE, FR, IT, LU, IE, GB, GR, PT, ES, CY, CZ, LT, SK, CH, SI, LV		LU, NL, DK, FI, SE, CY, CZ, EE, LT, MT, SK, SI, BG, IS, NO, TR, HR, RO, IT, HU, LV	AT, DE, SK, CH, LU

Nom de l'appareil	BARBECUE D'EXTÉRIEUR GAZ		CE 2531DM-0020	
N° de modèle	HH500-F/SUNC-SLG5B-7961SS/ SUNC-SLG5B-7973BLACK			HH500-F/SUNC-SLG5B-7982SS-GER/ SUNC-SLG5B-7985BLACK-GER
Categorie d'appareil	I3+(28-30/37)		I3B/P(30)	I3B/P(50)
Type de gaz	Butane	Propane	Butane, propane ou melange de ces gaz	Butane, propane ou melange de ces gaz
Pression du gaz	20-30 mbar	37 mbar	30 mbar	50 mbar
Apport thermique	3.5 kW		3.5 kW	3.5 kW
Apport thermique total (Qn)	17.5 kW		17.5 kW	17.5 kW
	(1273 g/h)		(1273 g/h)	(1273 g/h)
Injecteur	0.93 mm		0.93 mm	0.82 mm
Pays de destination	BE, FR, IT, LU, IE, GB, GR, PT, ES, CY, CZ, LT, SK, CH, SI, LV		LU, NL, DK, FI, SE, CY, CZ, EE, LT, MT, SK, SI, BG, IS, NO, TR, HR, RO, IT, HU, LV	AT, DE, SK, CH, LU

***0.93 mm indique que le diametre de l'injecteur est de 0,93 mm.**

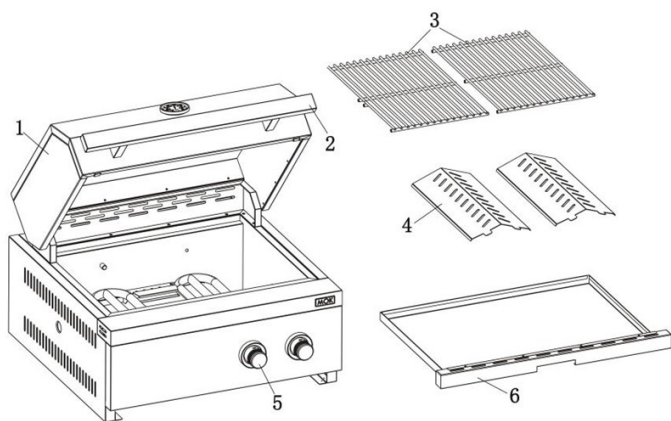
INSTRUCTIONS DE MONTAGE

Outils nécessaires :

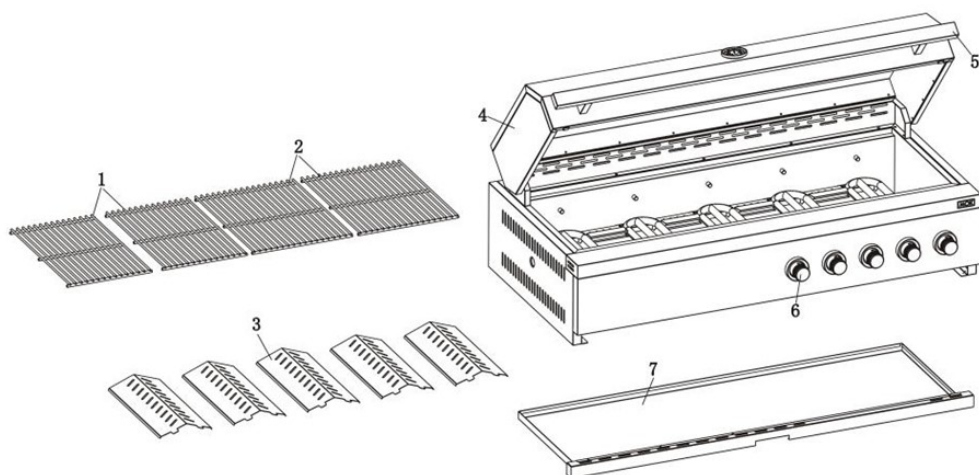
1. Tournevis
2. Gants (le cas échéant)



VUE ÉCLATÉE

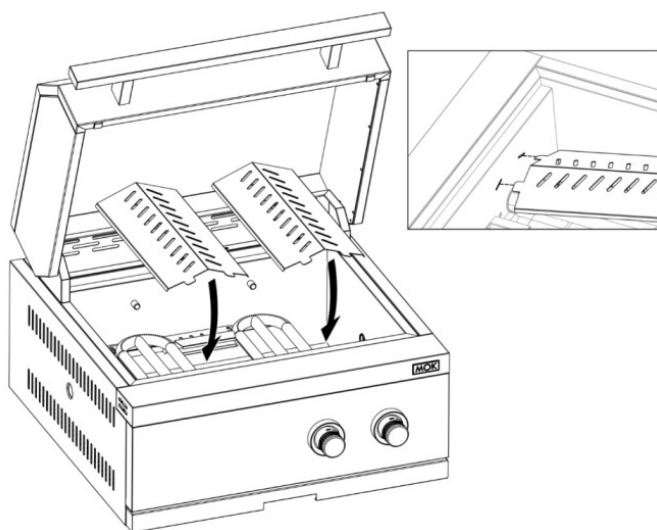


#	Nom de la pièce	#	Nom de la pièce
1	Hotte	4	Diffuseur de flamme
2	Poignée de la hotte	5	Bouton de réglage
3	Grille de cuisson	6	Plateau de recuperation des graisses

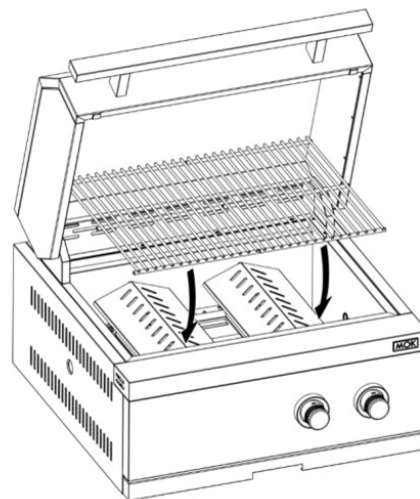


#	Nom de la pièce	#	Nom de la pièce
1	Grille de cuisson-A	5	Poignée de la hotte
2	Grille de cuisson-B	6	Bouton de réglage
3	Diffuseur de flamme	7	Plateau de recuperation des graisses
4	Hotte		

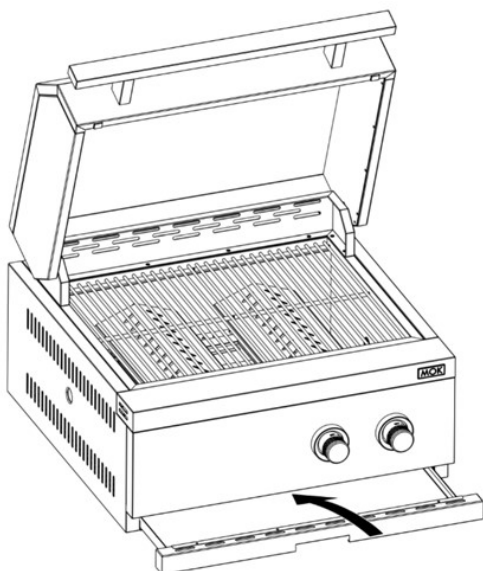
1. MONTAGE DU DIFFUSEUR DE FLAMME



2. MONTAGE DE LA GRILLE DE CUISSON



3. PLATEAU DE RECUPERATION DES GRAISSES



Lindström & Sondén AB
Havsbadsvagen 1, 262 63 Ängelholm, Suède

Service client : info@macuisinedexterieur.fr