

# My **OUTDOORKITCHEN**™

EN

## Assembly and operating manual

### Double Side Burner

HUI-SSIDE2B/HUI-SSIDE2B-GER



Read the operating instructions before using the device.  
Please keep the operating instructions for future reference.

Lindström & Sondén AB,  
Havsbadsvägen 1, 262 63 Ängelholm, Sweden

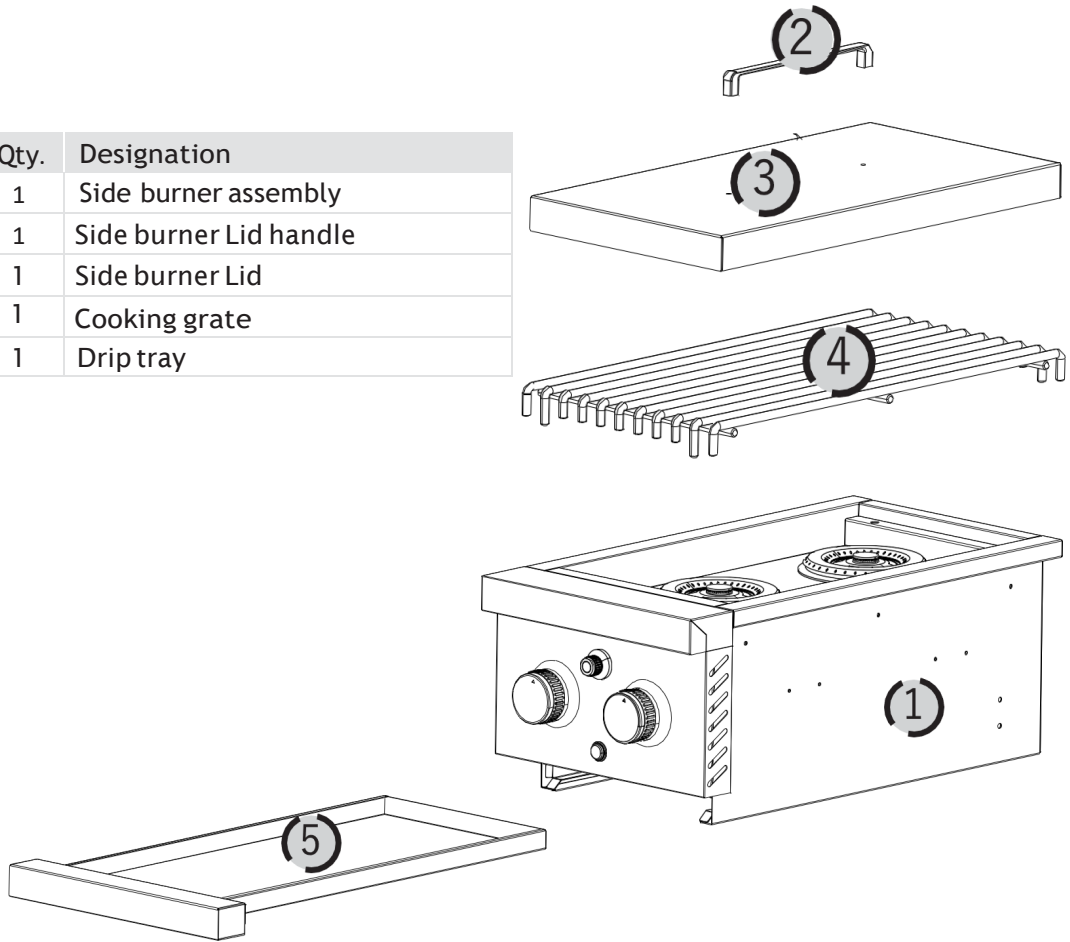
## Table of contents

<b>Exploded view &amp; Diagram.....</b>	<b>1</b>
<b>Part list.....</b>	<b>1</b>
<b>Controls.....</b>	<b>1</b>
<b>Function.....</b>	<b>2</b>
<b>Utilisation.....</b>	<b>2</b>
Proper use .....	2
Improper use.....	2
<b>Safety instructions.....</b>	<b>2</b>
General safety instructions .....	2
Residual risks.....	2
<b>Assembly.....</b>	<b>4</b>
Connecting and disconnecting the gas cylinder .....	4
Parts and tools needed .....	4
Before starting .....	5
Operation.....	6
Igniting the burners.....	6
Switching off the barbecue .....	6
<b>Cleaning.....</b>	<b>6</b>
Barbecue .....	6
Gas system .....	6
<b>Maintenance.....</b>	<b>7</b>
Barbecue .....	7
Gas system .....	7
<b>Environmental information and wastedisposal measures.....</b>	<b>7</b>
<b>Troubleshooting .....</b>	<b>7</b>
<b>Specifications .....</b>	<b>8</b>
<b>Assembly .....</b>	<b>9</b>
<b>Electrical Safety and Installation Warnings.....</b>	<b>12</b>
<b>Installing the Appliance in a BBQ Island .....</b>	<b>13</b>
Built in Installations .....	13
<b>Cutout Dimensions for Built-in Grills .....</b>	<b>14</b>
<b>Leak Test .....</b>	<b>15</b>

# Exploded view & Diagram

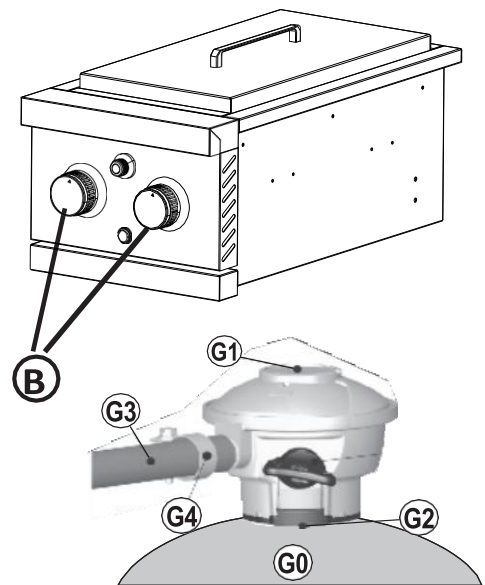
## Part list

Item	Qty.	Designation
1	1	Side burner assembly
2	1	Side burner Lid handle
3	1	Side burner Lid
4	1	Cooking grate
5	1	Drip tray



## Control elements

Item *	Designation	Function
B	Flame regulator for the grill unit	Feeds gas into the burner on the grill unit (press, set to "large flame" and keep depressed).  After ignition, adjust the heat input for each burner side (turn).
G0	Gas cylinder	Fuel container
G1	Pressure reducer for bottle valve	Reduce gas pressure
G2	Gas cylinder	Fuel container
G3	Rubber hose	Directs gas to burner
G4	Proper hose clip	Fuel container



It is recommended that you only use propane gas with your barbecue which is fitted with a propane gas regulator!

## Function

When the cylinder valve and flame regulator are open, the gas flows through the gas hose and the flame regulator into the burner.

Press in and turn the flame regulator (B) to activate the integrated Piezo ignition and a spark is produced at the burner spark plug.

Regulate or interrupt the gas supply (= heat output) to the corresponding burner using the flame regulator (B).

## Utilisation

### Proper use

This is a gas barbecue that is intended for outdoor use. The intended use comprises the exclusive use for cooking barbecue food in compliance with all instructions in this manual.

This barbecue is intended for private use only.

### Improper use

Any other use or application beyond the intended purpose is not permitted. This applies in particular to the following reasonably foreseeable types of improper use:

- Do not operate the barbecue with charcoal or fuel other than liquid gas (propane).
- Do not use the barbecue as a heating appliance.
- Do not use the barbecue to heat materials and substances other than barbecue food.

## Safety instructions

### General safety instructions

Failure to observe the following basic safety measures can result in severe injury to persons and substantial damage to property:

- Use the barbecue only in line with the intended use.
- Never use the barbecue if it is visibly damaged.
- Never modify the barbecue's technology. Only use original spare parts.
- Use only accessories that are expressly authorized for this barbecue (see the "Accessories" chapter; if in doubt please contact our customer service department).
- Only use the barbecue outdoors in a well ventilated area and above ground level (i.e. not in depressions below ground level).
- Never leave the barbecue unattended when in use. Take particular care to ensure that children and persons with physical or mental disabilities are kept away from the barbecue. They may not be able to identify the dangers correctly.

- Always wear barbecue mittens when using the barbecue.
- Small parts may be lethal if swallowed. Note that there is a danger of suffocation if the respiratory tract is covered by packing foil.

- This appliance can be used by children aged from 8 years and above and persons with reduced physical, sensory or mental capabilities or lack of experience and knowledge if they have been given supervision or instruction concerning use of the appliance in a safe way and understand the hazards involved. Children shall not play with the appliance. Cleaning and user maintenance shall not be made by children without supervision.
- If the supply cord is damaged, it must be replaced by the manufacturer, its service agent or similarly qualified persons in order to avoid a hazard.
- The Spark Ignition is supplied by **AA 1.5 V** battery.
- The appliance is intended for household use only.

## Residual risks



### Danger: Hot surfaces and parts

During operation some parts of the barbecue can become very hot, particularly those close to the grill unit and the lid.

#### Possible consequences:

- Severe burns from touching parts near the grill unit.
- Fire or smoldering fire if flammable materials or substances are near the barbecue.

#### Precautions prior to barbecuing:

- When setting it up, make sure that
  - there are not, and will not be, any flammable materials or substances nearby. Minimum distance to flammable materials or substances: 2 m overhead and 1 m to the side. Distance to flame-resistant materials or substances, e.g., walls: at least 0.25 m.
  - that the barbecue is positioned firmly on a sufficiently large area. It must not be moved during operation.

#### Precautions while barbecuing:

- Wear barbecue mittens.
- Never leave the barbecue unattended. Take particular care to ensure that children and pets are kept away from the barbecue.



### **Danger: Gas is highly flammable**

Liquid gas is highly flammable and explosive.

#### **Possible consequences:**

- Serious injury to persons or damage to property if escaping or accumulated gas ignites in an uncontrolled manner.

#### **Precautions:**

- Exclusively use the barbecue outdoors and ensure that the area is well-ventilated.
- Protect the gas cylinder and the gas hose from direct sunlight and other sources of heat (max. 50°C). Take particular care to ensure that the gas hose does not touch any part of the hot barbecue.
- Close the valve of the gas cylinder immediately after finishing to use the barbecue.
- When connecting the gas cylinder, make sure that there are no sources of ignition within a 5 m radius.

Important note: to avoid the risk of spark-over, do not to light naked flames, do not smoke and do not actuate the switches of electric devices (appliances, lights, door bells, etc.).

- Before each use, make sure that all gas connections are sealed and intact.

If necessary, replace the gas hose if required to do so to comply with local legislation.

The barbecue must not be used if the connections for the gas supply are porous or defective. This also applies, for example, to hoses or fittings that are blocked with insects, as this can result in a dangerous flashback.

- When igniting the gas flame do not bend over the barbecue, as deflagration can occur if gas has accumulated in the fire bowl.

For the same reason, never re-ignite immediately if the flame goes out, instead:

- Turn the flame regulators (B) to "Off" to interrupt the supply of gas.
- Wait for 3 minutes to ensure that any accumulated gas has dissipated.
- Then re-ignite the burners (see chapter "Operation").



### **Danger: Gas displaces oxygen**

Liquid gas is heavier than oxygen. Therefore it settles on the ground and displaces the oxygen at that level.

#### **Possible consequences:**

- Suffocation resulting from a lack of oxygen if the concentration of gas is allowed to rise to a certain extent.

#### **Precautions:**

- Exclusively use the barbecue outdoors in a well ventilated area and above ground (i.e. not in areas that are below ground level).
- Close the valve of the gas cylinder immediately after finishing to use the barbecue.
- If the barbecue is not going to be used for a prolonged period, cut off the supply from the gas cylinder and store properly:
  - Fit the gas cylinder valve with a cap nut and safety cap.
  - Do not store the gas cylinder in rooms below ground level, in or near stairways, hallways or passages and thoroughfares between buildings.
  - Always store gas cylinders upright, even if they are empty!

## Assembly

- Check that no parts are missing.
- To assemble the barbecue, all you need is a medium- sized screwdriver.
- Only use tools that are intact and suitable for the job at hand. Worn or unsuitable tools will not allow you to tighten the bolts sufficiently, but will damage them to the extent that they can no longer be turned.
- Always fit all connecting elements (screws, nuts, bolts, et cetera) as shown in the illustrations. If you misplace a connecting element, replace it with an appropriate part.
- Be sure to follow the instructions in the specified order!



The illustrations showing the assembly steps are at the end of this manual.

## Connecting and disconnecting the gas cylinder

### Parts and tools needed

- Gas cylinder  
Common Patio Gas cylinder, fill weight 4,5 or 7 kg, (e.g. green Propane Gas cylinder). These are available at DIY shops or from liquid gas suppliers.

### Leak indicator

- You can locate any leaks in the gas system using a leak detector. This can be purchased at DIY shops or liquid gas suppliers. Please follow the operating instructions of the leak detector.

The following parts must comply with the CE standards applicable in the country to which they have been supplied:

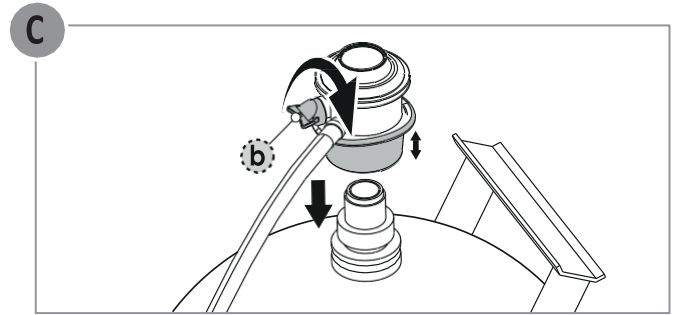
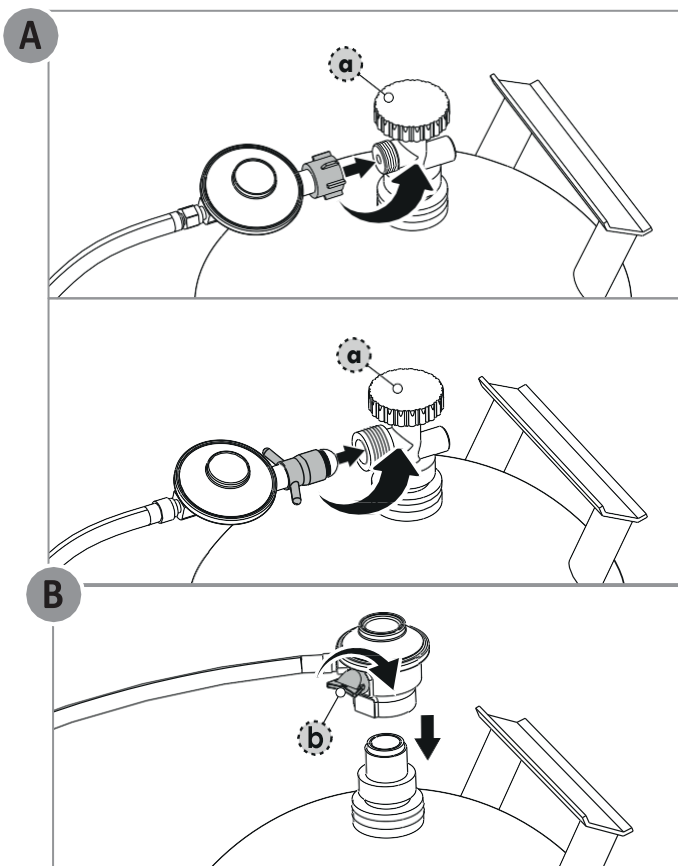
- Gas hose  
Approved hose of a sufficient length (max. 1.5 m) to allow for kink-free assembly.
- Pressure regulator  
Preset and -approved pressure regulator, max. 1.5 kg/h, operating pressure 28-30/37 mbar, suitable for the gas cylinder used.

## Liquid gas cylinder connection

Please note the different national connection options for liquid gas cylinders. Different pressure regulators are used accordingly.

1. Make sure that all burner control knobs are in the OFF position. Press the control knobs inwards and turn them clockwise.
2. Determine the controller type and connect the controller to the liquid gas cylinder according to the instructions.
3. Make sure that the gas cylinder valve or the pressure regulator lever is closed.

- A. Connecting the pressure regulator with a left-hand thread. Screw the pressure regulator to the liquid gas cylinder connection. To do this, turn the pressure regulator coupling nut anti-clockwise. Turn the valve (a) on the liquid gas cylinder anti-clockwise so that the gas flows out and you can start up the barbecue.
- B. Connecting the pressure regulator with a lever. Turn the pressure regulator lever (b) clockwise to the OFF position. Press the pressure regulator onto the liquid gas cylinder valve until the pressure regulator obviously engages. Turn the lever anti-clockwise to ON so that the gas flows out and you can start up the barbecue.
- C. Connecting the pressure regulator with a collar. Make sure that the pressure regulator lever (b) is in the OFF position. Slide up the pressure regulator collar and maintain the pressure. Press the pressure regulator onto the gas cylinder valve and slide down the collar to close it. If the pressure regulator does not engage, repeat the procedure



**Make sure that the hose is not kinked or twisted in any way and that it is not undertension.**

### Removing the pressure regulator:

1. Make sure that the gas cylinder valve (a) or the pressure regulator lever (b) is closed.
2. Turn on all the burner control knobs so that the remaining gas in the system can escape.
3. Now remove the pressure regulator in the opposite order to as described above.

### Leakage check:

Open the gas cylinder valve (a) or the pressure regulator lever (b) and use a standard leak indicator to check whether all connections on the gas system and the connection between the gas cylinder and the pressure regulator are tight. For this purpose, moisten all gas connections with a standard leak indicator or soapy water (80% water, 20% liquid soap). Bubbles form at leaks in the joints. Observe the instructions for the leak indicator!

If a leak is detected, close the gas cylinder valve (a) or the pressure regulator lever (b) immediately and tighten the loose connection or replace the leaking part.

Repeat the leak test.

**⚠ DANGER!** Never search for gas leaks using an open flame. Before checking for leaks, make sure that no sparks or open flames can form in the vicinity. Sparks or flames can cause an explosion which can lead to serious or even fatal injuries or material damage.

### Before starting

- Select a suitable, preferably wind-sheltered area to set up the barbecue. Make sure that ...
  - there are not, and will not be, any flammable materials or substances in the vicinity. The minimum distance to flammable materials or substances must be 2 m overhead and 1 m to the side of the barbecue; the distance to flame-resistant materials or substances must be at least 0.25 m.
  - the barbecue is positioned firmly on a sufficiently large area. It must not be moved during operation.
- The cooking island is designed to hold a gas bottle inside!
  - Never lay the gas cylinder on its side.
  - Do not kink the gas hose or apply a tension to it.
- Make sure that the seal in the pressure regulator is present and intact. Do not use any additional seals.
- When connecting the gas cylinder ensure that there are no sources of ignition within a 5 m radius. Important note: to avoid the risk of spark-over, do not to light naked flames, do not smoke and do not actuate the switches of electric devices (appliances, lights, door bells, etc.).

## Operation



### Caution:

Observe the maximum load of the shelves (see Technical Data). Heavier loads can damage the barbecue.

## Igniting the burner



### Danger: gas deflagration upon ignition

If unburned gas accumulates, deflagration can occur when igniting.

#### Possible consequences:

- This can cause severe injury or damage.

#### Precautions:

- Do not lean over the barbecue when igniting the gas flame.
- Never re-ignite immediately if the flame goes out, instead:
  - Turn the flame regulators (B) to "Off" to interrupt the supply of gas.
  - Wait for 3 minutes to ensure that any accumulated gas has dissipated.
  - Then re-ignite the burners.

1. Open the lid on the grill unit.

Maintain the greatest possible distance from the grill unit during the next few steps.

2. Press and turn the respective flame regulator (B) in anti-clockwise direction to HIGH ("large flame"). Keep it pressed in this position. In this process, you will hear a cracking noise caused by the Piezo ignition and the burner ignites.
3. Allow the barbecue to heat up at full power.

The first time you use the barbecue, heat for some 20 minutes without food so that the food-safe coating is hardened (as with any oven).

## Switching off the barbecue

1. Close the cylinder valve.
2. Press and turn all flame regulators (B) clockwise to "OFF".
3. Wait until all of the parts have cooled down and then clean any soiled components (see chapter "Cleaning").
4. Close the lid on the grill unit.
5. If the barbecue is not going to be used for a prolonged period:
  - Disconnect the gas cylinder (see chapter "Disconnecting the gas cylinder").
  - Store the barbecue in a dry place. The barbecue must be covered with a recommended bbq cover.

## Cleaning

### Barbecue



### Danger: Risk of burns when cleaning the hot barbecue

Some parts of the barbecue can get very hot. Allow the barbecue to cool down sufficiently before cleaning it. Wear protective gloves.



### Caution: Spark plug on burner can be bent

The spark plugs on the burner can be bent or snapped off while cleaning the burner areas. In this case, the gas in the burner will not ignite. For this reason, clean the areas around the burners with particular care.

To make sure that you enjoy your barbecue for many years, you should always clean it after use – after making sure that all the parts have cooled down – with detergent, a brush and a cloth. It will be much harder to do this later, once the dirt has dried.

### Gas system

The gas outlet nozzles on the adjusters (underneath the front panel) can be cleaned with a pin if necessary.



### Warning: Risk of fire and explosion

All other parts through which gas is transferred should only be cleaned by an expert.

Never dismantle the adjusting elements!



## Maintenance

The barbecue is maintenance-free. Nevertheless, you should check it at regular intervals. The intervals depend on how often it is used and the environmental conditions to which it is exposed.

### Barbecue

- Inspect the burners for dirt and blockage. Particularly make sure that both air inlets at the side of each burner tube are clear. If necessary, clean the inlets, e.g. with a pipe cleaner.
- A contaminated burner can impair the performance of the barbecue and lead to a dangerous ignition of gas outside the burner.
- Make sure that all parts of the barbecue are available and assembled (visual check).
- Check to ensure that all connections are present and securely fastened. Tighten if necessary.

## Gas system

The gas system needs to be checked every time a gas cylinder is connected (see chapter "Connecting and disconnecting the gas cylinder").

If necessary, replace the hose to comply with the national requirements.

## Environmental information and waste disposal measures

Pay attention to cleanliness when handling the barbecue.

To dispose of the barbecue properly, disassemble it into its individual parts. Recycle the metal and plastic components.

Observe the local regulations.

## Troubleshooting

Fault	Potential cause	Remedy
Appliance will not light	<ol style="list-style-type: none"> <li>1. Gas cylinder valve is closed.</li> <li>2. Gas cylinder gas level is low.</li> <li>3. "Match lighting" may be necessary.</li> <li>4. Connections to the igniter are loose.</li> <li>5. Electrodes may be wet.</li> <li>6. Debris is blocking the electrodes.</li> <li>7. No spark shows at igniter tip.</li> </ol>	<ol style="list-style-type: none"> <li>1. Turn ON gas cylinder valve.</li> <li>2. Replace gas cylinder.</li> <li>3. "Match lighting" light grill per this manual's instructions.</li> <li>4. Reconnect or replace wiring to igniter.</li> <li>5. Dry electrodes with dry cloth.</li> <li>6. Clean electrodes with rubbing alcohol and retry.</li> <li>7. Replace igniter.</li> </ol>
Flame will not stay lit	<ol style="list-style-type: none"> <li>1. Gas valve is closed.</li> <li>2. Gas gas level is low.</li> <li>3. Burner is not properly installed or dirty.</li> </ol>	<ol style="list-style-type: none"> <li>1. Turn ON gas valve.</li> <li>2. Replace Gas cylinder.</li> <li>3. Reinstall burner properly and clean out any debris.</li> </ol>
Flame is low, irregular or noisy	<ol style="list-style-type: none"> <li>1. Gas cylinder gas level is low.</li> <li>2. Burner ports may be clogged.</li> <li>3. Gas supply may be bent or kinked.</li> <li>4. Appliance may be in an area that is too windy.</li> <li>5. There are obstructions such as grease debris, or insects in air inlets.</li> </ol>	<ol style="list-style-type: none"> <li>1. Replace gas cylinder.</li> <li>2. If only one burner is affected, check and clean the burner ports.</li> <li>3. Straighten out the gas supply hose.</li> <li>4. Wait until wind subsides to continue.</li> <li>5. Clean burner air inlets of obstructions.</li> </ol>

# Technical specifications

## Approvals

SGS	Test number C€ - 2531, PIN No. 2531DL-0055
-----	--

## Barbecue

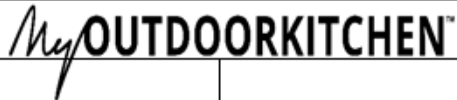

Appliance category	I <sub>3+(28-30/37)</sub> according to DIN EN 484
Weight	Single side burner 7.8 kg    Double side burner 11 kg
Dimensions (L x H x W)	Single side burner approx. 32 x 46 x 29 cm
	Double side burner approx. 32 x 61 x 29 cm
Cooking area (L x W)	Single side burner approx. 24x30cm
	Double side burner approx. 24 x 45cm

## Gas system

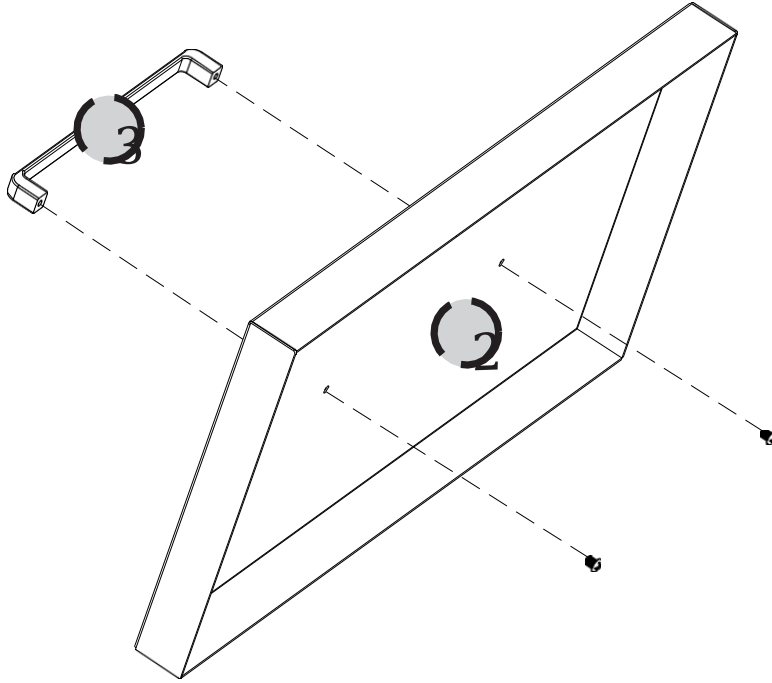
Gas type	I3B/P
Pressure regulator	Preset and C€- approved pressure
Flow rate	regulator max. 1.5 kg/h
Operating pressure	28-30/37/50 mbar
Gas cylinder	Standard gas cylinder with a fill weight of 4,5 or 7 kg
Gas hose	C€-approved hose (max 1.2 m)
Flame regulation	infinitely adjustable 0 - max.
Ignition Type	Pulse ignition

Item No.	Model	Heat rate	Nozzle Size(mm)		
			burner		
			29mbar	37mbar	50mbar
1	HUI-SSIDE2B/HUI-SSIDE2B-GER	3.5KW*2=7.0KW(512 g/h)	0.93	0.87	0.81

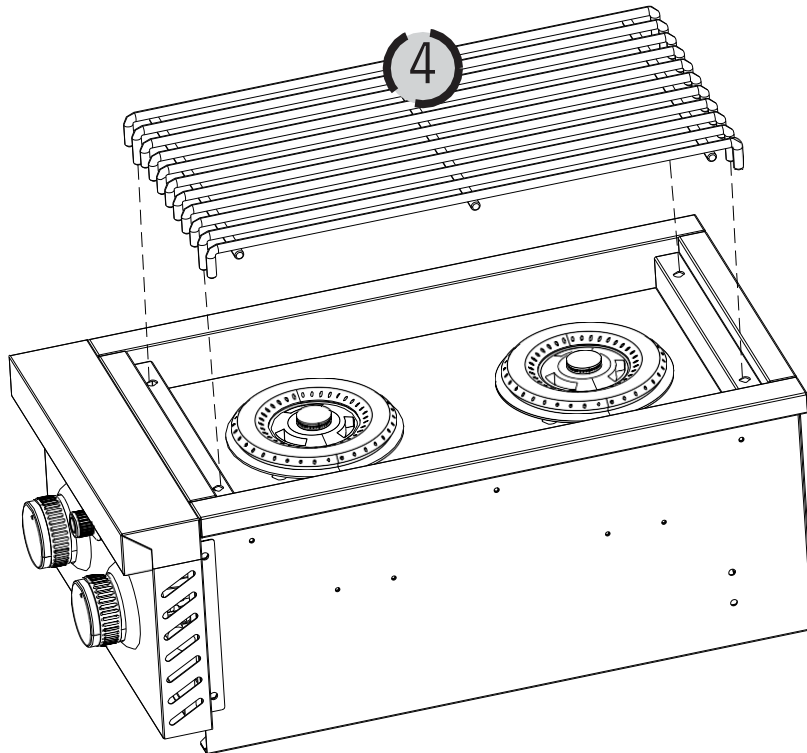
Serial No.:

<b>GAS BARBECUE</b>					
<b>EN</b>					
Appliance Name	Double side burner				
Model No.	HUI-SSIDE2B/HUI-SSIDE2B-GER				
Total Nominal Heat Input	3.5KW x 2=7.0KW(512 g/h)				
Electrical supply	1.5 V battery				
Serial No.					
Gas Category	I <sub>3+(28-30/37)</sub>	I <sub>3B/P(30)</sub> ✓	I <sub>3B/P(50)</sub>	I <sub>3B/P(37)</sub>	
Gas Type	Butane	Propane	Butane, Propane or their mixtures		
Gas Pressure	28-30 mbar	37 mbar	28-30 mbar	50 mbar	37 mbar
Destination countries	BE, FR, IT, LU, IE, GB, GR, PT, ES, CY, CZ, LT, SK, CH, SI and LV	LU, NL, DK, FI, SE, CY, CZ, EE, LT, MT, SK, SI, BG, IS, NO, TR, HR, RO, IT, HU and LV.	DE, AT, CH, SK, LU,	PL	
<b>Use outdoors only.</b> <b>Read the instructions before using the appliance.</b> <b>WARNING: Accessible parts may be very hot, Keep young children away.</b>					
Lindström & Sondén AB					 2531-20 Pin Code: 2531DL-0055
Havsbadsvägen 1, 262 63 Ängelholm, Sweden			Made in China		

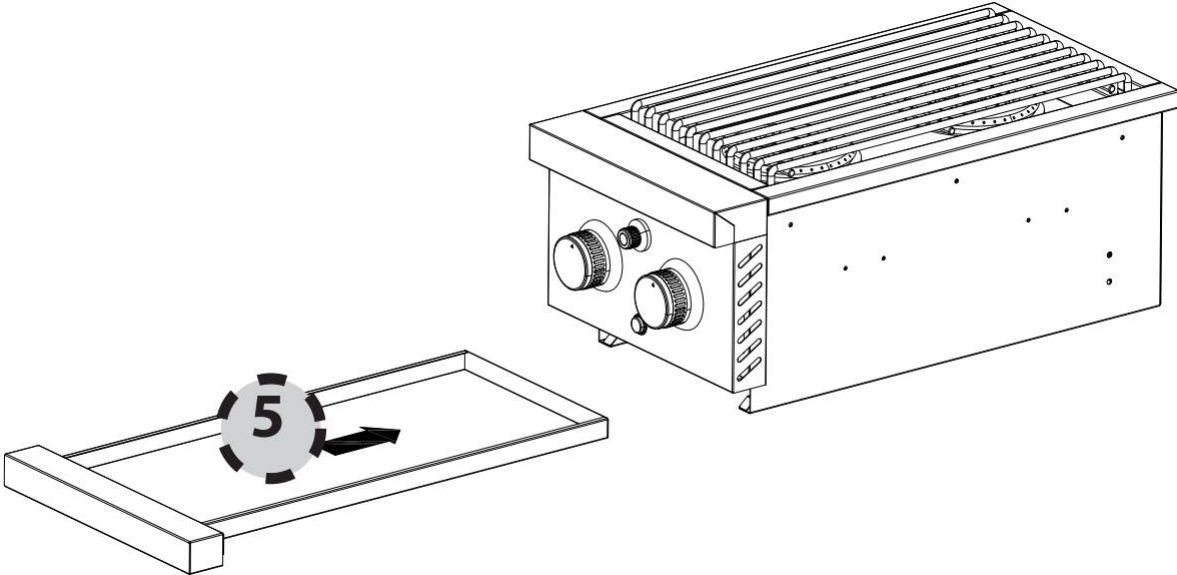
1.



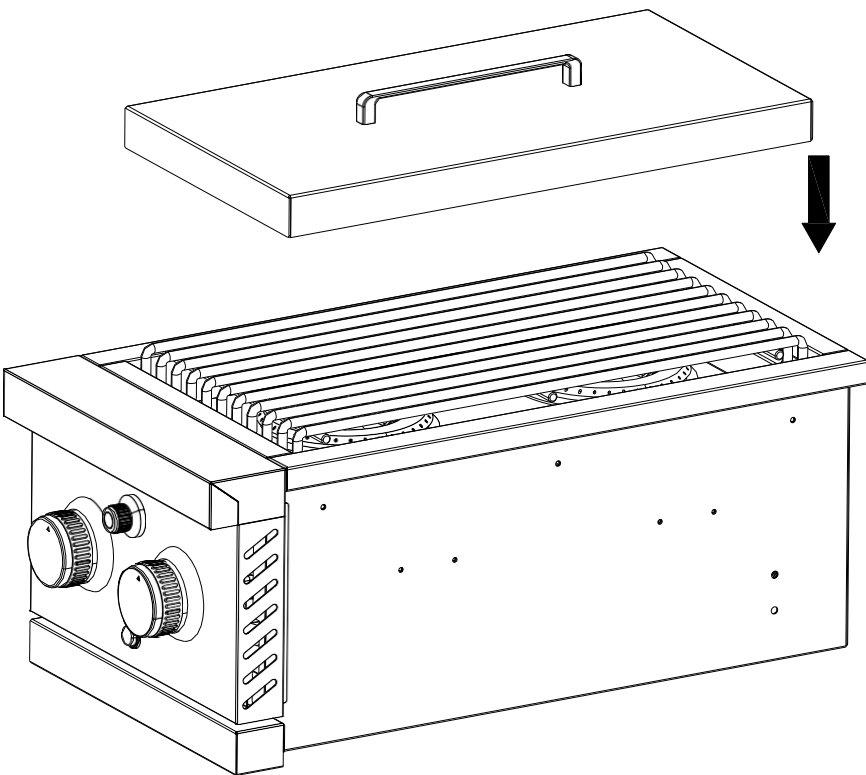
2.

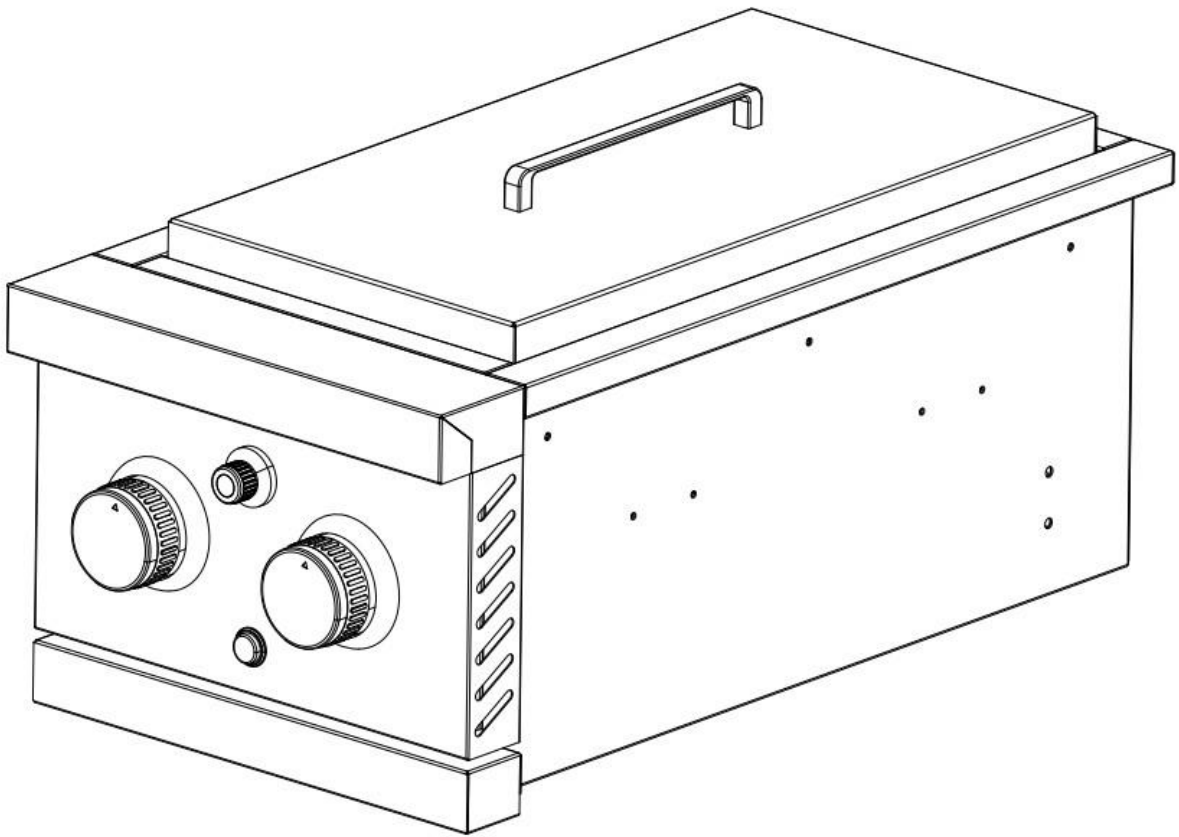


3.



4.





# **Electrical Safety and Installation Warnings**

Extension cords may be used if care is exercised in their use. If an extension cord is used:

- The marked electrical rating of the cord set or extension cord should be at least as great as the electrical rating of the appliance
- The cord should be arranged so that it will not touch hot surfaces, sharp edges or drape over the countertop or tabletop (where it can be pulled or tripped over unintentionally).

Outdoor extension cords should be used with products suited for outdoor use. They are surface marked with suffix letters "W" or "W-A" and with a tag stating "Suitable for Use with Outdoor Appliances".

To protect against electrical shock, the power cord and plug should be kept dry and off of the ground. Do not clean this product with water spray; do not spray cleaners into the lamp socket area.

Gasoline, lighter fluid or other flammable liquids and vapors should never be stored in the area of this appliance or any other appliance.

Before installation or service, disconnect the power supply to the work area by removing the fuse, "tripping" the circuit breaker, or unplugging the unit.

NOTE: Use a 13 AMP Breaker with GFI protection.

NOTE: This grill uses a "Transformer" to provide power to the LED lights . This diagram shows the connection to the transformer.



Keep any electrical supply cord and fuel supply hose away from any heated surfaces, sharp edges and dripping grease.

Be certain your appliance is properly installed and grounded by a qualified technician in accordance with applicable codes. To guarantee the electrical safety of this appliance, continuity must exist between the appliance and an effective grounding system. It is imperative that this basic safety requirement be met. The manufacturer cannot be held responsible for damages caused by the lack or inadequacy of an effective grounding system.

Do not operate any appliance with a damaged power cord or power plug, and do not operate any appliance after the appliance malfunctions or has been damaged in any manner. If this should occur, return the appliance to the nearest authorized service facility for examination, repair or adjustment.

## Installing the Appliance in a BBQ Island

Always check with local building codes, fire inspectors, neighborhood association and local contractors before constructing an island. A permit may be required for building any outdoor kitchen.



### Caution:

The island must be made out of non-combustible materials. In the event it is combustible, the use of an insulated jacket is required. Minimum clearance to adjacent combustible construction is 90 cm from sides & 90 cm from back.

- Before installing an appliance in any island cut out, make sure that the opening is not bigger than the outside frame of the appliance. The appliance should rest on the lip of the frame. Pay careful attention to the location of the gas line. It should be routed away from sources of heat, sharp edges and should make as few bends as possible.
- Check to verify the gas line connection will be accessible when the appliance is installed.
- If the gas line connection is not easily accessible when the appliance is installed, support the appliance above counter level and attach the gas line to the appliance. When the gas connection is made, slide the appliance into the cut out. If the gas line connection is accessible when the appliance is installed, slide the appliance into the cut out and then attach the gas line. Be very careful not to kink the gas line when lowering the appliance into the cut out.
- Keep your fingers away from where the appliance will be supported on counter. Your fingers could become trapped and serious injury could occur.
- Check to make sure the appliance is level and is supported around the entire outside edge. If the appliance is not level or is unstable, use non-combustible shims under the outside lip to stabilize it.
- Make sure to perform the leak test procedure as described in this manual.

## Built in Installations



### Caution:

Built-in grills are intended either for installation in a built in enclosure constructed of non-combustible materials or for an installation in a built in enclosure constructed of combustible material when installed with a insulated jacket .

For non-combustible applications, the grill drops into the opening shown in the cutout detail drawing (See Cutout Dimensions for Built In Grills on page 19) and hangs from its counter-top trim. A shelf is not required to support it from the bottom.

When using the insulated jacket in a combustible enclosure, the jacket must be supported from the bottom by a ledge on each side or a full deck beneath the jacket.

Pay special attention to the instructions shown for gas line hook-up.

The enclosure should have ventilation holes to prevent gas build-up in the event of a leak. The deck ledges and counter should be flat and level.

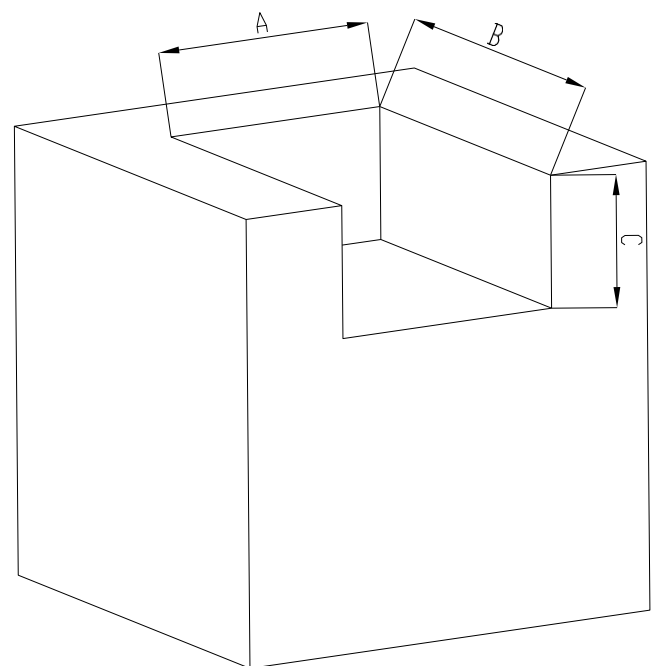
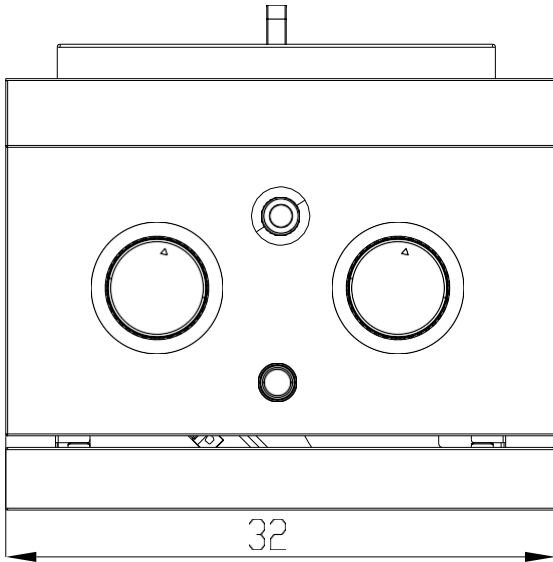
### Overhead Protection and Exhaust Removal

Do not install this appliance under any unprotected overhead combustible construction. If installed under any combustible construction the cooking area over the grill must be covered with an exhaust hood.

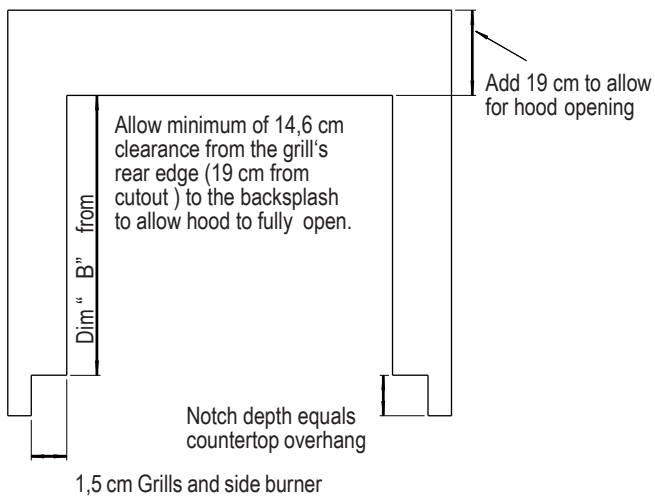
The hood must provide 8 cm to 15 cm of overhang on all exposed sides. The exhaust hood shall provide no less than 2040 m<sup>3</sup>/h (1200 cfm) for proper exhaust ventilation.

## Cutout Dimensions for Built-in Grills

Model	Cutout Dimension (cm)		
	A	B	C(min.)
HUI-SSIDE2B/ HUI-SSIDE2B-GER	27	54.5	23.5



**Caution:** Required additional grill and side burner details



Countertop Notch Detail

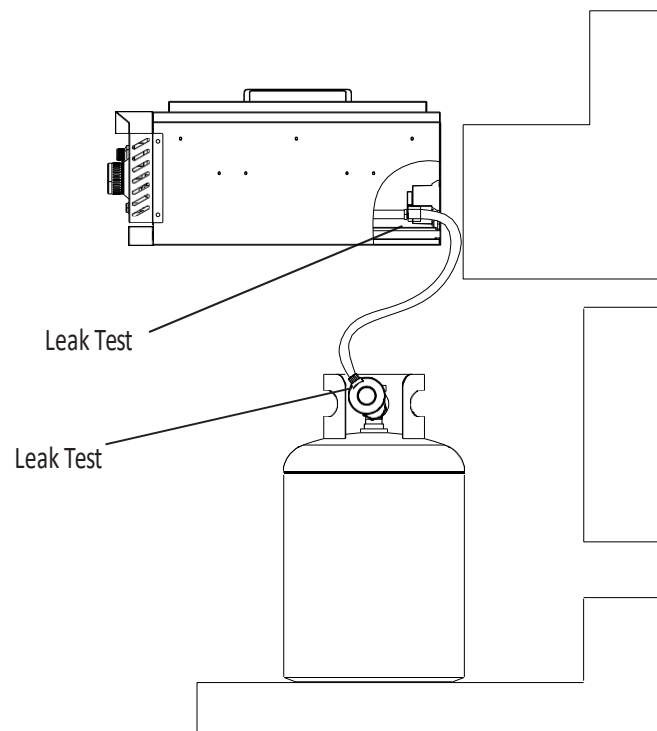


**Caution:** Always have all Grill and Accessories on hand when constructing an island to make sure of proper fit.



## Leak Test

1. Prepare a leak testing solution of soapy water by mixing in a spray bottle with one part liquid soap to three parts water
2. Confirm that all control knobs are in the OFF position.
3. Turn the main gas valve supply ON.
4. Apply leak testing solution by spraying on the pipe joints, fittings, and hose.
5. A gas leak is detected if;
  - a) There is a faint gas smell and/or...
  - b) Growing bubbles appear on any of the connection points and/or hose, DO NOT attempt to ignite the grill and IMMEDIATELY turn off the gas supply valve.
6. When there is a gas leak, call a qualified service technician. DO NOT use the grill until the leak is corrected.



Bottle Gas Hook Up

**Lindström & Sondén AB**

Havsbadsvägen 1, 262 63 Ängelholm, Sweden

**Customer Service:** [info@myoutdoorkitchen.co.uk](mailto:info@myoutdoorkitchen.co.uk)

# My **OUTDOORKITCHEN**™

SV

## Monterings- och användarmanual

### Inbyggbar dubbel sidobrännare HUI-SSIDE2B/HUI-SSIDE2B-GER



Läs bruksanvisningen innan du använder enheten.  
Spara bruksanvisningen för framtida referens.

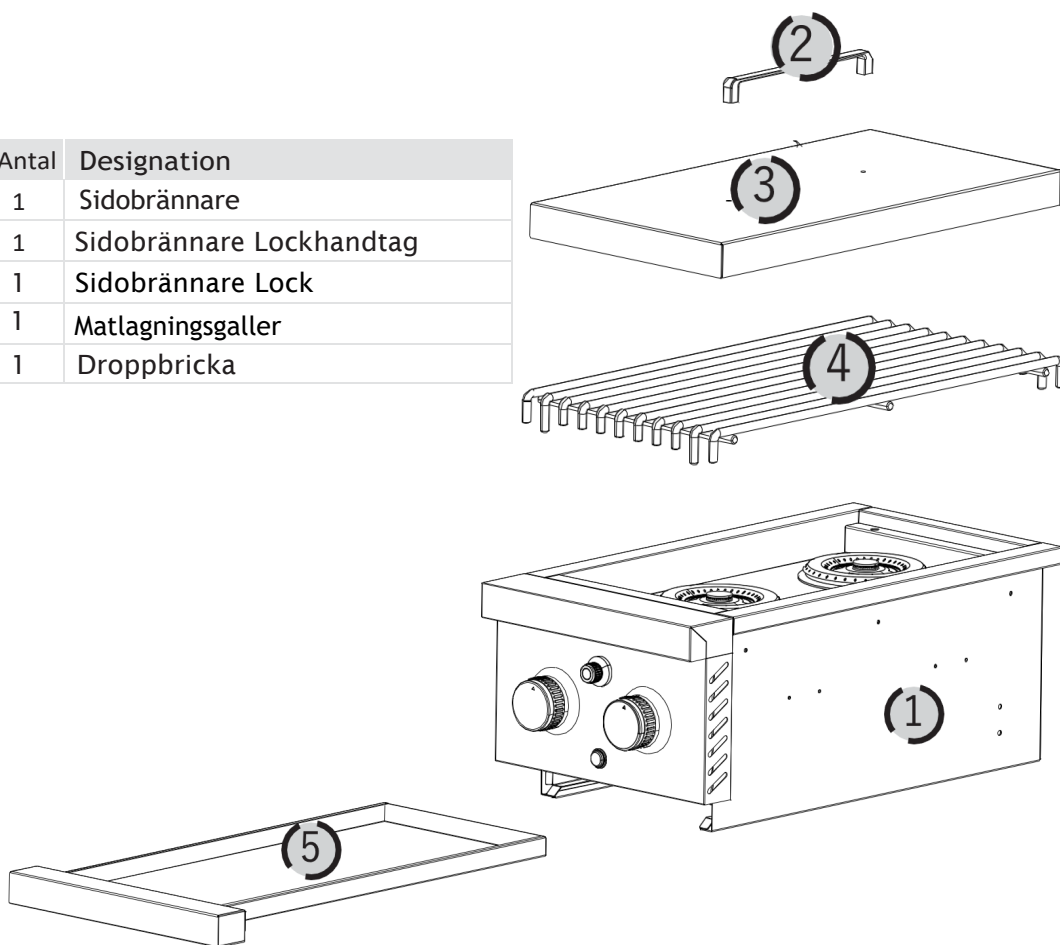
# Innehållsförteckning

<b>Sprängskiss &amp; diagram .....</b>	<b>1</b>
<b>Dellista.....</b>	<b>1</b>
<b>Kontroller .....</b>	<b>1</b>
<b>Funktion .....</b>	<b>2</b>
<b>Användande.....</b>	<b>2</b>
Korrekt användande.....	2
Inkorrekt användande .....	2
<b>Säkerhetsinstruktioner.....</b>	<b>2</b>
Generella säkerhetsinstruktioner .....	2
Varningar.....	2
<b>Montering.....</b>	<b>4</b>
<b>Koppla in och ur gasflaskan.....</b>	<b>4</b>
Användbara verktyg och delar.....	4
Innan användning .....	5
<b>Användande.....</b>	<b>6</b>
Tända brännarna.....	6
Stänga av grillen.....	6
<b>Rengöring.....</b>	<b>6</b>
Grill .....	6
Gas system .....	6
<b>Underhåll .....</b>	<b>7</b>
Grill.....	7
Gas system .....	7
<b>Miljöinformation och avfallshanteringsåtgärder.....</b>	<b>7</b>
<b>Problemsökning.....</b>	<b>7</b>
<b>Tekniska specifikationer .....</b>	<b>8</b>
<b>Montering .....</b>	<b>9</b>
<b>Varningar för elsäkerhet och installation .....</b>	<b>12</b>
<b>Installing the Appliance in a BBQ Island .....</b>	<b>13</b>
Installation för inbyggnad .....	13
<b>Utskärningsmått för inbyggda grillar .....</b>	<b>14</b>
<b>Test för läckage .....</b>	<b>15</b>

# Sprängskiss & diagram

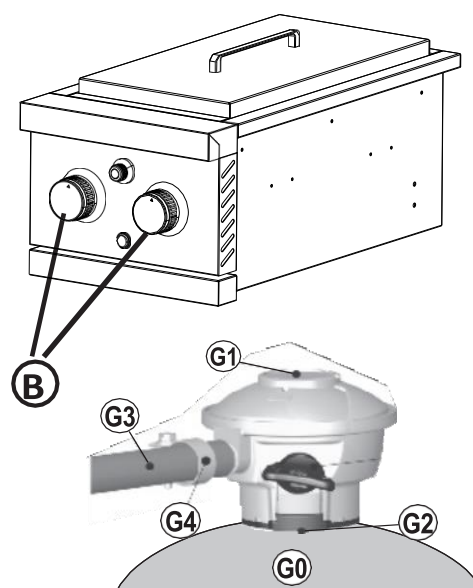
## Dellista

Artikel	Antal	Designation
1	1	Sidobrännare
2	1	Sidobrännare Lockhandtag
3	1	Sidobrännare Lock
4	1	Matlagningsgaller
5	1	Droppbricka



## Kontroller

Objekt	Beteckning	Funktion
B	Flamreglering-latator förgrillenhet	Matar in gas i brännaren på grillenheten (tryck, ställ in på "stor låga" och håll nertryckt).  Efter tändning, justera värmeförseln till varje brännare (vrid).
G0	Gasflaska	Bränslebehållare
G1	Tryckreducerare för flaskventil	Minska gastrycket
G2	Gasflaska	Bränslebehållare
G3	Gummislang	Leder gasen till brännaren
G4	Proper hose clip	Rätt slangklämma



Det rekommenderas att du endast använder propangas till din grill som är utrustad med en propangasregulator!

## Funktion

När cylinderventilen och flamregulatorn är öppna strömmar gasen genom gasslangen och flamregulatorn in i brännaren.

Tryck in och vrid på flamregulatorn (B) för att aktivera den integrerade piezotändningen och en gnista bildas vid brännarens tändstift.

Reglera eller avbryt gastillförseln (= värmeeffekt) till motsvarande brännare med hjälp av flamregulatorn (B).

## Användning

### Korrekt användning

Detta är en gasgrill som är avsedd för utomhusbruk. Den avsedda användningen omfattar den exklusiva användningen för tillagning av grillmat i enlighet med alla instruktioner i denna bruksanvisning. Denna grill är endast avsedd för privat bruk.

### Inkorrekt användning

All annan användning eller tillämpning utöver det avsedda syftet är inte tillåten. Detta gäller särskilt för följande rimligen förutsebara typer av felaktig användning:

- Använd inte grillen med kol eller annat bränsle än flytande gas (propan).
- Använd inte grillen som värmeapparat.
- Använd inte grillen för att värma andra material och ämnen än grillmat.

## Säkerhetsinstruktioner

### Allmänna säkerhetsanvisningar

Underlåtenhet att följa följande grundläggande säkerhetsåtgärder kan leda till allvarliga personskador och betydande skador på egendom:

- Använd endast grillen i enlighet med avsedd användning.
- Använd aldrig grillen om den är synligt skadad.
- Modifiera aldrig grillens teknik. Använd endast originalreservdelar.
- Använd endast tillbehör som är uttryckligen godkända för denna grill (se "Tillbehör" kapitel; om du är osäker, kontakta vår kundtjänst).
- Använd endast grillen utomhus i ett väl ventilerat utrymme och ovan marknivå (dvs inte i sänkor under marknivå).
- Lämna aldrig grillen utan uppsikt när den används. Se särskilt till att barn och personer med fysiska eller psykiska funktionsnedsättningar hålls borta från grillen. De kanske inte kan identifiera farorna korrekt.

- Bär alltid grillvantar när du använder grillen.
- Små delar kan vara dödliga om de sväljs. Observera att det finns risk för kvävning om luftvägarna täcks av packningsfolie.
- Denna apparat kan användas av barn från 8 år och uppåt och personer med nedsatt fysisk, sensorisk eller mental förmåga eller brist på erfarenhet och kunskap om de har fått övervakning eller instruktioner om hur man använder apparaten på ett säkert sätt och förstår inblandade faror. Barn får inte leka med apparaten. Rengöring och användarunderhåll får inte utföras av barn utan tillsyn.
- Om nätsladden är skadad måste den bytas ut av tillverkaren, dess serviceombud eller liknande kvalificerade personer för att undvika fara.
- Elektrisk tändning levereras med AA 1,5 V-batteri.
- Apparaten är endast avsedd för hushållsbruk.

## Varningar



### **VARNING: Varma ytor och delar**

Under drift kan vissa delar av grillen bli mycket varma, särskilt de som är nära grillenheten och locket.

### **Möjliga konsekvenser**

- Allvarliga brännskador från beröring av delar nära grillenheten.
- Brand eller pyrande eld om brandfarliga material eller ämnen finns i närheten av grillen.

### **Försiktighetsåtgärder före grillning:**

- Se till att när du ställer in den – det finns inte, och kommer inte att finnas, några brandfarliga material eller ämnen i närheten. Minsta avstånd till brandfarliga material eller ämnen: 2 m ovanför och 1 m åt sidan. Avstånd till flambeständiga material eller ämnen, t.ex. väggar: minst 0,25 m. – att grillen står stadigt på en tillräckligt stor yta. Den får inte flyttas under drift.

### **Försiktighetsåtgärder vid grillning**

- Använd grillvantar.
- Lämna aldrig grillen utan uppsikt. Se till att barn och husdjur hålls borta från grillen.



### Fara: Gas är mycket brandfarligt

*Gas är mycket brandfarligt och explosivt*

#### Möjliga konsekvenser:

- Allvarliga personskador eller skador på egendom om utströmmande eller ansamlad gas antänds på ett okontrollerat sätt.

#### Försiktighetsåtgärder:

- Använd uteslutande grillen utomhus och se till att området är väl ventilerat.
- Skydda gasflaskan och gasslangen från direkt solljus och andra värmekällor (max. 50°C). Var särskilt noga med att se till att gasslangen inte vidrör någon del av den varma grillen.
- Stäng ventilen på gasflaskan omedelbart efter avslutad användning av grillen.
- När du ansluter gasflaskan, se till att det inte finns några antändningskällor inom en radie på 5 m. Viktig anmärkning: för att undvika risken för gnistor, tänd inte öppna lågor, rök inte och aktivera inte strömbrytarna på elektriska apparater (apparater, lampor, dörrklockor, etc.).
- Före varje användning, se till att alla gasanslutningar är täta och intakta.

Byt ut gasslangen om det behövs för att följa lokal lagstiftning.

Grillen får inte användas om anslutningarna för gastillförseln är porösa eller defekta. Detta gäller till exempel även slangar eller kopplingar som är igensatta av insekter, eftersom det kan leda till en farlig flashback.

- Böj dig inte över grillen när du tänder gaslågan, eftersom deflagrering kan uppstå om gas har samlats i eldskålen.

Av samma anledning, tänd aldrig omedelbart igen om lågan slocknar, istället:

- Vrid flamregulatorerna (B) till "Av" för att avbryta gastillförseln.
- Vänta i 3 minuter för att säkerställa att eventuell ackumulerad gas har försvunnit.
- Tänd sedan brännarna igen (se kapitlet "Drift").



### Fara: Gas tränger undan syre

Flytande gas är tyngre än syre. Därför lägger den sig på marken och tränger undan syret på den nivån.

#### Möjliga konsekvenser:

- Kvävning till följd av syrebrist om koncentrationen av gas tillåts stiga i viss utsträckning.

#### Försiktighetsåtgärder:

- Använd uteslutande grillen utomhus i ett väl ventilerat område och ovan mark (dvs inte i områden som är under marknivå).
- Stäng ventilen på gasolflaskan omedelbart efter avslutad användning av grillen.
- Om grillen inte ska användas under en längre tid, stäng av tillförseln från gasolflaskan och förvara på rätt sätt:
  - Montera gasflaskans ventil med lockmutter och säkerhetslock.
  - Förvara inte gasflaskan i rum under marknivå, i eller nära trappor, korridorer eller passager och genomfartsleder mellan byggnader.
  - Förvara alltid gasflaskor stående, även om de är tomma!

## Montering

- Kontrollera att inga delar saknas.
- För att montera grillen behöver du bara en medelstor skruvmejsel.
- Använd endast verktyg som är intakta och lämpliga för det aktuella jobbet. Slitna eller olämpliga verktyg gör att du inte kan dra åt bultarna tillräckligt, men kommer att skada dem så mycket att de inte längre kan vridas.
- Montera alltid alla anslutningselement (skruvar, muttrar, bultar, etc.) enligt bilderna. Om du tappat bort ett anslutningselement, byt ut det mot en lämplig del.
- Se till att följa instruktionerna i angiven ordning!



Illustrationerna som visar monteringsstegen finns i slutet av denna manual.

## Anslutning och urkoppling av gasflaskan

### Delar och verktyg som behövs

- Gascylinder  
Gemensam uteplatsgasflaska, fyllvikt 4,5 eller 7 kg. Dessa finns i gör-det-själv-butiker eller från leverantörer av flytande gas.

Följande delar måste överensstämma med de CE-standarder som gäller i det land till vilket de har levererats:

- Gasslang  
Godkänd slang med tillräcklig längd (max. 1,5 m) för att möjliggöra knäckfri montering.
- Tryckregulator  
Förinställd och godkänd tryckregulator, max. 1,5 kg/h, arbetstryck 28-30/37mbar, lämplig för den gasflaska som används.

## Anslutning till gasflaska

Observera de olika nationella anslutningsalternativen för flaskor med flytande gas. Olika tryckregulatorer används i enlighet med nationella standarder.

1. Se till att alla brännarreglage är i läge AV. Tryck kontrollrattarna inåt och vrid dem medurs.
2. Bestäm regulatortypen och anslut regulatorn till gasflaskan enligt instruktionerna.
3. Se till att gasflaskans ventil eller tryckregulatorspaken är stängd.

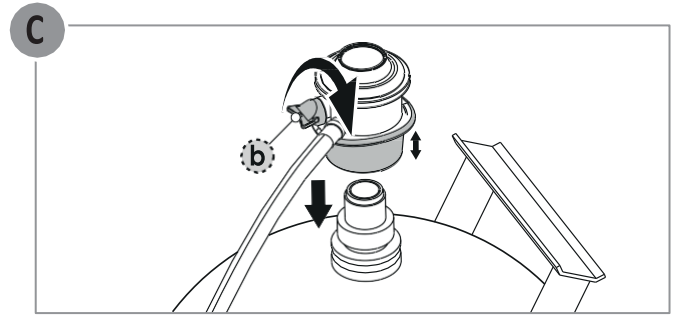
**A.** Anslutning av tryckregulatorn med en vänstergänga. Skruva fast tryckregulatorn till anslutningen till gasflaskan. För att göra detta, vrid tryckregulatorns kopplingsmutter moturs. Vrid ventilen (a) på gasflaskan moturs så att gasen rinner ut och du kan starta grillen.

**B.** Anslutning av tryckregulatorn med en spak.

Vrid tryckregulatorspaken (b) medurs till läget AV. Tryck på tryckregulatorn på gasflaskans ventil tills tryckregulatorn uppenbarligen greppar. Vrid spaken moturs till ON så att gasen rinner ut och du kan starta grillen.

**C.** Anslutning av tryckregulatorn med en krage.

Se till att tryckregulatorspaken (b) är i läge AV. Skjut upp tryckregulatorns krage och bibehåll trycket. Tryck tryckregulatorn på gasflaskans ventil och skjut ner kragen för att stänga den. Om tryckregulatorn inte kopplas in, upprepa proceduren.



Se till att slangen inte är böjd eller vriden på något sätt och att den inte är spänd.

### Ta bort tryckregulatorn:

1. Se till att gasflaskans ventil (a) eller tryckregulatorspaken (b) är stängd.
2. Vrid på alla brännarreglage så att den återstående gasen i systemet kan strömma ut.
3. Ta nu bort tryckregulatorn i motsatt ordning som beskrivits ovan.

### Läckagekontroll:

Öppna gasflaskans ventil (a) eller tryckregulatorspaken (b) och använd en standardläckageindikator för att kontrollera om alla anslutningar på gassystemet och anslutningen mellan gasflaskan och tryckregulatorn är täta. För detta ändamål, fukta alla gasanslutningar med en standardläckageindikator eller tvålatten (80 % vatten, 20 % flytande tvål). Bubblor bildas vid läckor i lederna. Beakta anvisningarna för läckageindikatorn!

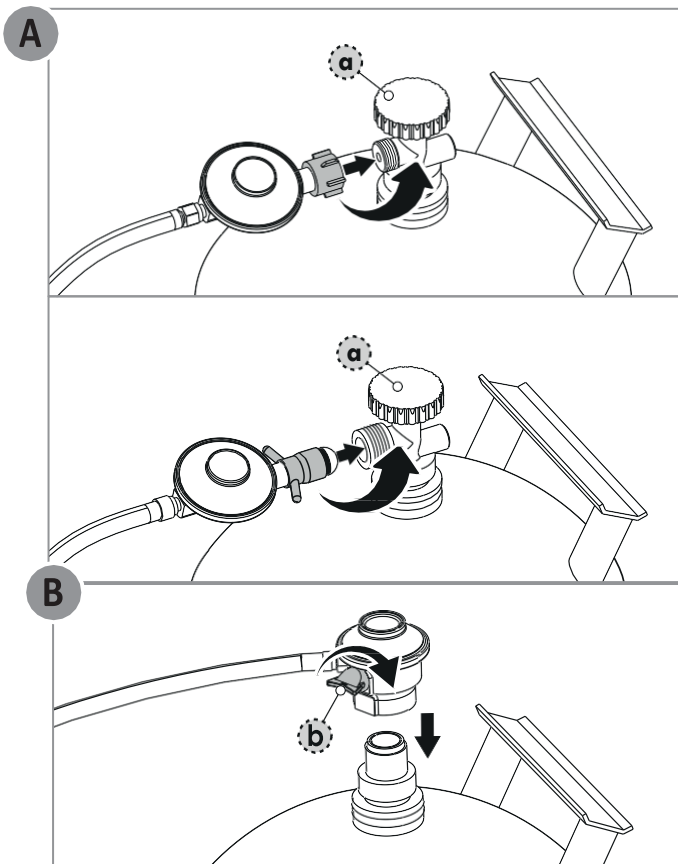
Om en läcka upptäcks, stäng omedelbart gasflaskans ventil (a) eller tryckregulatorspaken (b) och dra åt den lösa anslutningen eller byt ut den läckande delen.

Upprepa läckagetestet.

**⚠ FARA!** Sök aldrig efter gasläckor med öppen låga. Innan du kontrollerar för läckor, se till att inga gnistor eller öppna lågor kan bildas i närheten. Gnistor eller lågor kan orsaka en explosion som kan leda till allvarliga eller till och med dödliga skador eller materiella skador.

### Innan användning

- Välj ett lämpligt, helst vindskyddat område för att ställa upp grillen. Se till att ...
  - det inte finns, och kommer inte att finnas, några brandfarliga material eller ämnen i närheten. Minsta avstånd till brandfarliga material eller ämnen måste vara 2 m ovanför och 1 m från sidan av grillen; avståndet till flammhärda material eller ämnen ska vara minst 0,25 m.
  - grillen står stadigt på en tillräckligt stor yta. Den får inte flyttas under drift.
- Kokön är designad för att hålla en gasflaska inuti!
  - Lagg aldrig gasflaskan på sidan.
  - Böj inte gasslangen och lägg inte spänning på den.
- Se till att tätningen i tryckregulatorn är närvarande och intakt. Använd inga ytterligare tätningar.
- Se till att det inte finns några antändningskällor inom en radie på 5 m vid anslutning av gasflaskan. Viktig anmärkning: för att undvika risken för gnistor, tänd inte öppna lågor, rök inte och aktivera inte strömbrytarna på elektriska apparater (apparater, lampor, dörrklockor, etc.).





## Användande



### Varning

Observera hyllornas maximala belastning (se Tekniska data). Tyngre last kan skada grillen.

## Tända sidobrännaren



### Varning: Gas deflagration vid tändning

Om oförbränd gas ansamlas kan deflagrering uppstå vid antändning.

#### Möjlig konsekvens:

- This can cause severe injury or damage.

#### Försiktighetsåtgärd:

- Luta dig inte över grillen när du tänder gaslågan.
- Tänd aldrig omedelbart om lågan slocknar, istället:
  - Vrid flamregulatorerna (B) till "Av" för att avbryta gastillförseln.
  - Vänta i 3 minuter för att säkerställa att eventuell ackumulerad gas har försvunnit.
  - Tänd sedan brännarna igen.

1. Öppna locket på grillenheten.

Håll största möjliga avstånd från grillenheten under de kommande stegen.

2. Tryck och vrid respektive flamregulator (B) moturs till HÖG ("stor låga"). Håll den intryckt i detta läge. I denna process kommer du att höra ett knäckande ljud orsakat av Piezo-tändningen och brännaren tänds.

3. Låt grillen värmas upp med full effekt.

Första gången du använder grillen, värm i cirka 20 minuter utan mat så att den livsmedelssäkra beläggningen härdar (som med alla ugnar).

## Stäng av grillen

1. Stäng cylinderventilen.
2. Tryck och vrid alla flamregulatorer (B) medurs till "OFF".
3. Vänta tills alla delar har svalnat och rengör sedan eventuella smutsiga komponenter (se kapitlet "Rengöring").
4. Stäng locket på grillenheten.
5. Om grillen inte ska användas under en längre tid:
  - Koppla loss gasflaskan (se kapitlet "Koppla loss gasflaskan").
  - Förvara grillen på en torr plats. Grillen måste täckas med ett rekommenderat grillskydd.

## Rengöring

### Grill



### Varning: Risk för brännskador vid rengöring av den varma grillen

Vissa delar av grillen kan bli mycket varma. Låt grillen svalna tillräckligt innan du rengör den. Använd skyddshandskar.



### Varning: tändstiftet på brännaren kan böjas

Tändstiften på brännaren kan böjas eller knäppas av under rengöring av brännarområdena. I detta fall kommer gasen i brännaren inte att antändas. Av denna anledning, rengör områdena runt brännarna med särskild omsorg.

För att du ska kunna njuta av din grill i många år bör du alltid rengöra den efter användning – efter att ha sett till att alla delar har svalnat – med diskmedel, borste och trasa. Det kommer att bli mycket svårare att göra detta senare, när smutsen har torkat.

## Gas system

Gasutloppsmunstyckena på justerarna (under frontpanelen) kan vid behov rengöras med en stift.



### Varning: Risk för brand och explosion

Alla andra delar genom vilka gas överförs bör endast rengöras av en expert.  
Demontera aldrig justeringselementen!

## Underhåll

Grillen är underhållsfri. Ändå bör du kontrollera det med jämna mellanrum. Intervallerna beror på hur ofta den används och de miljöförhållanden som den utsätts för.

## Grill

- Inspektera brännarna för smuts och blockering. Se särskilt till att båda luftintagen på sidan av varje brännarrör är fria. Rengör vid behov inloppen, t.ex. med en piprensare.
- En förorenad brännare kan försämra grillens prestanda och leda till en farlig antändning av gas utanför brännaren.
- Se till att grillens alla delar är tillgängliga och monterade (visuell kontroll).
- Kontrollera att alla anslutningar finns och är ordentligt fastsatta. Dra åt vid behov.

## Felsökning

Problem	Möjlig orsak	Lösning
Grillen går inte att tända	<ol style="list-style-type: none"><li>1. Gasflaskans ventil är stängd.</li><li>2. Gasnivån i gasflaskan är låg.</li><li>3. "Match lighting" kan vara nödvändigt.</li><li>4. Anslutningar till tändaren är lösa.</li><li>5. Elektroder kan vara blöta.</li><li>6. Skräp blockerar elektroderna.</li><li>7. Ingen gnista syns vid tändningsspetsen.</li></ol>	<ol style="list-style-type: none"><li>1. Slå PÅ gasflaskans ventil.</li><li>2. Byt ut gasflaskan.</li><li>3. "Match lighting" ljusgrill enligt instruktionerna i denna manual.</li><li>4. Återanslut eller byt ut kablarna till tändaren.</li><li>5. Torka elektroderna med torr trasa.</li><li>6. Rengör elektroderna med alkohol och försök igen.</li><li>7. Byt ut tändaren.</li></ol>
Lågan förblir inte tänd	<ol style="list-style-type: none"><li>1. Gasventilen är stängd.</li><li>2. Gasnivån är låg.</li><li>3. Brännaren är inte korrekt installerad eller smutsig.</li></ol>	<ol style="list-style-type: none"><li>1. Slå PÅ gasventilen.</li><li>2. Byt ut gasflaskan.</li><li>3. Sätt tillbaka brännaren ordentligt och rensa bort skräp.</li></ol>
Lågan är låg, oregelbunden eller bullrig	<ol style="list-style-type: none"><li>1. Gasnivån i gasflaskan är låg.</li><li>2. Brännarportarna kan vara igensatta.</li><li>3. Gastillförseln kan vara böjd eller krökt.</li><li>4. Apparaten kan stå i ett område som är för blåsig.</li><li>5. Det finns hinder som fettskräp eller insekter i luftintag.</li></ol>	<ol style="list-style-type: none"><li>1. Byt ut gasflaskan.</li><li>2. Om endast en brännare påverkas, kontrollera och rengör brännarportarna.</li><li>3. Räta ut gastillförselslangen.</li><li>4. Vänta tills vinden avtar för att fortsätta.</li><li>5. Rengör brännarens luftintag från hinder.</li></ol>

## Gas system

Gassystemet måste kontrolleras varje gång en gasflaska ansluts (se kapitel "Koppla in och ur gasflaskan").

Vid behov ska slangen bytas ut för att uppfylla de nationella kraven.

## Miljöinformation och åtgärder för avfallshantering

Var noga med renlighet när du hanterar grillen. För att göra dig av med grillen på rätt sätt ska du plocka isär den i dess enskilda delar. Återvinn metall- och plastkomponenterna.

Observera de lokala bestämmelserna.

## Tekniska specificationer

Godkännanden:

SGS	Testnummer C€ - 2531, PIN No. 2531DL-0055
-----	---

### Grill

Produktkategori	I <sub>3+(28-30/37)</sub> i enlighet med DIN EN 484
Vikt	Dubbel sidobrännare 11 kg
Dimensioner (L x H x B)	Dubbel sidobrännare ca. 32 x 61 x 29 cm
Grillyta (L x B)	Dubbel sidobrännare ca. 24 x 45cm

### Gas system

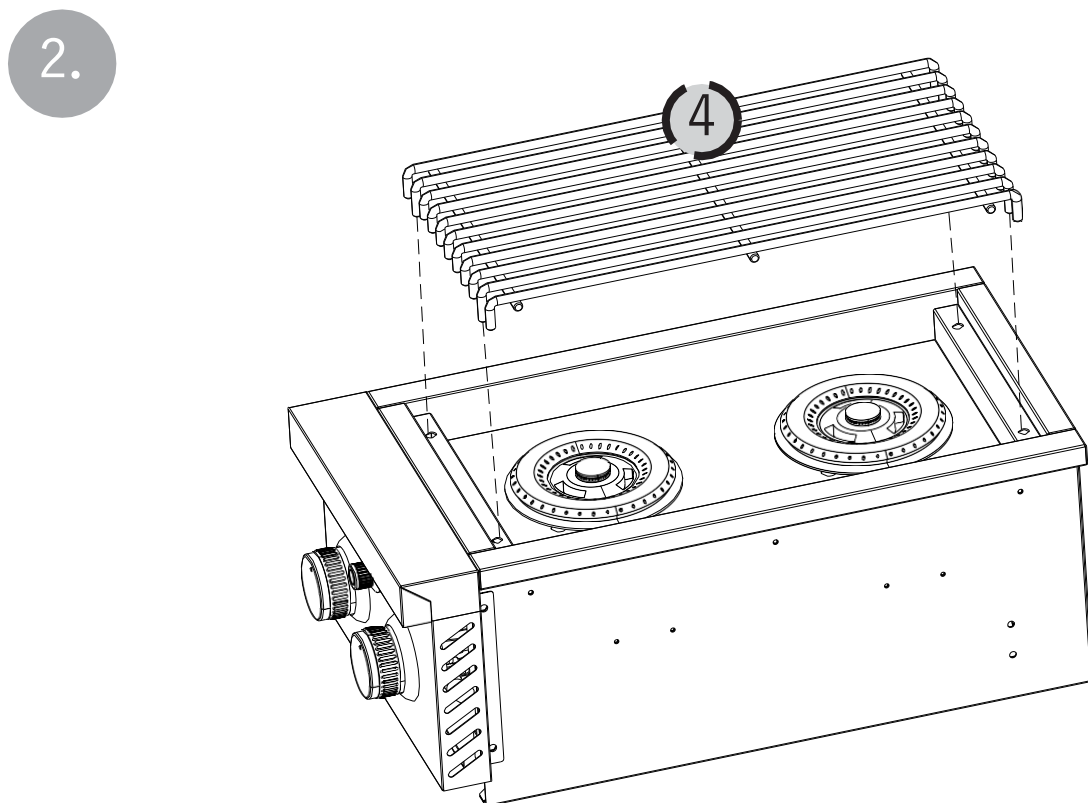
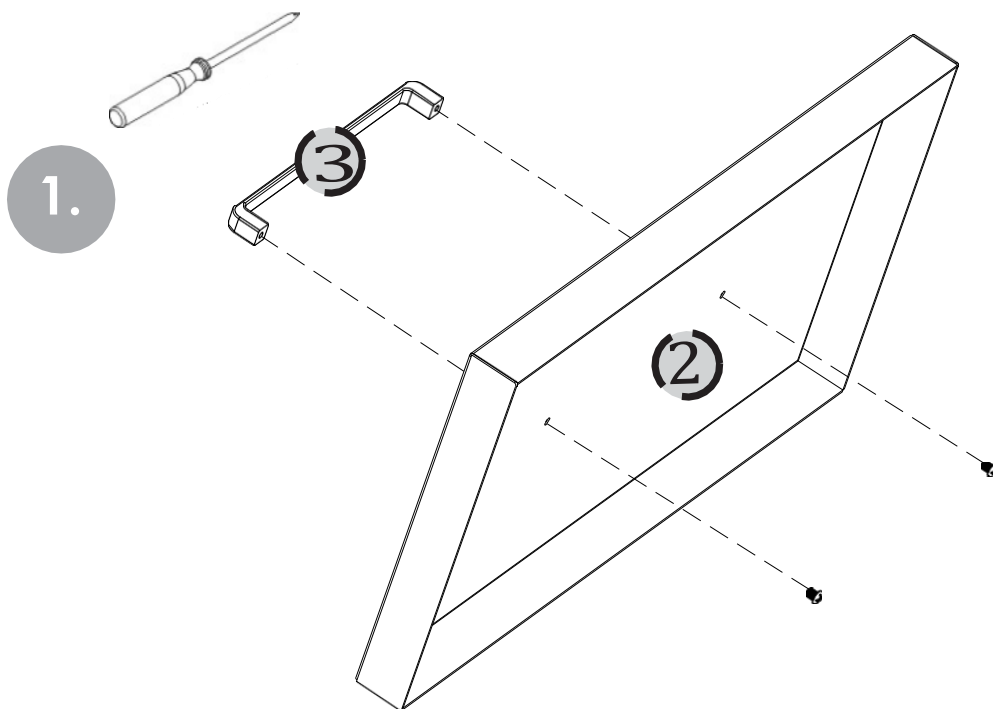
Gastyp	I3B/P
Tryckregulator	Nuvarande och C€-godkända tryck
Flödes hastighet	regulator max. 1.5 kg/h
Tryck vid användning	28-30/37/50 mbar
Gasflaska	Standard gasflaska med vikt på 4,5 or 7 kg
Gaslang	C€-godkänd slang(max 1.2 m)
Flamreglering	Steglöst justerbar 0 - max.
Tändningstyp	Pulsantändning

Nr.	Modell	Värmeeffekt	Munstycksstorlek (mm)		
			Brännare		
			29mbar	37mbar	50mbar
1	HUI-SSIDE2B/HUI-SSIDE2B-GER	3.5KW*2=7.0KW(512 g/h)	0.93	0.87	0.81

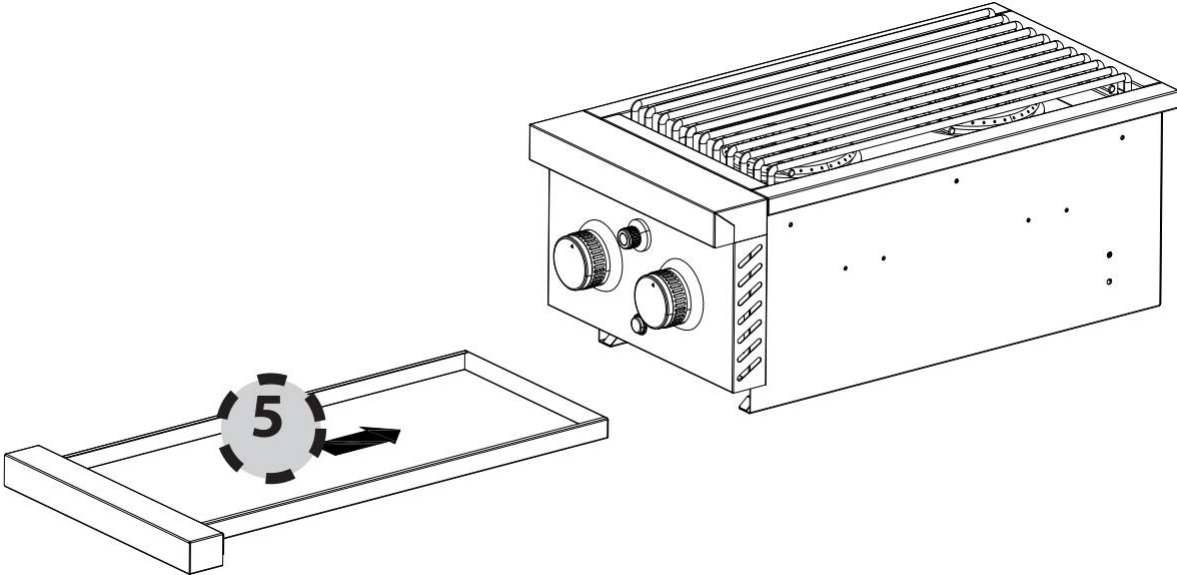
Serie nr. \_\_\_\_\_

<b>GAS BARBECUE</b>					
<b>SV</b>					
Produktbeteckning	Dubbel sidobrännare				
Modellnr.	HUI-SSIDE2B/HUI-SSIDE2B-GER				
Total nominell värmeeffekt	3.5KW x 2=7.0KW(512 g/h)				
Strömförsörjning	1.5 V batteri				
Serienummer					
Produktkategori	I <sub>3+(28-30/37)</sub>	I <sub>3B/P(30)</sub> ✓	I <sub>3B/P(50)</sub>	I <sub>3B/P(37)</sub>	
Typ av gas	Butan	Propan	Butan, Propan eller en blandning av dessa		
Gasträck	28-30 mbar	37 mbar	28-30 mbar	50 mbar	37 mbar
Destinationsländer	BE, FR, IT, LU, IE, GB, GR, PT, ES, CY, CZ, LT, SK, CH, SI and LV	LU, NL, DK, FI, SE, CY, CZ, EE, LT, MT, SK, SI, BG, IS, NO, TR, HR, RO, IT, HU and LV.	DE, AT, CH, SK, LU,	PL	
<b>Endast för utomhusbruk</b>					
<b>Läs bruksanvisningen noggrant innan du använder grillen</b>					
<b>WARNING: åtkomliga delar kan vara mycket varma. Håll barn på säkert avstånd.</b>					
<b>Lindström &amp; Sondén AB</b>					
Havsbadsvägen 1, 262 63 Ängelholm, Sweden			Pinkod: 2531DL-0055		
Made in China					

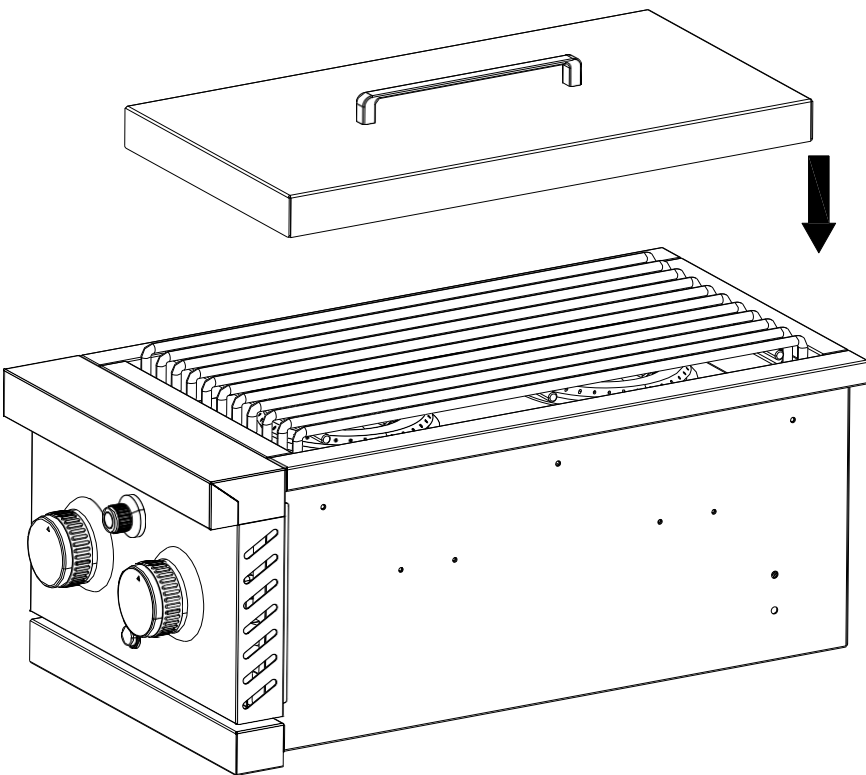
# Montering

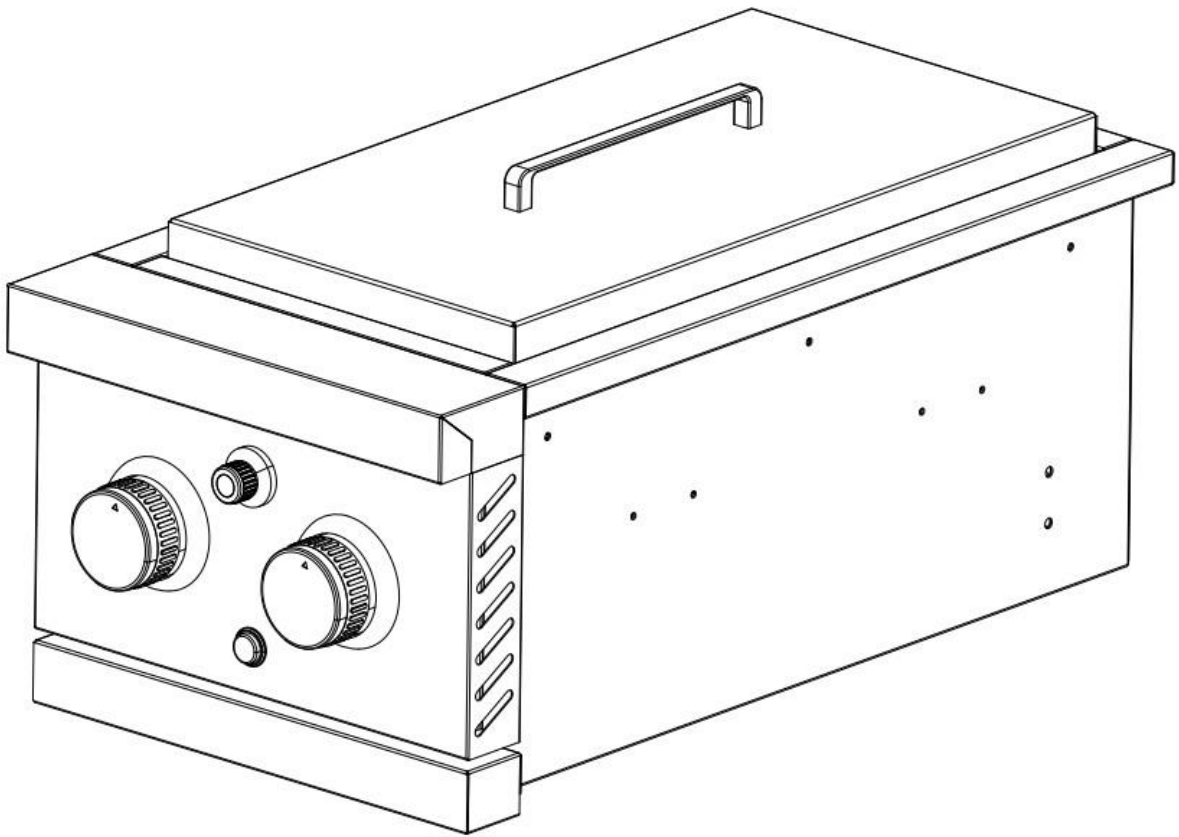


3.



4.





# Varningar för elsäkerhet och installation

Förlängningssladden får användas om försiktighet iakttas vid användningen. Om en förlängningssladd används:

- Den markerade elektriska märkningen för sladdsetet eller förlängningssladden bör vara minst lika hög som apparatens elektriska märkvärde
- Sladden ska placeras så att den inte kommer i kontakt med heta ytor, vassa kanter eller draperar över bänkskivan eller bordsskivan (där den kan dras eller snubblas över oavsiktligt).

Utomhusförlängningssladdar bör användas med produkter som är lämpade för utomhusbruk. De är ytmärkta med suffixbokstäverna "W" eller "W-A" och med en etikett som säger "Lämplig för användning med utomhusapparater".

För att skydda mot elektriska stötar bör nätsladden och kontakten hållas torra och borta från marken.

Rengör inte denna produkt med vattenspray; spraya inte rengöringsmedel i området för lampsockeln.

Bensin, tändvätska eller andra brandfarliga vätskor och ångor bör aldrig förvaras i området för denna apparat eller någon annan apparat. Före installation eller service, koppla bort strömförsörjningen till arbetsområdet genom att ta bort säkringen, "utlösa" strömbrytaren eller koppla ur enheten.

OBS: Använd en 13A säkring med jordfelsbrytare.

OBS: Denna grill använder en "Transformator" för att förse LED-lamporna med ström. Detta diagram visar anslutningen till transformatorn.



Håll nätsladd och bränsleslang borta från uppvärmda ytor, vassa kanter och droppande fett.

Se till att din apparat är korrekt installerad och jordad av en kvalificerad tekniker i enlighet med tillämpliga riktlinjer. För att garantera den här apparatens elektriska säkerhet måste det finnas kontinuitet mellan apparaten och ett effektivt jordningssystem. Det är absolut nödvändigt att detta grundläggande säkerhetskrav uppfylls. Tillverkaren kan inte hållas ansvarig för skador som orsakats av bristen eller otillräckligheten hos ett effektivt jordningssystem.

Använd inte någon apparat med en skadad nätsladd eller strömkontakt, och använd inte någon apparat efter att apparaten inte fungerar eller har skadats på något sätt. Om detta skulle inträffa, lämna tillbaka apparaten till närmaste auktoriserade serviceverkstad för undersökning, reparation eller justering.

## Installation av grillen i ett utekök

**Kontrollera alltid med lokala byggregler, brandinspektörer, grannskapsföreningar och lokala entreprenörer innan du bygger ett utekök. Tillstånd kan krävas för att bygga ett utekök.**



### Varning!

Uteköket ska vara gjord av obrännbart material. Om den är brännbar krävs att man använder en isolerad jacka. Minsta avstånd till intilliggande brännbar konstruktion är 90 cm från sidorna och 90 cm bakifrån.

- Innan du installerar en apparat i en utrymme, se till att öppningen inte är större än apparatens yttre ram. Apparaten ska vila på ramens kant. Var noga uppmärksam på platsen för gasledningen. Den ska dras bort från värmekällor, skarpa kanter och ska böjas så lite som möjligt.
- Kontrollera att gasledningens anslutning är tillgänglig när apparaten är installerad.
- Om gasledningens anslutning inte är lättillgänglig när apparaten är installerad, stödja apparaten ovanför bänknivån och anslut gasledningen till apparaten. När gasanslutningen är gjord, skjut in apparaten i uttaget. Om gasledningens anslutning är tillgänglig när apparaten är installerad, skjut in apparaten i urtaget och anslut sedan gasledningen. Var mycket noga med att inte knäcka gasledningen när du sänker ner apparaten i öppningen.
- Håll fingrarna borta från platsen där apparaten kommer att stödjas på bänken. Dina fingrar kan fastna och allvarliga skador kan uppstå.
- Kontrollera att apparaten står plant och stöds runt hela ytterkanten. Om apparaten inte står plant eller är instabil, använd obrännbara shims under grillen för att stabilisera den.
- Se till att utföra läckagetest-proceduren som beskrivs i denna handbok.

## Inbyggda installationer



### Varning!

Inbyggbara grillar är avsedda antingen för installation omgiven av obrännbart material eller för installation omgiven av brännbart material när den installeras med en isolerande mantel.

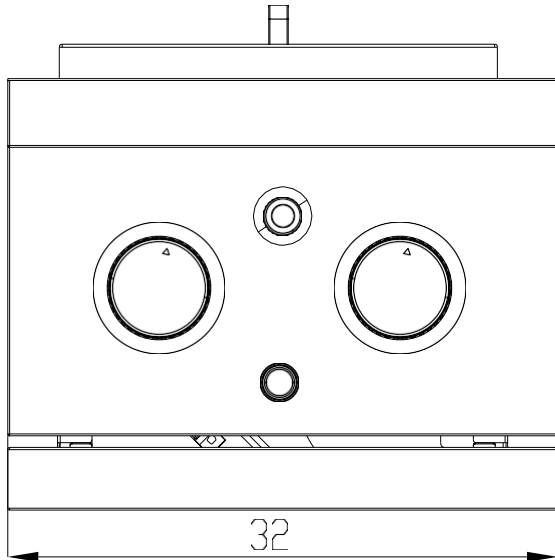
För icke-brännbara applikationer faller grillen in i öppningen som visas på utskärningsdetaljritningen (se Utskärningsmått för inbyggda grillar på sidan 14) och hänger från dess bänkskiva. En hylla behövs inte för att stödja den från botten. Vid användning av den isolerade jackan i en brännbar inneslutning måste jackan stödjas från botten av en avsats på varje sida eller ett heltäckande under jackan. Var särskilt uppmärksam på instruktionerna som visas för anslutning av gasledningen. Kapslingen bör ha ventilationshål för att förhindra gasbildning i händelse av läckage. Däckslisterna och disken ska vara plana och jämna.

## Överliggande skydd och avlägsnande av avgaser

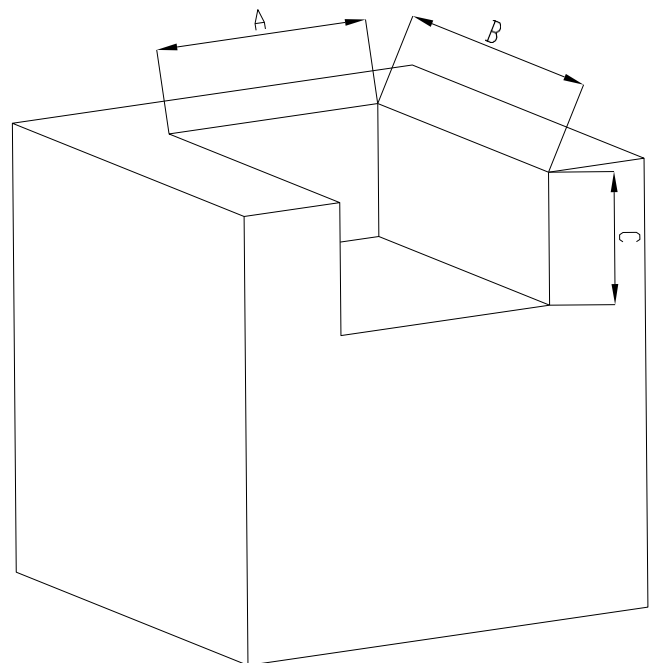
Installera inte denna apparat under någon oskyddad överliggande brännbar konstruktion. Om den installeras under någon brännbar konstruktion måste tillagningsytan över grillen täckas med en flätkåpa. Huven måste ge 8 cm till 15 cm överhäng på alla utsatta sidor. Utsugskåpan ska ge minst 2040 m<sup>3</sup>/h (1200 cfm) för korrekt frånluftventilation.



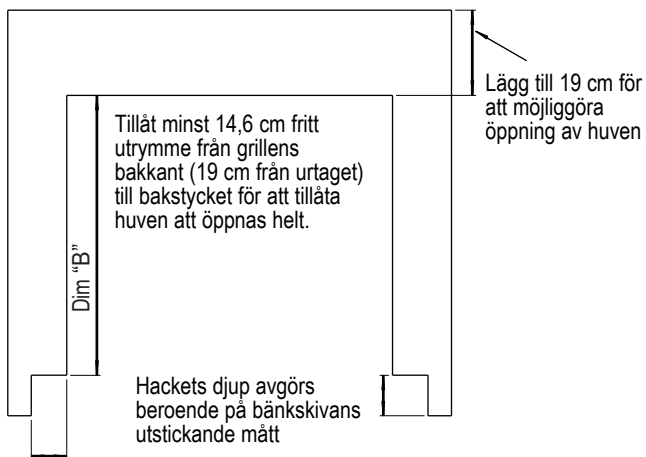
## Utskärningsmått för inbyggda grillar



Modell	Mått för inbyggt utrymme (cm)		
	A	B	C(min.)
HUI-SSIDE2B/ HUI-SSIDE2B-GER	27	54.5	23.5



**Varning:** Ytterligare nödvändiga detaljer om grillen och sidobrännaren



1,5 cm Grillar och sidobrännare

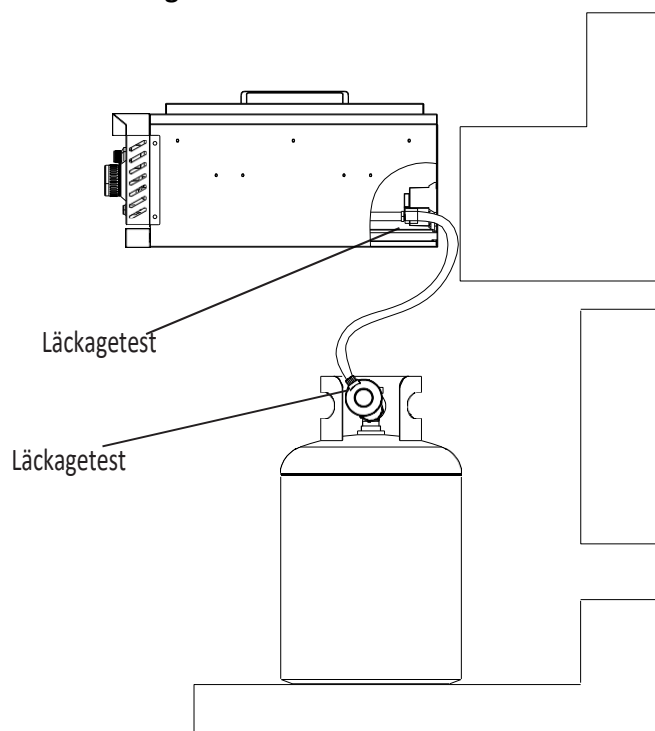
Detaljer för bänkskivans utstickande del



**Varning:** Ha alltid alla grillar och tillbehör till hands när du bygger ett utekök för att säkerställa att den sitter rätt.

## Läckagetest

1. Förbered en läckagetestlösning av tvålvatten genom att blanda i en sprayflaska med en del flytande tvål till tre delar vatten
2. Bekräfta att alla reglage är i AV-läget.
3. Slå PÅ huvudgasventilen.
4. Applicera läckagetestlösning genom att spraya på rörskarvarna, kopplingarna och slangen.
5. En gasläcka upptäcks om;
  - a) Det finns en svag gaslukt och/eller...
  - b) Bubblor som växer upp på någon av anslutningspunkterna och/eller slangarna, försök INTE att tända grillen och stäng OMEDELBART av gastillförselventilen.
6. Om det finns en gasläcka, ring en kvalificerad servicetekniker. ANVÄND INTE grillen förrän läckan är åtgärdad.



Gasanslutning för flaska

**Lindström & Sondén AB**  
Havsbadsvägen 1, 262 63 Ängelholm, Sverige

**Kundservice:** [info@myoutdoorkitchen.se](mailto:info@myoutdoorkitchen.se)