

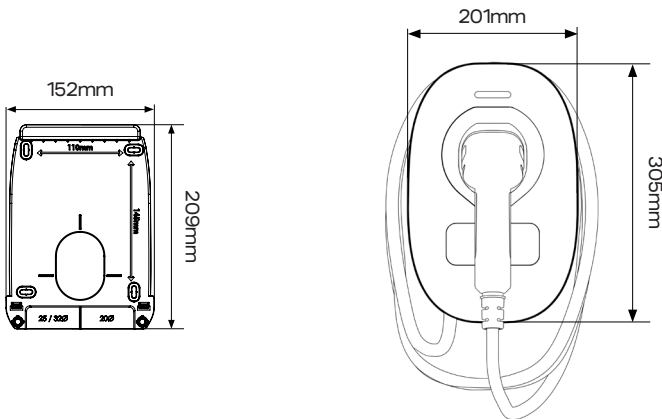
EV CHARGER

7.4kW Tethered

- **Auto Solar Charging** allowing you to utilise excess solar power to charge your EV, maximising the benefits of clean, renewable energy while reducing your energy bills.
- **Tariff Sense** - Our energy management feature connects to any UK tariff, giving real-time insights and control over charging costs.
- Models with Models with Wi-Fi/LAN, Wi-Fi/LAN/4G
- Fully compliant with The Electric Vehicles (Smart Charge Points) Regulations 2021, including Schedule 1
- Full Smart functionality via Sync Energy App and OCPP 1.6J connectivity
- Dynamic charging - up to 7.4kW (32A)
- No earth rod required - Integrated Open Pen Detection Device (OPDD) - IET01:2024
- Integrated RDC-PD with 30ma AC type A and 6mA DC detection. Compliant for BS EN62955 and BS EN 61008
- OCPP 1.6J connectivity - free lifetime over-the-air updates
- 7.5m of cable and Type 2 connector
- Socketed 7.4 & 22kW versions also available



PART NO.	DESCRIPTION	SOCKET TYPE	MAX OUTPUT (kW)	MAX OUTPUT (A)	INPUT VOLTAGE
EVWC2T7G-03	Single Phase 7.4KW / WI-FI / LAN	Tethered Type 2 Plug 7.5m Cable	7.4kW MODE 3	32A	220-240V
EVWC2T7GG-03	Single Phase 7.4KW / WI-FI / LAN / 4G	Tethered Type 2 Plug 7.5m Cable	7.4kW MODE 3	32A	220-240V



ELECTRICAL SPECIFICATIONS

MAXIMUM CHARGE CURRENT	Configurable, 6-32A	LOAD BALANCING	Supplied with Load Management Kit
INPUT FREQUENCY	50-60hz	OVERLOAD AND FAULT PROTECTION	Over current and over voltage protection
PEN FAULT	Yes, Integrated OPDD Earth Disconnection compliant for IET01:2024 and BS7671 AMD 2	METER ACCURACY	2% Class C equivalent internal meter with option for connection to external RS485 MDBUS Meter
RCD PROTECTION	Integrated RDC-DD with 30ma AC type A and 6mA DC detection. Compliant for BS EN62955 and BS EN 61008.	TERMINALS	Colour coded Leaver terminals - 4-16mm ²
ELECTRICAL CLASS	Class 1 electronics with insulated Class 2 (II) housing	INDICATOR	RGB LED and Buzzer
CONSUMER UNIT REQUIREMENTS	40A MCB OR 30mA Type A RCBO (Dependent on cable type &/OR Route)	INDICATOR MODES	BLUE – Standby, FLASHING BLUE – Preparing, FLASHING GREEN – Finishing, SCROLLING GREEN – Charging, YELLOW – No Network, RED – Error, PURPLE – Balancer Error
CABLE MANAGEMENT	Built-in cable wrap & Gun holster	ANTI-TAMPER DETECTION	2 Layer Protection, Bluetooth to Bluetooth commissioning

OPERATING CONDITIONS & CONSTRUCTION

OPERATING	-25 to +55°C	HOUSING	UV Stabilised Polycarbonate
IP RATING	IP65	COLOUR	Base and Body RAL 9005 (Black) Trim RAL 9006 (Anthracite Grey) Optional Coloured Trims available as accessories
IK RATING	IK10	DIMENSIONS	305 (H) x 201 (W) x 124 (D)
MOUNTING	First fix bracket, 4 point with horizontal and vertical adjustments. 110mm H x 145mm W fixing centres		

CONNECTIVITY & ACCESSORIES

SOC MODULE	AI ESP32-S SOC	SOFTWARE & FIRMWARE UPDATE	Over-the-air
WI-FI & ETHERNET	2.4Ghz 802.11 B/G/N & RJ45	STANDARDS & APPROVALS	IEC61851-1, IEC61439-7, IEC 62955, IC 61851-21-2, BS EN62196, EN301 511, EN 301 908-1/2/13, EN 301 489-3, EN 300 330, EMC COMPLIANT, CE, UKCA, The Electrical Vehicles (Smart Charge Points) Regulations 2021 including schedule 1
WI-FI SECURITY	WPA/WPA2/WPA2-ENTERPRISE/WPS	SUPPLIED ACCESSORIES	5 x Assembly Lid Bolts, 1 x Blanking Plug and 1 x 25mm Compression Gland, Cord Grip and 2 x Cord Grip Assembly Screws, 1 x RFID Key Fob (EVWC2S7GGR ONLY)*
BLUETOOTH	4.2 BR/EDR and BLE	ACCESSORIES	*Additional Key Fobs can be ordered using the code EVXRFDIFOB-01 Single Charger Stand - (EVASTAND12S) Twin Charger Stand - (EVASTAND12T) Charging Cables - Various Coloured Trims - Shown below
CONNECTION PROTOCOL	OCPP 1.6J		
4G DATA	Model specific 3 years included when used with Sync Energy (on the included package). Top-up online to continue service after 3 years.		
APP	Powered by Sync Energy		

