



Technical Data

Round Pin Socket Outlets

Brief product description:

The BG Nexus Metal range has a sleek and slim profile with softly rounded edges that portrays a premium look, and is available in a wide range of finishes to cater for all tastes.

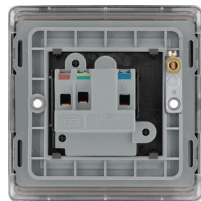
Features:

- Sleek and slim profile with softly rounded edges
- Power socket for round pin plugs
- Fixed integrated plastic gasket to protect metal edges from moisture
- Colour matched fixing screws
- Angled in-line terminals with backed out screws for fast installation
- Easy to install, supplied with fixing screws and installation instructions

Product Images



NBN28B



NBS28G



NFB28B



NPC28W



NBN29B



NBS29G



NFB29B



NPC29W



NBS99G



NBS99W



NPC99W



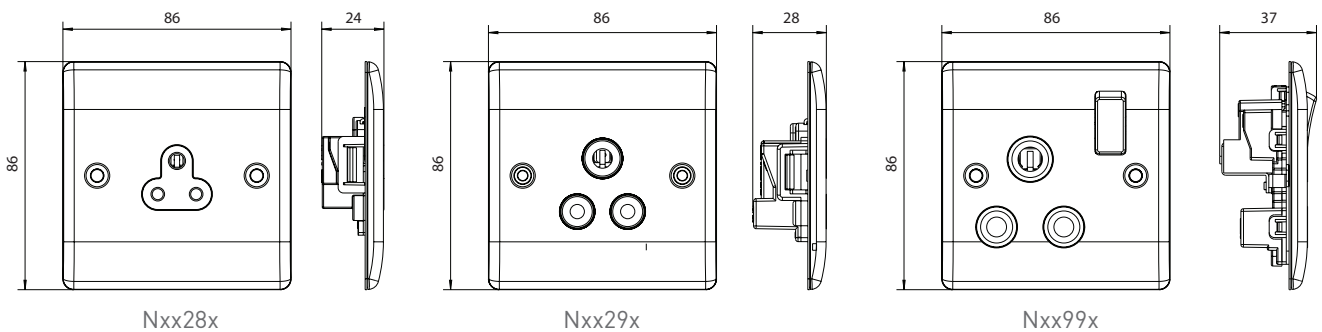
Round Pin Socket Outlets

Technical Specifications

Standard(s)	BS 546
Voltage	250V AC
Terminal Capacity	4 x 1.0mm ² 3 x 1.5mm ² , 1 x 4.0mm ²
RoHS Directive	Yes
WEEE Directive	Yes
Mounting Box Depth (Min)	25mm
Fixing Centres	60.3mm



Line Diagrams



Packaging Information

Cat No.	Description	Packaging Type			Pack Quantity			Barcode		
		Product	Inner Box	Outer Box	Each	Inner Box	Outer Box	Individual	Inner Box	Outer Box
NBN28B	2A RND PIN SKT - BN	Bag-Euro Module	-	-	1	-	-	5050765023214	-	-
NBS28G	2A RND PIN SKT - BS	Eco Blister	Printed Box	Printed Box	1	5	50	5050765018906	5050765019279	5050765019644
NFB28B	2A RND PIN SKT - FB	Bag-Euro Module	-	-	1	-	-	5050765244800	-	-
NPC28W	2A RND PIN SKT - PC	Bag-Euro Module	-	-	1	-	-	5050765020015	-	-
NBN29B	5A RND PIN SKT - BN	Eco Blister	Printed Box	Printed Box	1	5	50	5050765023221	5050765023597	5050765023962
NBS29G	5A RND PIN SKT - BS	Eco Blister	Printed Box	Printed Box	1	5	50	5050765018913	5050765019286	5050765019651
NFB29B	5A RND PIN SKT - FB	Eco Blister	Printed Box	Printed Box	1	5	50	5050765241465	5050765241472	5050765241489
NPC29W	5A RND PIN SKT - PC	Eco Blister	Printed Box	Printed Box	1	5	50	5050765020022	5050765020398	5050765020763
NBS99G	15A RND PIN SKT - BS	Eco Blister	Printed Box	Printed Box	1	5	50	5050765018920	5050765019293	5050765019668
NBS99W	15A RND PIN SKT - BS	Eco Blister	Printed Box	Printed Box	1	5	50	5050765028486	5050765028493	5050765028509
NPC99W	15A RND PIN SKT - PC	Eco Blister	Printed Box	Printed Box	1	5	50	5050765020039	5050765020404	5050765020770

Colour Reference:

BS = Brushed Steel, BN = Black Nickel, FB = Matt Black, PC = Polished Chrome

Weights & Dimensions

Cat No.	Description	Dimensions (H x W x D) cm				Weight (kg)				CBM (m ³)
		Unpacked Product	Packed Product	Inner Box	Outer Box	Unpacked Product	Packed Product	Inner Box	Outer Box	Outer Box
N**28G	2A ROUND PIN SKT (BLISTER)	8.6 x 8.6 x 2.4	15.3 x 12.0 x 3.2	12.7 X 10.4 X 20.7	22.6 X 26.3 X 53.3	0.100	0.121	0.66	6.98	0.03168
N**28B	5A ROUND PIN SKT (BAG)	8.6 x 8.6 x 2.8	9.0 x 9.2 x 3.3	-	-	0.090	0.098	-	-	-
N**29G	5A ROUND PIN SKT	8.6 x 8.6 x 2.8	15.3 x 12.0 x 3.3	12.7 X 11.7 X 20.7	22.6 x 26.3 x 60.8	0.100	0.121	0.67	7.08	0.03614
N**99G	15A ROUND PIN SKT	8.6 x 8.6 x 3.7	15.3 x 12.0 x 4.2	12.7 X 13.8 X 20.7	22.4 X 28.5 X 64.8	0.143	0.164	0.89	9.23	0.04137

British General Helpline
03300 249 279

Supplied by
Luceco PLC
Stafford Park 1 Telford TF3 3BD ENGLAND

Visit our website at
www.bgelectrical.uk