

Brief Product Description

This range of 2 row consumer units offer a flexible solution for the 18th Edition Wiring Regulations BS7671, giving maximum circuit flexibility for larger houses and the versatility of making it into dual tariff or standard and renewable units.

Available in a number of sizes from 31 - 43 useable ways and supplied with 100A main switch, 100A connector block and SPD MCB, RCBO, RCD, AFDD, SPD and Control Devices can be fitted into the consumer unit depending on the circuit requirements.

Features

- 100A main switch (fitted)
- 100A 2 pole connector block (fitted)
- Type 2 SPD - 1 module (pre-wired)
- Integrated spirit level
- Large rear knockouts (4 rows)
- Optional cable clamp included
- 31 - 43 ways
- 40mm knockouts in sides, top and base
- Backed out and retained terminal screws

Cat No.	Description
CF236MS31	36 Module
CF248MS43	48 Module

Technical Specifications

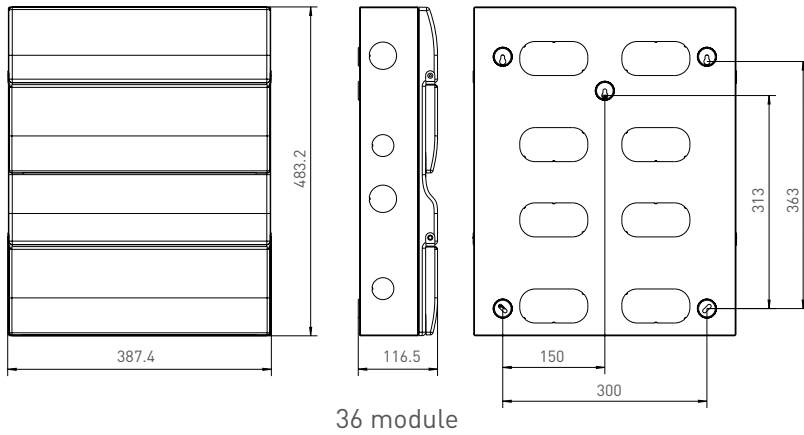
Installation Method	Surface Mounted
Number of Phases	1
Protection Options	MCB, SPD
IP Rating	IP2XC
Colour	White - RAL9016 (Traffic White)
Main Switch Rated Current	100A
Connector Block Rated Current	100A
Rated Operational Voltage	230V
Frequency	50Hz
Rated & Insulation Voltage (Ui)	500V AC
Type of Supply Voltage	AC
Rated Impulse Withstand Voltage (Uimp)	4kV
Rated Conditional Short Circuit Current (Icc)	16kA
Pollution Degree	2
UV Stability	Yes
Main Switch Terminal Capacity	35mm ²
Main Switch Terminal Torque	2.5Nm
Connector Block Terminal Capacity	35mm ²
Connector Block Terminal Torque	2.5Nm
SPD Terminal Capacity	1.5 - 6mm ²
SPD Terminal Torque	L/N 1.2Nm PE 3Nm
Recommended Screwdriver Type	Pozidrive 2
Standards	Consumer Unit-BS/EN61439 Main Switch EN/IEC 60947-3 Connector Block BS/EN 60947-7-1 SPD - IEC/EN 61643-11 EN 61643-11



Product Images

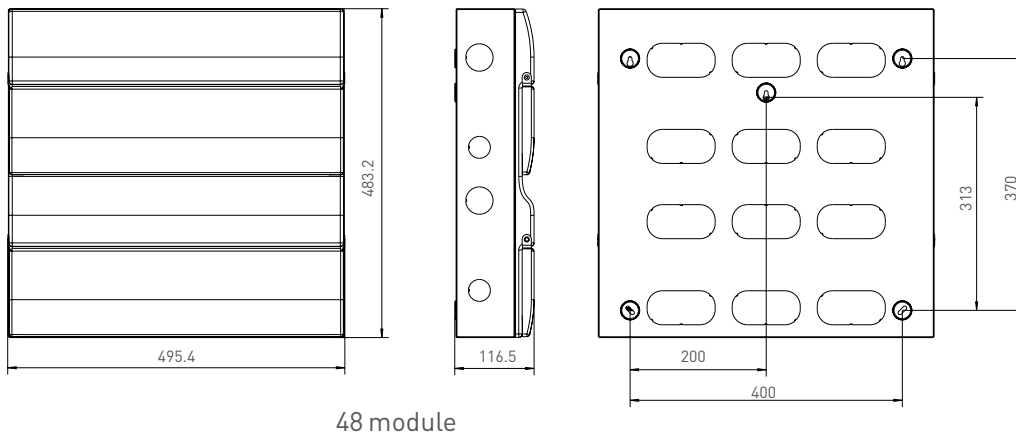


Dimensional Line Drawing



Dimensions of Product (36 module)

Height: 483.2 mm
 Width: 387.4 mm
 Depth: 116.5 mm



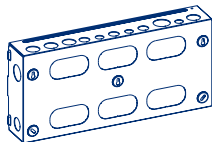
Dimensions of Product (48 module)

Height: 483.2 mm
 Width: 495.4 mm
 Depth: 116.5 mm

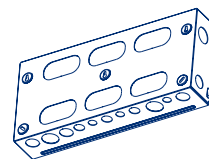
Consumer Unit Knockout Detail per face

Consumer unit	Top	Bottom	Base	Sides
36 Module	2 x 20mm, 1 x 25mm, 3 x 32mm 2 x 40mm	2 x 20mm, 1 x 25mm, 2 x 32mm, 2 x 40mm	8 x 100mm x 50mm	L - 2 x 32mm, 2 x 40mm R - 1 x 32mm, 2 x 40mm
48 Module	3 x 20mm, 3 x 25mm, 3 x 32mm 2 x 40mm	3 x 20mm, 3 x 25mm, 3 x 32mm, 2 x 40mm	12 x 100mm x 50mm	L - 2 x 32mm, 2 x 40mm R - 1 x 32mm, 2 x 40mm

Top



Bottom



Rated Diversity Factor (RDF)/Values of assumed loading

Number of Outgoing	Assumed Loading
2 and 3	0.8
4 and 5	0.7
6 to 9 Inclusive	0.6
10 and Above	0.5

Note: RDF only applies to continuously and simultaneously loading circuits. In principle this means adjacent circuit breakers having a load 'on' time exceeding 30 minutes or where a load not exceeding 30 minutes has an 'off' time less than the 'on' time will need to have the rating diversity factor applied as indicated.

Maintenance

To maintain the high quality appearance of this product BG Electrical recommend the use of a soft damp cloth periodically to clean the surfaces

ONLY CLEAN THE OUTSIDE OF THE CONSUMER UNIT.



Guarantee

BG Electrical Circuit Protection products are guaranteed against faulty materials and workmanship for a period of 10 years from date of delivery.

Products will be repaired or (at BG Electrical's discretion) replacements will be supplied or (at BG Electrical's discretion) a credit note will be issued. This guarantee is subject to BG Electrical's conditions of sale and in particular to the following conditions being met.



1. Notification of any defect is given as soon as reasonably practicable after becoming apparent, and the products then returned to BG Electrical.
2. The products have only been operated under normal operating conditions and have only been subject to normal use.
3. No work (other than normal and proper maintenance) has been carried out to the products without BG Electrical's prior written consent.
4. The products have been assembled, or incorporated into other goods, by a qualified and recognised electrician and only in accordance with any instructions issued by BG Electrical.
5. The defect has not arisen from an item manufactured or supplied by a person other than BG Electrical.

This guarantee does not affect any customer statutory rights.

All components used in a BG Electrical enclosure, must be supplied by BG Electrical.

The use of any other components will negate compliance to BS 61439 and the BG Electrical guarantee. Failure to fit the enclosure in accordance with these instructions will invalidate the guarantee.