

### Brief Product Description

Developed for domestic, commercial, and light industrial applications to allow the safe disconnection and isolation of equipment. Engineered for exterior installations and certified for dust and water ingress to IP65. Lock off feature for safe working isolation.

Ideal for Hot Tubs, Air Source Heat Pumps, an EV Car Chargers.

### Features

- 2 Pole
- Weatherproof to IP65
- Easy cable access via M20/25 knockouts (top & bottom)
- Padlockable handle
- Switch interlocked with lid to prevent opening in ON position
- Earth terminals included
- Captive retained cover screws

### Technical Specifications

Operational Voltage	230V, 400V, 415V, 440V
Rated Voltage (Ue)	440V
Rated Insulation Voltage (V)	690V
Number of Poles	2
Screw Torque (N·m)	1.2
Knockout Postions (Top)	2 x M20-25
Knockout Positions (Bottom)	2 x M20-25
Operational Temperature	-25°C to +70°C
Utilisation Category	AC23A
Construction Material	Plastic (Polycarbonate)
Enclosure Colour	RAL7047
Impact Resistance Rating	IK10
Ingress Protection Rating	IP56
Flame Retardancy	Enclosure - V2, Switch Body - V0
Standards	IEC 60947-3



### AC Isolator Part Codes

Cat No.	Description
CPRSD220	20A Rotary Isolator IP65
CPRSD232	32A Rotary Isolator IP65
CPRSD240	40A Rotary Isolator IP65
CPRSD263	63A Rotary Isolator IP65

### Product Images



CPRSD220

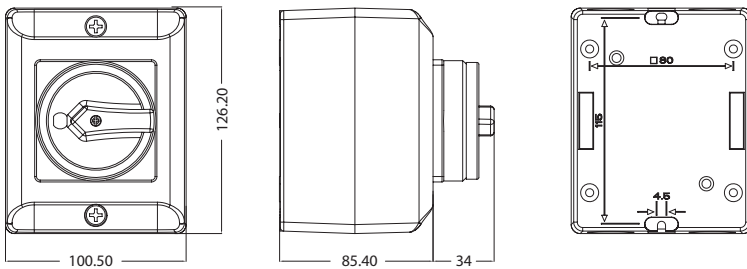
CPRSD232

CPRSD240

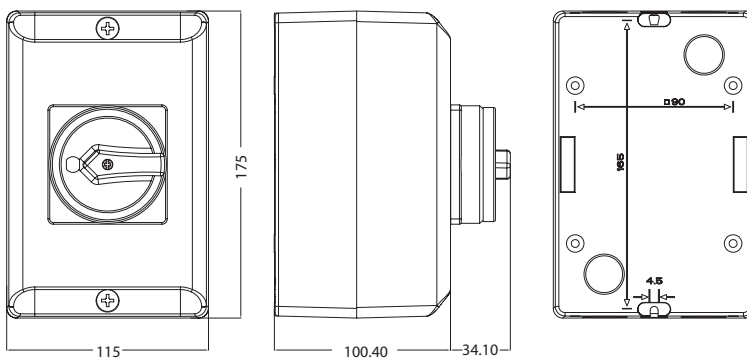
CPRSD263

Product Code	CPRSD220	CPRSD232	CPRSD240	CPRSD263
Rated Short Circuit Current (Icw)	500A	800A	800A	800A
Rated Operating Current (A)	20A	32A	40A	63A
AC-22A	20	32	40	63
AC-23A	20	32	40	63
AC-3	16	25	32	50
AC-23A (kW)	5.5	11	15	22
Rated Power Control (kW)	5.5	11	15	22
Maximum Cable Size (mm <sup>2</sup> )	2.5	6	16	16

### Dimensional Line Drawing



CPRSD220



CPRSD232/CPRSD240/CPRSD263

#### Dimensions of Product

Height: 126.20mm  
Width: 100.50mm  
Depth: 119.40mm (Overall)

#### Dimensions of Product

Height: 175mm  
Width: 115mm  
Depth: 134.50mm (Overall)

### Guarantee

BG Electrical Circuit Protection products are guaranteed against faulty materials and workmanship for a period of 10 years from date of delivery.

Products will be repaired or (at BG Electrical's discretion) replacements will be supplied or (at BG Electrical's discretion) a credit note will be issued. This guarantee is subject to BG Electrical's conditions of sale and in particular to the following conditions being met.

1. Notification of any defect is given as soon as reasonably practicable after becoming apparent, and the products then returned to BG Electrical.
2. The products have only been operated under normal operating conditions and have only been subject to normal use.
3. No work (other than normal and proper maintenance) has been carried out to the products without BG Electrical's prior written consent.
4. The products have been assembled, or incorporated into other goods, by a qualified and recognised electrician and only in accordance with any instructions issued by BG Electrical.
5. The defect has not arisen from an item manufactured or supplied by a person other than BG Electrical.

This guarantee does not affect any customer statutory rights.

All components used in a BG Electrical enclosure, must be supplied by BG Electrical.

The use of any other components will negate compliance to BS 61439 and the BG Electrical guarantee. Failure to fit the enclosure in accordance with these instructions will invalidate the guarantee.

