

Brief Product Description

A compact range of IP20 rated 5-module consumer unit enclosures designed for surface-mounted indoor installations. Manufactured from insulated material, the range provides local circuit protection and isolation for domestic and light commercial use, with variants supplied pre-configured with RCDs, main switch and MCB combinations, as well as an empty enclosure for flexible assembly. All units are suitable for DIN rail mounted devices and comply with relevant British and European standards.

Features

- IP20 rated insulated enclosure for indoor use (non-weatherproof)
- Compact 5 module surface mounted consumer unit
- Available as pre-configured options with RCD, main switch and MCB combinations, or as an empty enclosure
- Hinged cover with secure closure for ease of access and safety
- Supplied with 35mm DIN rail for device installation
- Multiple cable entry knockouts in sides, top and base
- Suitable for domestic and light commercial applications
- Designed for straightforward installation and assembly
- Note: Device configuration (RCD, main switch, MCB quantity or empty) is dependent on part number

Technical Specifications

Installation Method	Surface mounted
Modules	5
Number of Phases	1
Enclosure Rating	IP20
Colour	White
Rated Operational Voltage	230V AC
Supply Frequency	50Hz
Rated Insulation Voltage (Ui)	500V AC
DIN Rail	35mm
Standards	Enclosure: BS EN 62208
	MCB: IEC / EN 60898-1 (where fitted)
	RCD: IEC / EN 61008 (CF5R6P13 & CF5R4P23 only)
	Main Switch: IEC / EN 60947-3 (CF5MP23 only)



Consumer Unit Part Codes

Cat No.	Protection Type	Supplied Devices
CF5E	None	Empty
CF5MP23	Main Switch	1 x 100A Main Switch, 1 x 6A MCB & 1 x 16A MCB
CF5R4P23	RCD Protected	1 x 40A Type A 30mA RCD, 1 x 6A MCB & 1 x 32A MCB
CF5R6P13	RCD Protected	1 x 63A Type A 30mA RCD, 1 x 50A MCB

Product Images



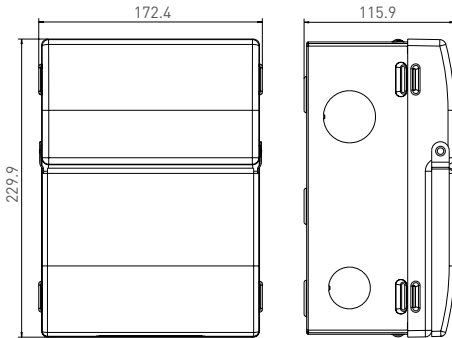
CF5MP23



CF5R4P23



Dimensional Line Drawing



Dimensions

Height: 229.9mm

Width: 172.4mm

Depth: 115.9mm

Rated Diversity Factor (RDF)/Values of Assumed Loading

Number of Outgoing Circuits	Assumed Loading Factor
2 and 3	0.8
4 and 5	0.7
6 to 9 Inclusive	0.6
10 and Above	0.5

Note: RDF only applies to continuously and simultaneously loading circuits. In principle this means adjacent circuit breakers having a load 'on' time exceeding 30 minutes or where a load not exceeding 30 minutes has an 'off' time less than the 'on' time will need to have the rating diversity factor applied as indicated.

Maintenance

To maintain the high quality appearance of this product BG Electrical recommend the use of a soft damp cloth periodically to clean the surfaces

ONLY CLEAN THE OUTSIDE OF THE CONSUMER UNIT.