

Brief Product Description

A compact range of IP65 rated garage consumer unit kits designed for surface mounted installations in garages, sheds and outbuildings. Supplied factory assembled within a 5 module insulated weatherproof enclosure, the kits provide local circuit protection and isolation suitable for external environments.

The enclosures offer protection against dust and water ingress and is compliant with BS EN 62208 requirements.

Features

- IP65 rated weatherproof insulated enclosure
- 5 module surface mounted consumer unit
- Hinged cover with secure closure
- Factory assembled for quick installation
- Knockouts provided in sides, top and base
- Supplied with 35mm DIN rail
- Suitable for garage and outbuilding applications
- Note: RCD or Main Switch configuration dependent on part number

Technical Specifications

Installation Method	Surface mounted
Number of Phases	1
Enclosure Rating	IP65
Colour	White
Rated Operational Voltage	230V AC
Supply Frequency	50Hz
Rated Insulation Voltage (Ui)	500V AC
Pollution Degree	3
DIN Rail	35mm
UV Stability	Yes
Standards	Enclosure: BS EN 62208
	MCB: IEC / EN 60898-1
	RCD (CFGAR1A only): IEC / EN 61008
	Main Switch (CFGAR2 only): IEC / EN 60947-3



Consumer Unit Part Codes

Cat No.	Protection Type	Supplied Devices
CFGAR1A	RCD Protected	1 x 40A 30mA RCD, 1 x 6A MCB & 1 x 32A MCB
CFGAR2	Main Switch	1 x 100A DP Main Switch, 1 x 6A MCB & 1 x 16A MCB

Product Images



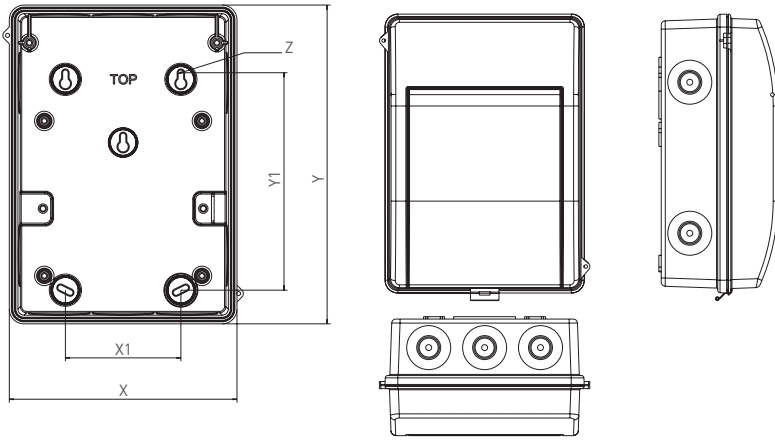
CFGAR2



CFGAR1A



Dimensional Line Drawing



Dimensions

Height: 234.5mm

Width: 167.5mm

Depth: 100mm

Rated Diversity Factor (RDF)/Values of Assumed Loading

Number of Outgoing Circuits	Assumed Loading Factor
2 and 3	0.8
4 and 5	0.7
6 to 9 Inclusive	0.6
10 and Above	0.5

Note: RDF only applies to continuously and simultaneously loading circuits. In principle this means adjacent circuit breakers having a load 'on' time exceeding 30 minutes or where a load not exceeding 30 minutes has an 'off' time less than the 'on' time will need to have the rating diversity factor applied as indicated.

Maintenance

To maintain the high quality appearance of this product BG Electrical recommend the use of a soft damp cloth periodically to clean the surfaces

ONLY CLEAN THE OUTSIDE OF THE CONSUMER UNIT.