

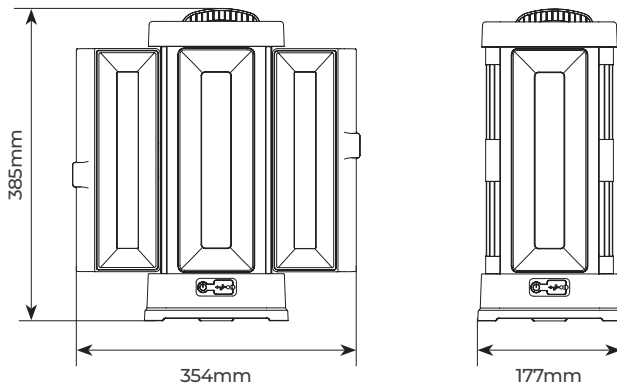
## 360° OPEN AREA 50W TRIPANEL WORKLIGHT

### Product Features

- 3 Light sources
- 2 side panels foldable and rotatable
- 3 Light modes: Low 1 panel 1200lm, Mid 2 panels 2000lm, High All 3 panels 4000lm
- Waterproof switch IP54 rated
- Charging time: 8hrs
- Battery: 7.4V Li-ion/ 4400mAh
- Supplied with USB-C charging cable



CAT NO.	LUMINAIRE LUMENS	WATTAGE	CHARGING TIME	WORKING TIME
LILA400S65	4000	50W	8hrs	1 hr at max



STANDARD	DESCRIPTION
EN 60598-1	Luminaires – General requirements
EN 60598-2-4	Luminaires – Portable
EN 61000-3-2	Electromagnetic compatibility (EMC) – Part 3-2: Limits – for harmonic current emissions
EN 61000-3-3	Limits – Limitation of voltage changes, voltage fluctuations and flicker in public low-voltage supply systems, for equipment with rated current ≤ 16 A per phase and not subject to conditional connection
EN 61547	Equipment for general lighting purposes – EMC immunity requirements
EN 55015	Limits and methods of measurement of radio disturbance characteristics of electrical lighting and similar equipment