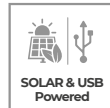


## SOLAR DECORATIVE PRYSM WALL LIGHT WITH USB CHARGING PORT



### Product Features

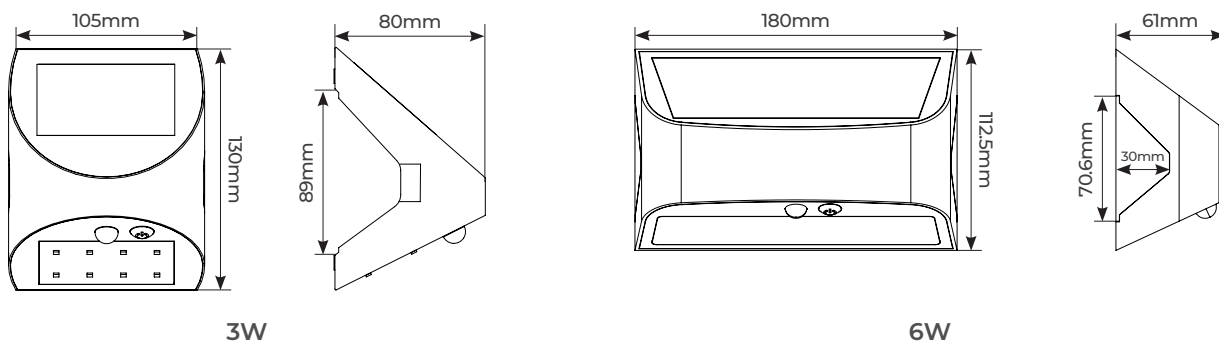
- Auto charged from sunlight
- Zero Electricity Costs = 100% Energy Savings
- No sun, no problem with inbuilt USB charging port for power top-up
- High quality monocrystalline solar panel
- Inbuilt ambient rear night light
- PIR motion sensor to extend battery life



CAT NO.	LUMINAIRE LUMENS	WATTAGE	BATTERY CAPACITY	COLOUR
LEXSW30B40	300	3W	Li-ion 3.7V 2400mAh	Black
LEXSW30W40	300	3W	Li-ion 3.7V 2400mAh	White
LEXSW60B40	600	6W	Li-ion 3.7V 2400mAh	Black
LEXSW60W40	600	6W	Li-ion 3.7V 2400mAh	White



### Product Drawing



STANDARD	DESCRIPTION
EN 60598-1	Luminaires – General requirements
EN 60598-2-1	Luminaires – Fixed general purpose
EN 61000-3-2	Electromagnetic compatibility (EMC) – Part 3-2: Limits – for harmonic current emissions
EN 61000-3-3	Limits – Limitation of voltage changes, voltage fluctuations and flicker in public low-voltage supply systems, for equipment with rated current ≤ 16 A per phase and not subject to conditional connection
EN 61547	Equipment for general lighting purposes – EMC immunity requirements
EN 55015	Limits and methods of measurement of radio disturbance characteristics of electrical lighting and similar equipment

