

## TEMPUS DALI DECORATIVE EXIT BLADE

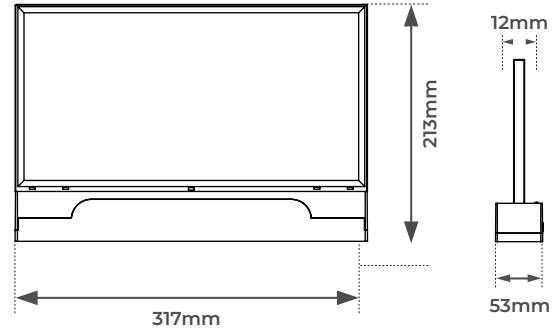
### Product Features

- Maintained and non-maintained emergency exit blade with ceiling or wall mounting as standard, along with a suspended version (max of 1.5m)
- Mechanically fixed legends supplied as standard (Left/Right/Up/Down)
- LiFePO4 battery technology



CAT NO.	TYPE	COLOUR	MOUNTING TYPE	WATTAGE
LEMDEBWEDA	DALI	White	Surface	3.5W
LEMDEBSWEDA	DALI	White	Suspended	3.5W
LEMDEBBEDA	DALI	Black	Surface	3.5W
LEMDEBSBEDA	DALI	Black	Suspended	3.5W

### Product Drawing



CAT NO.	WEIGHT(Kg)	FREQUENCY (Hz)	VIEWING DISTANCE	BATTERY TYPE	RECHARGE TIME	TEMP RANGE (°C)	AMBIENT TEMP RATED LIFE (°C)
LEMDEBWEDA	0.95	50-60hz	28m	LiFePO4	16 Hours	0 to 40	25
LEMDEBSWEDA	0.95	50-60hz	28m	LiFePO4	16 Hours	0 to 40	25
LEMDEBBEDA	0.95	50-60hz	28m	LiFePO4	16 Hours	0 to 40	25
LEMDEBSBEDA	0.95	50-60hz	28m	LiFePO4	16 Hours	0 to 40	25

STANDARD	DESCRIPTION
60598-1	Luminaires – General requirements
60598-2-22	Luminaires – Emergency
61000-3-2	Electromagnetic compatibility (EMC) - Part 3-2: Limits – for harmonic current emissions
61000-3-3	Lamp controlgear – Part 1: General and safety requirements
61547	Equipment for general lighting purposes – EMC immunity requirements
55015	Limits and methods of measurement of radio disturbance characteristics of electrical lighting and similar equipment

