

TEMPUS DALI RECESSED EMERGENCY DOWNLIGHT

Product Features

- Discreet non-maintained emergency downlight
- Recessed mount luminaire suitable for plasterboard or suspended ceiling systems
- Open area or corridor optic both supplied as standard



CAT NO.	TYPE	COLOUR	LUMINAIRE LUMENS	WATTAGE
LEMEDWEDA	DALI	White	22lm	3.5W
LEMEDBEDA	DALI	Black	22lm	3.5W

SPACING INFORMATION

Open Area (based on min. 0.5 Lux)

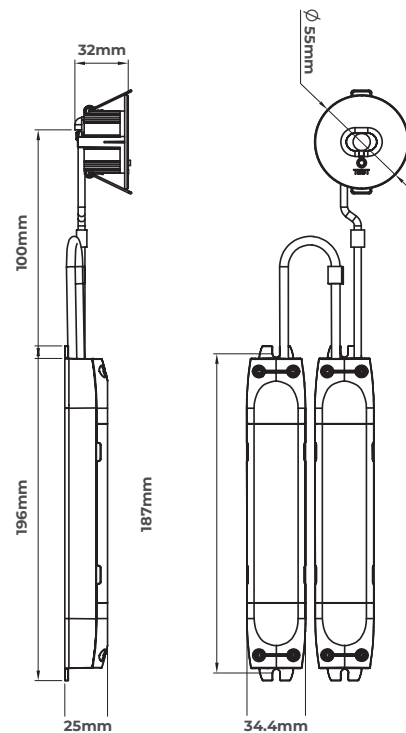
MOUNTING HEIGHT (M)	DISTANCE LM TO LM (M)
2.5	12.5
3.0	13.0
3.5	13.5
4.0	14.0

Escape Route (based on min. 1 Lux)

MOUNTING HEIGHT (M)	DISTANCE LM TO LM (M)
2.5	18.0
3.0	20.0
3.5	22.0
4.0	24.0



Product Drawing

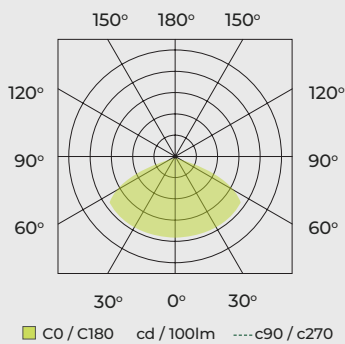


CAT NO.	WEIGHT (kg)	FREQUENCY (Hz)	IK RATING	BATTERY TYPE	RECHARGE PERIOD	TEMP RANGE (°C)	AMBIENT TEMP RATED LIFE (°C)
LEMEDWEDA	0.065	50-60	IK04	LiFePO4	24 Hours	0 to 45	25
LEMEDBEDA	0.065	50-60	IK04	LiFePO4	24 Hours	0 to 45	25

Open Area Luminaire Performance

Light Output Ratio: 100%
 Luminaire Efficacy: 100 lm/W
 Light Distribution: A20+98.8%+1.2%
 CIE Flux Codes: 16 57 99 99 100
 UGR 4H 8H
 (20%, 50%, 70%) C0 / C90: 39.1 / 39.2

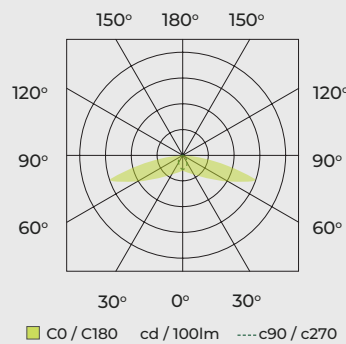
Luminous Intensity



Escape Route Luminaire Performance

Light Output Ratio: 100%
 Luminaire Efficacy: 100lm/W
 Light Distribution: A20+98.4%+1.6%
 CIE Flux Codes: 34 64 96 98 100
 UGR 4H 8H
 (20%, 50%, 70%) C0 / C90: 48.2 / 27.9

Luminous Intensity



STANDARD	DESCRIPTION
EN 60598-1	Luminaires – General requirements
EN 60598-2-2	Luminaires – Recessed
EN 60598-2-22	Luminaires – Emergency
EN 61000-3-2	Electromagnetic compatibility (EMC) – Part 3-2: Limits - for harmonic current emissions
EN 61000-3-3	Limits - Limitation of voltage changes, voltage fluctuations and flicker in public low-voltage supply systems, for equipment with rated current ≤ 16A per phase and not subject to conditional connection
EN 61547	Equipment for general lighting purposes – EMC immunity requirements
EN 55015	Limits and methods of measurement of radio disturbance characteristics of electrical lighting and similar equipment

