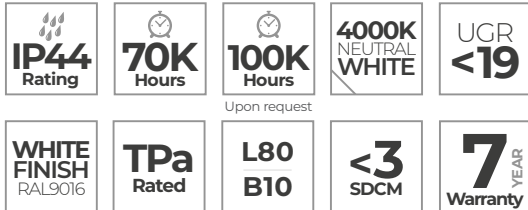


# LUXPANEL EXTRA 1200 x 600

## Product Features

- Backlit LED Panel with slimline 30mm depth finished in RAL9016 white
- Plug and play ENEC approved loop in-out driver with power change dip switch on fixed output versions
- 1200x600mm white aluminium frame with TPa rated diffuser and UGR19 compliant
- Recessed mounted suitable for use in 15mm or 24mm standard exposed ceiling grids
- Rear safety wire suspension points as standard



LUCECO  
**PLATFORM**  
WIRELESS LIGHTING CONTROLS

CAT NO.	DRIVER	LUMINAIRE LUMENS	WATTAGE	Lm/W
LBX612WS40	Fixed Output	4250 / 5000	27 / 32W	157 / 156
LBX612W42D40	Digital Dimmable	4250	27W	157
LBX612W50D40	Digital Dimmable	5000	32W	156

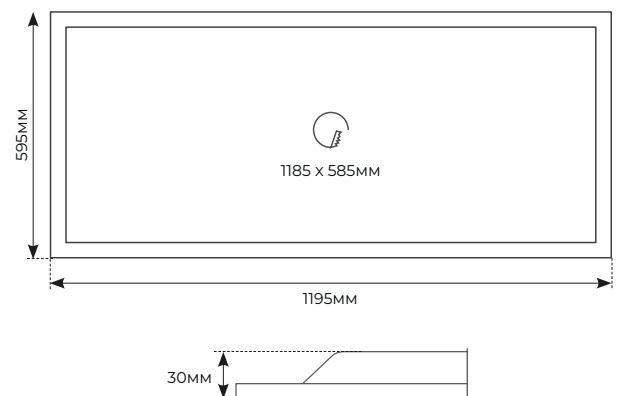
### To Specify:

Recessed Luxpanel Extra 1200x600mm LED Panel with efficacy up to 157Lm/cW, UGR19 and TPa rated diffuser.

PRODUCT ACCESSORIES	
1200x600 Surface Mounting Frame	<b>LPF612W</b>
1200x600 Plasterboard Recessing Frame	<b>LPF612SCRF</b>
4 point 1.5 Metre Suspension Kit	<b>EBPWSK415</b>

PRODUCT OPTIONS	
Luceco 3 Hour Remote Emergency Pack	<b>LED3EP1004W</b>
Self-Test Emergency Pack	<b>LED3EP1004W</b>
DALI Addressable Emergency Pack	<b>LED3EP80DED</b>
Luceco Platform Wireless – insert <b>LPW</b>	<b>LBX612W50LPW40</b>

## Product Drawing



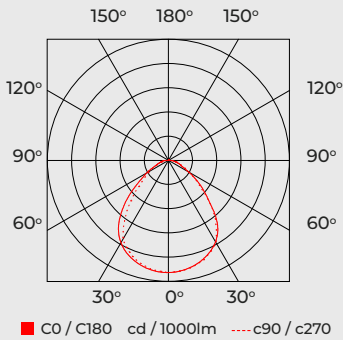
CAT NO.	WEIGHT	CRI	VOLTAGE	FREQUENCY (Hz)	TEMP RANGE (°C)	AMBIENT TEMP RATED LIFE (°C)
LBX612WS40						
LBX612W42D40	3.6kg	>80	220-240V	50-60	-20° - +25°	25
LBX612W50D40						

**LBX612WS40**

**Luminaire Performance**

Luminaire Efficiency: **100%**  
 Luminaire Efficacy: **139 lm/W**  
 Classification: **A50 ±99.6% ±0.4%**  
 CIE Flux Codes: **60 87 97 100 100**  
 UGR 4H 8H (20%, 50%, 70%) **16.4 / 15.6**  
 CO / C90:

**Luminous Intensity**



STANDARD	DESCRIPTION
EN 60598-1	Luminaires – General requirements
EN 60598-2-2	Luminaires – Recessed
EN 60598-2-22	Luminaires – Emergency
EN 61000-3-2	Electromagnetic compatibility (EMC) – Part 3-2: Limits – for harmonic current emissions
EN 61000-3-3	Limits – Limitation of voltage changes, voltage fluctuations and flicker in public low-voltage supply systems, for equipment with rated current ≤ 16 A per phase and not subject to conditional connection
EN 61547	Equipment for general lighting purposes – EMC immunity requirements
EN 55015	Limits and methods of measurement of radio disturbance characteristics of electrical lighting and similar equipment

