

## TEMPUS CONNECT TWINSPOT

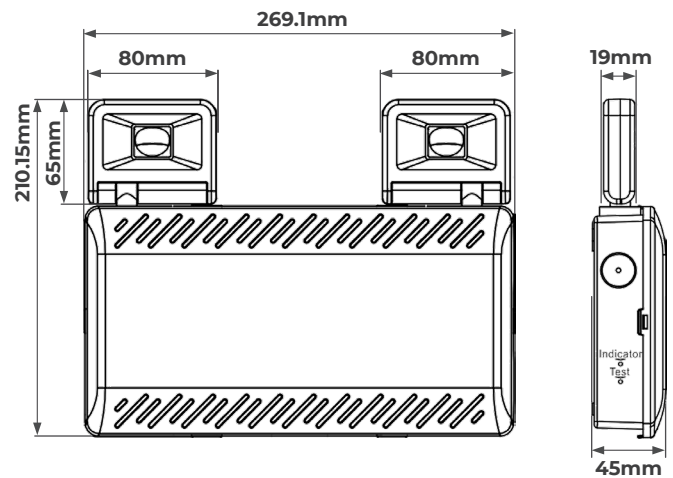
### EMERGENCY LIGHTING

#### Product Features

- Non-Maintained IP rated Emergency twinspace
- Modern design with slim profile
- Adjustable heads to ensure coverage area
- Compatible with Luceco Platform Wireless Ecosystem



#### Product Drawing



CAT NO.	TYPE	LUMINAIRE LUMENS	WATTAGE
LEMIPTWNWLPW	Luceco Platform Wireless	500	4W

	HEIGHT	AXIAL DISTANCE FROM WALL	AXIAL SPACING	TRANSVERSE SPACING	TRANSVERSE SPACING FROM WALL
OPEN AREA - 0.5 LUX	4	4	14	10	24
	5	4	15.5	10.5	26
	6	4	16.5	11	28
	7	4	17	11.5	30
	8	4	18	12	30
ESCAPE ROUTE - 1 LUX (Based on 2m width)	4	10	25	-	-
	5	11	26.5	-	-
	6	11	28.5	-	-
	7	11.5	29.5	-	-
	6	11.5	30	-	-

CAT NO.	WEIGHT (kg)	CRI	FREQUENCY (Hz)	IK RATING	BATTERY TYPE	BATTERY CAPACITY	TEMP RANGE (°C)	AMBIENT TEMP RATED LIFE (°C) MP RANGE
LEMIPTWNWLPW	0.405	>80	50-60	IK08	3.2V LiFePO4	6000mAh	5 - 45°C	25°C

STANDARD	DESCRIPTION
60598-1	Luminaires – General requirements
60598-2-22	Luminaires – Emergency
61000-3-2	Electromagnetic compatibility (EMC) – Part 3-2: Limits – for harmonic current emissions
61000-3-3	Lamp control gear – Part 1: General and safety requirements
61547	Equipment for general lighting purposes – EMC immunity requirements
55015	Limits and methods of measurement of radio disturbance characteristics of electrical lighting and similar equipment

