

## CONTOUR SUSPENDED

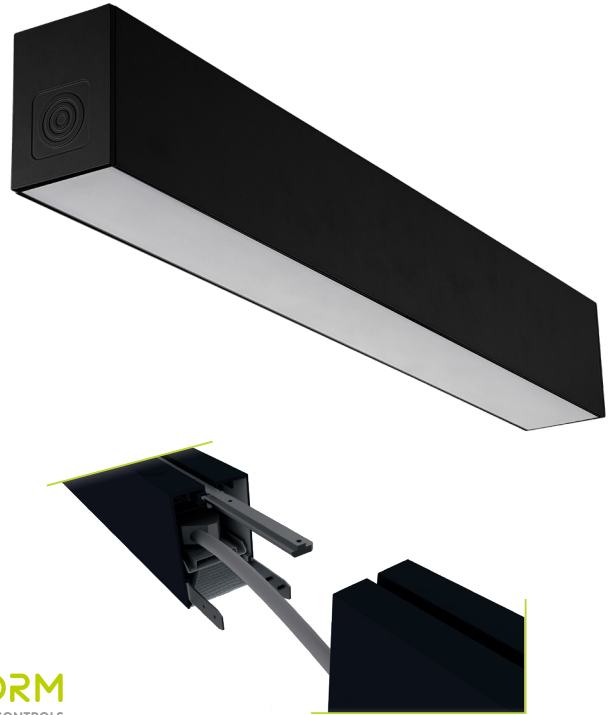
### Product Features

- Continuous light system with connectable modules offered in 600mm, 1200mm, 1500mm & 1800mm and illuminated connectors
- Premium aluminium extrusion with high quality polycarbonate diffuser
- Opal diffuser, micro-prism & asymmetric optic distributions available
- Suspension mounted via 1.5m suspension kit, plug and play wiring for continuous connection

### Mechanical & Electrical Connectors

**LCOCC** – Continuous Wiring Connector (1 required for each electrical connection)

**LCOFB** – Continuous Fixing Bracket (1 required for each luminaire)



LUCECO  
**PLATFORM**  
WIRELESS LIGHTING CONTROLS

CAT NO.	DRIVER	LENGTH INC. END CAPS (mm)	LENGTH EXCL. END CAPS (mm)	LUMINAIRE LUMENS	WATTAGE	EFFICACY Llm/cW
LCO06BO06S40	Fixed Output	571	565	600	6W	100
LCO06BO06D40	Digital Dimmable	571	565	600	6W	100
LCO12BO12S40	Fixed Output	1132	1126	1200	11W	104
LCO12BO12E40	Fixed Output + Emergency	1132	1126	1200	11W	104
LCO12BO12D40	Digital Dimmable	1132	1126	1200	11W	104
LCO12BO12ED40	Digital Dimmable + Emergency	1132	1126	1200	11W	104
LCO12BO24S40	Fixed Output	1132	1126	2400	23W	105
LCO12BO24E40	Fixed Output + Emergency	1132	1126	2400	23W	114
LCO12BO24D40	Digital Dimmable	1132	1126	2400	23W	114
LCO12BO24ED40	Digital Dimmable + Emergency	1132	1126	2400	23W	114
LCO15BO15S40	Fixed Output	1412	1406	1500	14W	114
LCO15BO15E40	Fixed Output + Emergency	1412	1406	1500	14W	114
LCO15BO15D40	Digital Dimmable	1412	1406	1500	14W	114
LCO15BO15ED40	Digital Dimmable + Emergency	1412	1406	1500	14W	114
LCO15BO30S40	Digital Dimmable	1412	1406	3000	28W	111
LCO15BO30E40	Fixed Output + Emergency	1412	1406	3000	28W	111
LCO15BO30D40	Digital Dimmable	1412	1406	3000	28W	111
LCO15BO30ED40	Digital Dimmable + Emergency	1412	1406	3000	28W	111
LCO18BO18S40	Fixed Output	1693	1687	1800	17W	106
LCO18BO18E40	Fixed Output + Emergency	1693	1687	1800	17W	106
LCO18BO18D40	Digital Dimmable	1693	1687	1800	17W	106
LCO18BO18ED40	Digital Dimmable + Emergency	1693	1687	1800	17W	106
LCO18BO36S40	Fixed Output	1693	1687	3600	34W	123
LCO18BO36E40	Fixed Output + Emergency	1693	1687	3600	34W	123
LCO18BO36D40	Digital Dimmable	1693	1687	3600	34W	123
LCO18BO36ED40	Digital Dimmable + Emergency	1693	1687	3600	34W	123

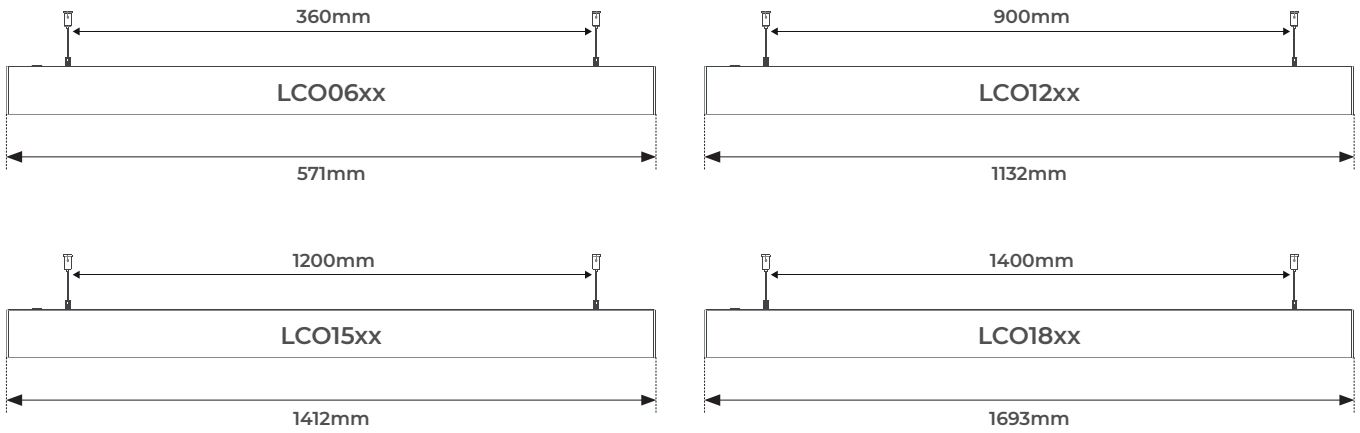
### To Specify:

Suspended linear LED lighting system with efficacy up to 109Llm/cW. Precision extruded aluminium modules with polycarbonate opal or microprism diffusers. Provides standalone or continuous smooth lines or angles of light.

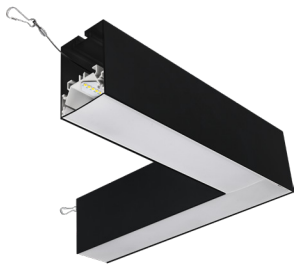
### PRODUCT OPTIONS

Luceco Platform Wireless	Insert <b>LPW</b> , eg. LCO15BO15LPW40
Luceco Platform Wireless with PIR	Insert <b>LPW &amp; PIR</b> , eg. LCO15BO15LPW40PIR

## Suspension Fixing Centres



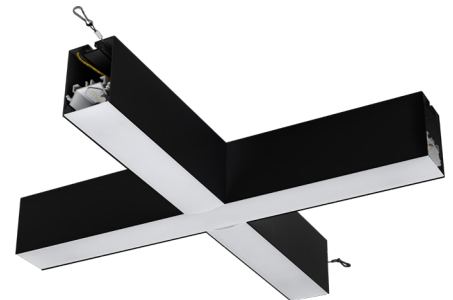
## CONNECTORS



LCO9CBO06S40



LCOTCBO09S40



LCOXCBO12S40

CAT NO.	DRIVER	LENGTH INCL. END CAPS (mm)	LENGTH EXCL. END CAPS (mm)	HEIGHT (mm)	WIDTH (mm)	LUMINAIRE LUMENS	WATTAGE	EFFICACY Lm/cW
<b>90° Connector</b>								
LCO9CBO06S40	Fixed Output	314	314	84	60	600	6W	106
LCO9CBO06D40	Digital Dimmable	314	314	84	60	600	6W	106
LCO9CBO12S40	Fixed Output	314	314	84	60	1200	11W	106
LCO9CBO12D40	Digital Dimmable	314	314	84	60	1200	11W	106
<b>T Connector</b>								
LCOTCBO09S40	Fixed Output	568	314	84	60	900	9W	100
LCOTCBO09D40	Digital Dimmable	568	314	84	60	900	9W	100
LCOTCBO18S40	Fixed Output	568	314	84	60	1800	17W	106
LCOTCBO18D40	Digital Dimmable	568	314	84	60	1800	17W	106
<b>X Connector</b>								
LCOXCBO12S40	Fixed Output	568	568	84	60	1200	12W	100
LCOXCBO12D40	Digital Dimmable	568	568	84	60	1200	12W	100
LCOXCBO24S40	Fixed Output	568	568	84	60	2400	22W	109
LCOXCBO24D40	Digital Dimmable	568	568	84	60	2400	22W	109

**LCO12BO24S40**  
**Luminaire Performance**  
 Light Output Ratio: 100%  
 Luminaire Efficacy: 104.35lm/W  
 Light Distribution: A40 +98.9% ±1.1%  
 CIE Flux Codes: 47 78 95 99 100  
 UGR 4H 8H (20%, 50%, 70%) C0 / C90: 25.8 / 25.3

**Luminous Intensity**

150° 180° 150°  
 120° 120°  
 90° 90°  
 60° 60°  
 30° 0° 30°  
 ■ C0 / C180 cd / 100lm .....c90 / c270

**LCO15BO30S40**  
**Luminaire Performance**  
 Light Output Ratio: 100%  
 Luminaire Efficacy: 107.14lm/W  
 Light Distribution: A40 +98.3% ±1.7%  
 CIE Flux Codes: 46 77 94 98 100  
 UGR 4H 8H (20%, 50%, 70%) C0 / C90: 27.7 / 25.2

**Luminous Intensity**

150° 180° 150°  
 120° 120°  
 90° 90°  
 60° 60°  
 30° 0° 30°  
 ■ C0 / C180 cd / 100lm .....c90 / c270

**LCO18BO36S40**  
**Luminaire Performance**  
 Light Output Ratio: 100%  
 Luminaire Efficacy: 105.88lm/W  
 Light Distribution: A40 +98.5% ±1.5%  
 CIE Flux Codes: 46 77 94 98 100  
 UGR 4H 8H (20%, 50%, 70%) C0 / C90: 27.3 / 25.4

**Luminous Intensity**

150° 180° 150°  
 120° 120°  
 90° 90°  
 60° 60°  
 30° 0° 30°  
 ■ C0 / C180 cd / 100lm .....c90 / c270

CAT NO.	WEIGHT (kg)	L FIXING CENTRES (mm)	CRI	SDCM	UGR	IK RATING	FREQUENCY (Hz)	TEMP RANGE (°C)	AMBIENT TEMP RATED LIFE (°C)	L/B RATED LIFE
LCO06BO06S40	1.71	360	>80	<3	<23	IK04	50-60	-20 - +30	25	L80/B10
LCO06BO06D40	1.81	360	>80	<3	<23	IK04	50-60	-20 - +30	25	L80/B10
LCO12BO12S40	3.05	900	>80	<3	<23	IK04	50-60	-20 - +30	25	L80/B10
LCO12BO12E40	3.35	900	>80	<3	<23	IK04	50-60	0 - +30	25	L80/B10
LCO12BO12D40	3.15	900	>80	<3	<23	IK04	50-60	-20 - +30	25	L80/B10
LCO12BO24S40	3.104	900	>80	<3	<23	IK04	50-60	-20 - +30	25	L80/B10
LCO12BO24E40	3.404	900	>80	<3	<23	IK04	50-60	0 - +30	25	L80/B10
LCO12BO24D40	3.204	900	>80	<3	<23	IK04	50-60	-20 - +30	25	L80/B10
LCO15BO15S40	3.692	1200	>80	<3	<26	IK04	50-60	-20 - +30	25	L80/B10
LCO15BO15E40	3.992	1200	>80	<3	<26	IK04	50-60	0 - +30	25	L80/B10
LCO15BO15D40	3.792	1200	>80	<3	<26	IK04	50-60	-20 - +30	25	L80/B10
LCO15BO30S40	3.895	1200	>80	<3	<26	IK04	50-60	-20 - +30	25	L80/B10
LCO15BO30E40	4.195	1200	>80	<3	<26	IK04	50-60	0 - +30	25	L80/B10
LCO15BO30D40	3.995	1200	>80	<3	<26	IK04	50-60	-20 - +30	25	L80/B10
LCO18BO18S40	4.32	1400	>80	<3	<25	IK04	50-60	-20 - +30	25	L80/B10
LCO18BO18E40	4.62	1400	>80	<3	<25	IK04	50-60	0 - +30	25	L80/B10
LCO18BO18D40	4.42	1400	>80	<3	<25	IK04	50-60	-20 - +30	25	L80/B10
LCO18BO36S40	4.603	1400	>80	<3	<25	IK04	50-60	-20 - +30	25	L80/B10
LCO18BO36E40	4.903	1400	>80	<3	<25	IK04	50-60	0 - +30	25	L80/B10
LCO18BO36D40	4.703	1400	>80	<3	<25	IK04	50-60	-20 - +30	25	L80/B10

STANDARD	DESCRIPTION
EN 60598-1	Luminaires – General requirements
EN 60598-2-1	Luminaires – Fixed general purpose
EN 60598-2-22	Luminaires – Emergency
EN 61000-3-2	Electromagnetic compatibility (EMC) – Part 3-2: Limits - for harmonic current emissions
EN 61000-3-3	Limits - Limitation of voltage changes, voltage fluctuations and flicker in public low-voltage supply systems, for equipment with rated current ≤ 16 A per phase and not subject to conditional connection
EN 61547	Equipment for general lighting purposes – EMC immunity requirements
EN 55015	Limits and methods of measurement of radio disturbance characteristics of electrical lighting and similar equipment

