

18-20V BATTERY COMPATIBLE
**TITAN TELESCOPIC
 WORK LIGHT**

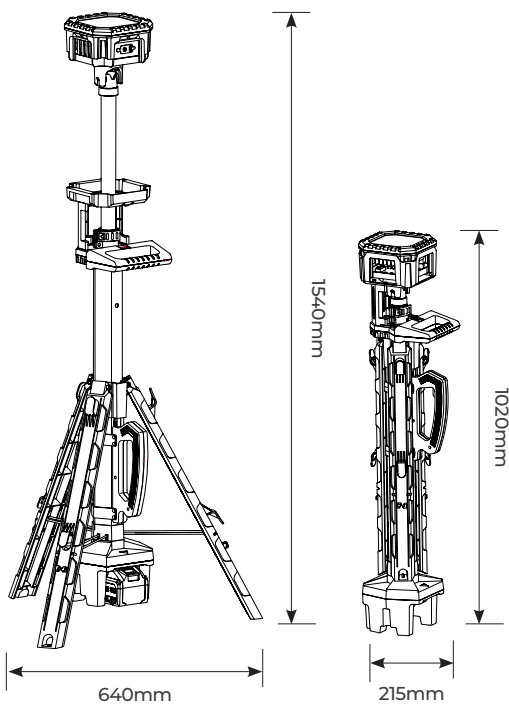
Product Features

- 18-20V battery powered 68W work light
- No drop in brightness - consistent & stable light output.
- 270° adjustable light head.
- Heavy duty aluminium and PC housing.
- 4 Light modes.
- Easy to open telescopic tripod -Extends up to 1.5m.
- Folding design for easy storage and portability.
- Supplied with adapters in box. Compatible with Black & Decker, Bosch Pro, Dewalt, Makita, Milwaukee, Porter Cable, Stanley.



CAT NO.	LUMINAIRE LUMENS	WATTAGE
LILTPV750G65	7500	68W

Product Drawing

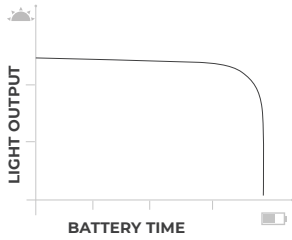


STABLE PERFORMANCE

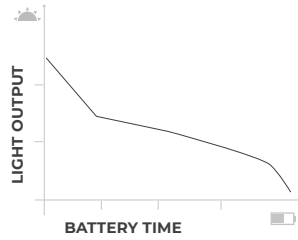
No Drop in Brightness

Consistent & Stable light output

LUCECO
UniVolt
light curve



Typical
rechargeable
battery light curve



Battery Runtime

BATTERY	7500lm	5000lm	3500lm	1700lm
Tested with 5.0Ah	1hr 20min	2hrs	3hrs 15min	6hrs 50min

BRAND COMPATIBILITY ADAPTORS

18V-20V BATTERY BRAND	ADAPTOR
DeWalt Milwaukee	DWT MLK
Black & Decker Porter Cable Stanley pre-2021	B&D PTC STY 2021
Makita	MAK
Bosch Pro	BSH
Stanley Post 2022	STY 2022

CAT NO.	MIN CRI	OPERATING TEMP (TA°C)	IP RATING	IK RATING	NET WEIGHT (KG)	LIFETIME L70/B50
LILTPV750G65	≥80	-20-40°C	IP20	IK05	4.50	30,000

STANDARD	DESCRIPTION
EN 60598-1	Luminaires – General requirements
EN 60598.2-4	Luminaires – Recessed
EN 61000-3-2	Electromagnetic compatibility (EMC) – Part 3-2: Limits – for harmonic current emissions
EN 61000-3-3	Limits - Limitation of voltage changes, voltage fluctuations and flicker in public low-voltage supply systems, for equipment with rated current ≤ 16 A per phase and not subject to conditional connection
EN 61547	Equipment for general lighting purposes – EMC immunity requirements
EN 55015	Limits and methods of measurement of radio disturbance characteristics of electrical lighting and similar equipment

