

18-20V BATTERY COMPATIBLE  
**18W TRIPLE  
 HEAD**

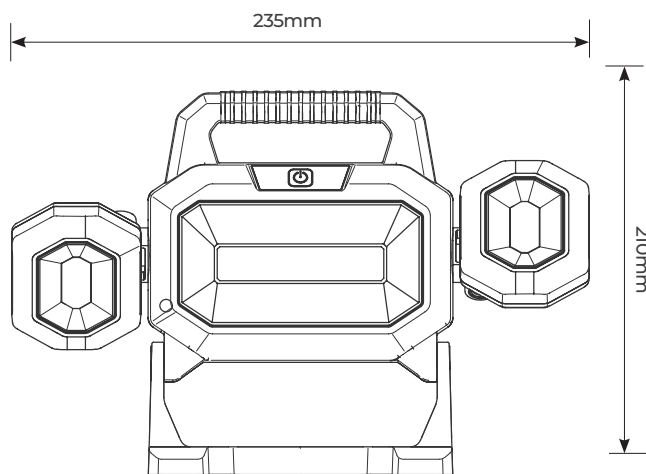
**Product Features**

- 18-20V battery powered 18W work light
- No drop in brightness - consistent & stable light output
- Three light modes.
- Rotating side panels for wide -area coverage
- Light weight with reinforced carry handle
- Magnetic Base + Tripod Mount
- Supplied with adapters in box. Compatible with Black & Decker, Bosch Pro, Dewalt, Makita, Milwaukee, Porter Cable, Stanley.



CAT NO.	LUMINAIRE LUMENS	WATTAGE
LILWV250G65	2500	18W

**Product Drawing**

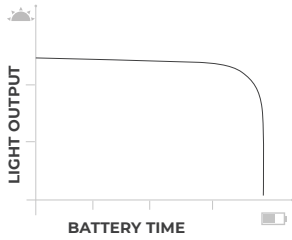


**STABLE PERFORMANCE**

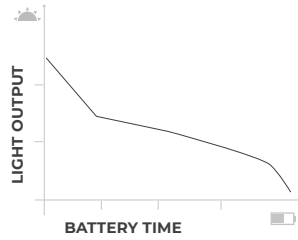
**No Drop in Brightness**

Consistent & Stable light output

LUCECO  
**UniVolt**  
light curve



Typical  
rechargeable  
battery light curve



**Battery Runtime**

BATTERY	2500lm	1200lm
Tested with 5.0Ah	4hrs	8hrs

**BRAND COMPATIBILITY ADAPTORS**

18V-20V BATTERY BRAND	ADAPTOR
DeWalt Milwaukee	DWT MLK
Black & Decker Porter Cable Stanley pre-2021	B&D PTC STY 2021
Makita	MAK
Bosch Pro	BSH
Stanley Post 2022	STY 2022

CAT NO.	MIN CRI	OPERATING TEMP (TA°C)	IP RATING	IK RATING	NET WEIGHT (KG)	LIFETIME L70/B50
LILWV250G65	≥80	-20-40°C	IP20	IK05	0.89	30,000

STANDARD	DESCRIPTION
EN 60598-1	Luminaires – General requirements
EN 60598.2-4	Luminaires – Recessed
EN 61000-3-2	Electromagnetic compatibility (EMC) – Part 3-2: Limits – for harmonic current emissions
EN 61000-3-3	Limits - Limitation of voltage changes, voltage fluctuations and flicker in public low-voltage supply systems, for equipment with rated current ≤ 16 A per phase and not subject to conditional connection
EN 61547	Equipment for general lighting purposes – EMC immunity requirements
EN 55015	Limits and methods of measurement of radio disturbance characteristics of electrical lighting and similar equipment

