

18-20V BATTERY COMPATIBLE  
**46W HEAVY DUTY  
 OPEN AREA  
 WORKLIGHT**

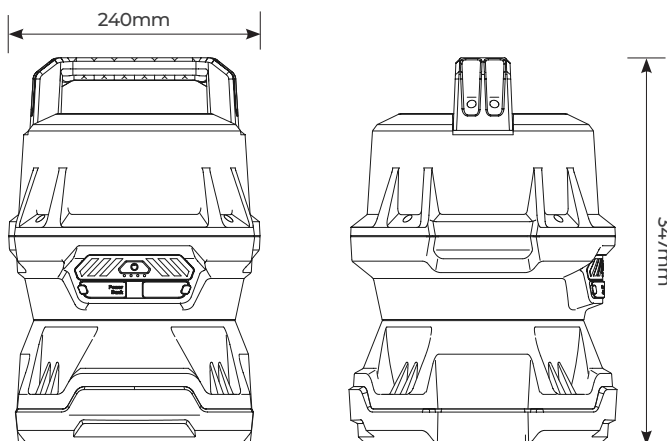
**Product Features**

- 46W portable area light powered by 18–20V battery packs.
- 360° illumination with 4000 lumens for bright, reliable light.
- Stable, consistent output with no drop in brightness.
- Three versatile light modes for any task.
- Enclosed battery for complete protection against impacts and water.
- Durable body with IP65 and IK10 rating for weather and impact resistance.
- USB port for powering devices on the go.
- 1/4" tripod mount for flexible positioning.
- Rugged, weatherproof design built for professional, automotive, and leisure use.
- Supplied with adapters in box. Compatible with Black & Decker, Bosch Pro, Dewalt, Makita, Milwaukee, Porter Cable, Stanley.



CAT NO.	LUMINAIRE LUMENS	WATTAGE
LWHOAV400G65	4000	46W

**Product Drawing**

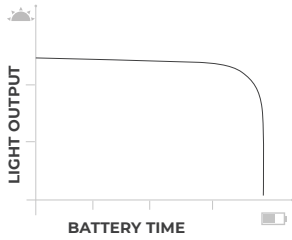


**STABLE PERFORMANCE**

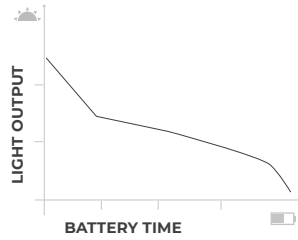
**No Drop in Brightness**

Consistent & Stable light output

LUCECO  
**UniVolt**  
light curve



Typical  
rechargeable  
battery light curve



**Battery Runtime**

BATTERY	4000lm	2000lm	1000lm
Tested with 5.0Ah	1hr 50min	3hrs 40min	7hrs 30min

**BRAND COMPATIBILITY ADAPTORS**

18V-20V BATTERY BRAND	ADAPTOR
DeWalt Milwaukee	DWT MLK
Black & Decker Porter Cable Stanley pre-2021	B&D PTC STY 2021
Makita	MAK
Bosch Pro	BSH
Stanley Post 2022	STY 2022

CAT NO.	MIN CRI	OPERATING TEMP (TA°C)	IP RATING	IK RATING	NET WEIGHT (KG)	LIFETIME L70/B50
LWHOAV400G65	≥80	-20-40°C	IP65	IK10	2.19	30,000

STANDARD	DESCRIPTION
EN 60598-1	Luminaires – General requirements
EN 60598.2-4	Luminaires – Recessed
EN 61000-3-2	Electromagnetic compatibility (EMC) – Part 3-2: Limits – for harmonic current emissions
EN 61000-3-3	Limits - Limitation of voltage changes, voltage fluctuations and flicker in public low-voltage supply systems, for equipment with rated current ≤ 16 A per phase and not subject to conditional connection
EN 61547	Equipment for general lighting purposes – EMC immunity requirements
EN 55015	Limits and methods of measurement of radio disturbance characteristics of electrical lighting and similar equipment

