

LUXPANEL ESSENCE

Product Features

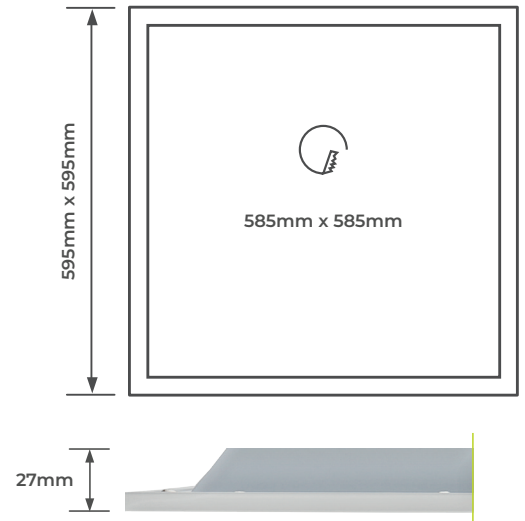
- Backlit LED technology with slimline 27mm depth
- Recessed mounted suitable for use in 15mm or 24mm standard exposed ceiling grids
- Fully customizable with the ability to easily change the power and CCT



CAT NO.	DRIVER	LUMINAIRE LUMENS	WATTAGE	COLOUR TEMP
LES66WS40	Fixed Output	2800/3500	25/28W	4000K
LES66WSCC	Fixed Output	2800/3500	25/28W	3000K/4000K/5000K/6000K
LES66WDCC	Digital Dimmable	2800/3500	25/28W	3000K/4000K/5000K/6000K
LES612WSCC	Fixed Output	4000/5000	41/43W	3000K/4000K/5000K/6000K

PRODUCT ACCESSORIES	
Emergency Pack	LED3EP2W
Self Test Emergency Pack	LED3EP1004W

Product Drawing



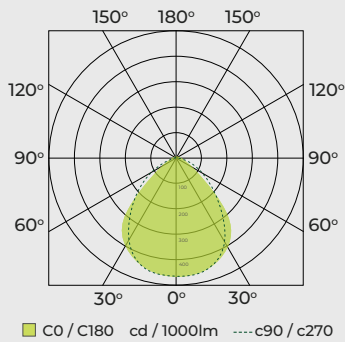
CAT NO.	EFFICACY (Lm/W)	CRI	FREQUENCY (Hz)	UGR	TEMP RANGE (°C)	AMBIENT TEMP RATED LIFE (°C)	L/B RATED LIFE
LES66WS40	125	>80	50-60	<19	-20 to +30	25	L70 / B50
LES66WSCC	125	>80	50-60	<19	-20 to +30	25	L70 / B50
LES66WDCC	125	>80	50-60	<19	-20 to +30	25	L70 / B50
LES612WSCC	116	>80	50-60	<19	-20 to +30	25	L70 / B50

LES66WS40

Luminaire Performance

Luminaire Efficiency: 100%
 Luminaire Efficacy: 125 lm/W
 Classification: A50 ↓100% ↑0%
 CIE Flux Codes: 60 87 97 100 100
 UGR 4H 8H
 (20%, 50%, 70%) C0 / C90: 16.5 / 17.1

Luminous Intensity

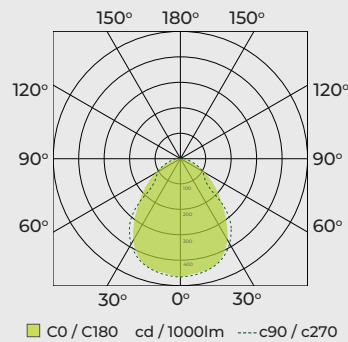


LES612WSCC

Luminaire Performance

Luminaire Efficiency: 100%
 Luminaire Efficacy: 122 lm/W
 Classification: A50 ↓100% ↑0%
 CIE Flux Codes: 60 87 97 100 100
 UGR 4H 8H
 (20%, 50%, 70%) C0 / C90: 16.3 / 16.1

Luminous Intensity



STANDARD	DESCRIPTION
EN 60598-1	Luminaires – General requirements
EN 60598-2-2	Luminaires – Recessed
EN 60598-2-22	Luminaires – Emergency
EN 61000-3-2	Electromagnetic compatibility (EMC) – Part 3-2: Limits – for harmonic current emissions
EN 61000-3-3	Limits - Limitation of voltage changes, voltage fluctuations and flicker in public low-voltage supply systems, for equipment with rated current ≤ 16 A per phase and not subject to conditional connection
EN 61547	Equipment for general lighting purposes – EMC immunity requirements
EN 55015	Limits and methods of measurement of radio disturbance characteristics of electrical lighting and similar equipment

