

HYBRID POWERED  
**30W TWIN HEAD  
 WORK LIGHT**

240V & 18-20V BATTERY COMPATIBLE

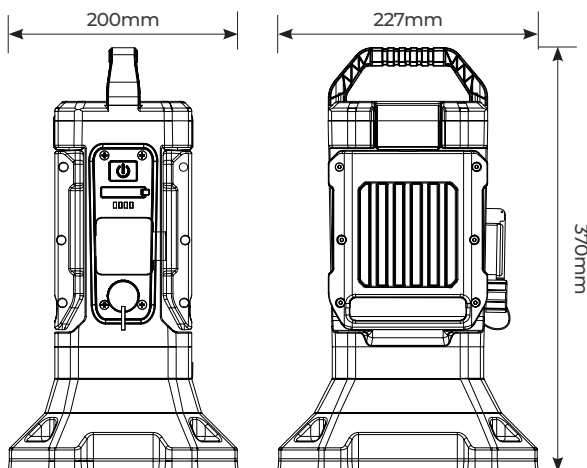
**Product Features**

- Runs on mains power (220–240 V) or a compatible 18V/20V battery, providing ultimate flexibility on site
- High-performance LED Twin head delivering up to 3500 lumens of bright daylight white light (6500K) for clear, reliable visibility
- Full tilt and twist head movement for focused or area lighting Light automatically shuts off when heads are folded
- Inbuilt 13A socket outlet to power other equipment when the light is connected to the mains inlet
- Tripod mount: 1/4" or M6. Supplied with M6 to 1/4" tripod mount adapter
- Durable ABS body built to last
- Supplied with adapters in box. Compatible with Black & Decker, Bosch Pro, Dewalt, Makita, Milwaukee, Porter Cable, Stanley.



CAT NO.	LUMINAIRE LUMENS	WATTAGE
LILHYV350G65UK	3500	30W

**Product Drawing**

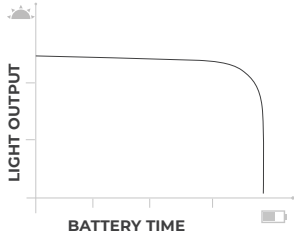


**STABLE PERFORMANCE**

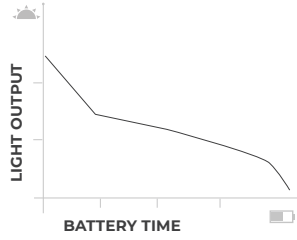
**No Drop in Brightness**

Consistent & Stable light output

LUCECO  
**UniVolt**  
 light curve



Typical  
 rechargeable  
 battery light curve



**Battery Runtime**

BATTERY	1750lm	3500lm
Tested with 5.0Ah	6hrs	3hrs

**BRAND COMPATIBILITY ADAPTORS**

18V-20V BATTERY BRAND	ADAPTOR
Makita 18V	MKT
DeWalt / Milwaukee	DW / MWK
Bosch 18V Professional	BOS
Black & Decker / Porter Cable / Stanley pre 2021	BD / PC / STY
Stanley Post 2022	STY 2022

CAT NO.	MIN CRI	OPERATING TEMP (TA°C)	IP RATING	IK RATING	NET WEIGHT (KG)	LIFETIME L70/B50
LILHYV350G65UK	≥80	-20-40°C	IP20	IK06	2.040	30,000

STANDARD	DESCRIPTION
EN 60598-1	Luminaires – General requirements
EN 60598.2-4	Luminaires – Recessed
EN 61000-3-2	Electromagnetic compatibility (EMC) – Part 3-2: Limits – for harmonic current emissions
EN 61000-3-3	Limits - Limitation of voltage changes, voltage fluctuations and flicker in public low-voltage supply systems, for equipment with rated current ≤ 16 A per phase and not subject to conditional connection
EN 61547	Equipment for general lighting purposes – EMC immunity requirements
EN 55015	Limits and methods of measurement of radio disturbance characteristics of electrical lighting and similar equipment

