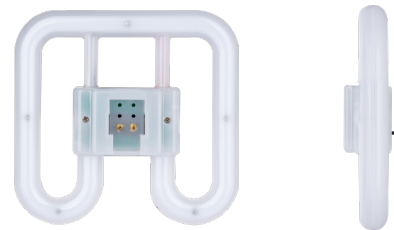


# DD LED LAMP WITH COLOUR CHANGE

## Product Features

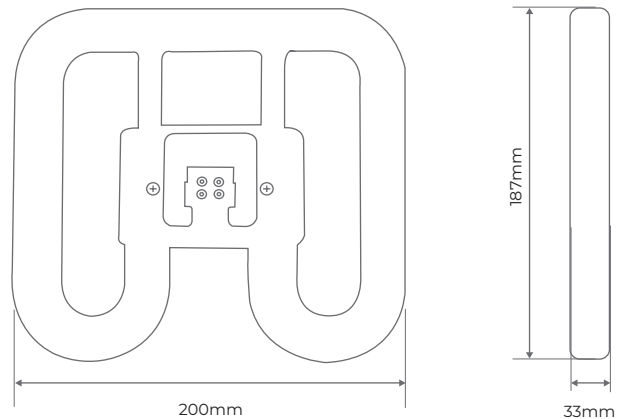
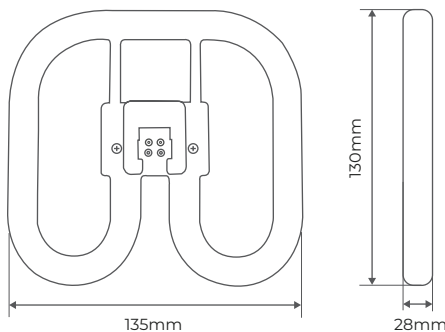
- No rewiring needed - straight retrofit
- Ideal replacement for traditional CFL Lamp
- Available in a range of wattages to replace existing traditional 16W, 28W and 38W equivalents
- 50,000 hours (lasts up to 3x longer than CFL's)
- Available in both 2 and 4 pin base caps
- Not suitable with emergency battery packs
- Magnetic version supplied with replacement LED starter
- Colour temperature change 3000K-4000K-6000K via internal dip switch



CAT NO.	BALLAST	BASE TYPE	LUMENS	WATTAGE	EQUIVALENT CFL	CCT
L2D6MCCT	Magnetic	2 Pin GR8 Cap	800	6.5W	16W	3000K/4000K/6000K
L2D6ECCT	Electronic	4 Pin GR10q Cap	800	6W	16W	3000K/4000K/6000K
L2D12ECCT	Electronic	4 Pin GR10q Cap	1800	12.5W	28W	3000K/4000K/6000K
L2D18ECCT	Electronic	4 Pin GR10q Cap	2100	18W	38W	3000K/4000K/6000K

12.5W / 18W

6W / 6.5W



CAT NO.	CRI	INPUT MAX	OUTPUT
L2D6MCCT	>80	220-240VAC 0.05A Max 50/60Hz	6.5W
L2D6ECCT	>80	250VAC 52kHz 0.06A Max 16W	45-47VDC 0.13A Max 6W
L2D12ECCT	>80	250VAC 58kHz 0.17A Max 28W	60-65VDC 0.19A Max 12.5W
L2D18ECCT	>80	250VAC 55kHz 0.19A Max 38W	80-90VDC 0.20A Max 18W

