

**ECO DECORATIVE IP54 BULKHEAD**  
**Ø220mm & Ø280mm**  
**EBH22S40-02/EBH28S40-02**



**IP54 RATED** **25,000 HOURS** **CRI >80** **3 year standard WARRANTY**

<p>LUCECO EBH22S40</p> <p>This luminaire contains built-in LED lamps.</p> <p>A+ } LED  A+ }  A }  B }  C }  D }  E }</p> <p>The lamps cannot be changed in the luminaire.</p> <p>874/2012</p>	<p>LUCECO EBH28S40</p> <p>This luminaire contains built-in LED lamps.</p> <p>A+ } LED  A+ }  A }  B }  C }  D }  E }</p> <p>The lamps cannot be changed in the luminaire.</p> <p>874/2012</p>
-----------------------------------------------------------------------------------------------------------------------------------------------------------------------------------------------------------------------	-----------------------------------------------------------------------------------------------------------------------------------------------------------------------------------------------------------------------

**NOTE** - To comply with regulations, installation must be carried out by suitably qualified competent person and in accordance with the current IEE Wiring Regulations (BS7671) and Building Regulations. A copy of the instructions must be left for the user/maintenance engineer for future reference.

**For non-UK, please refer/consult local requirements**

**ENSURE ELECTRICAL SUPPLY IS DISCONNECTED/ ISOLATED BEFORE COMMENCING INSTALLATION**

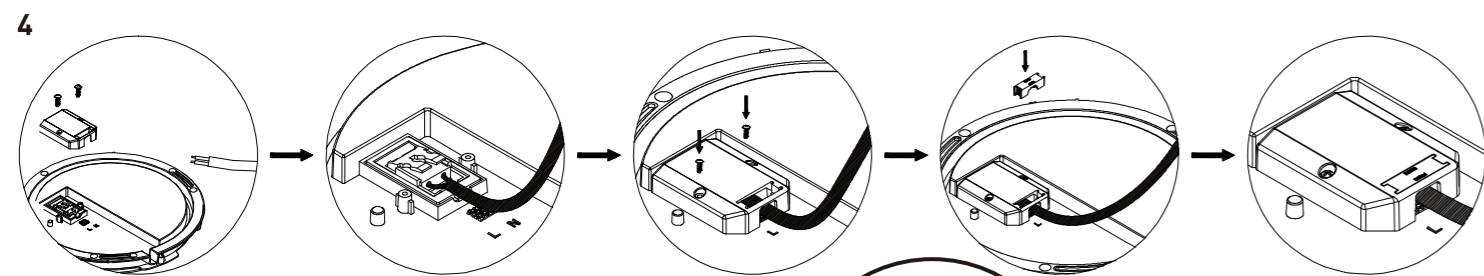
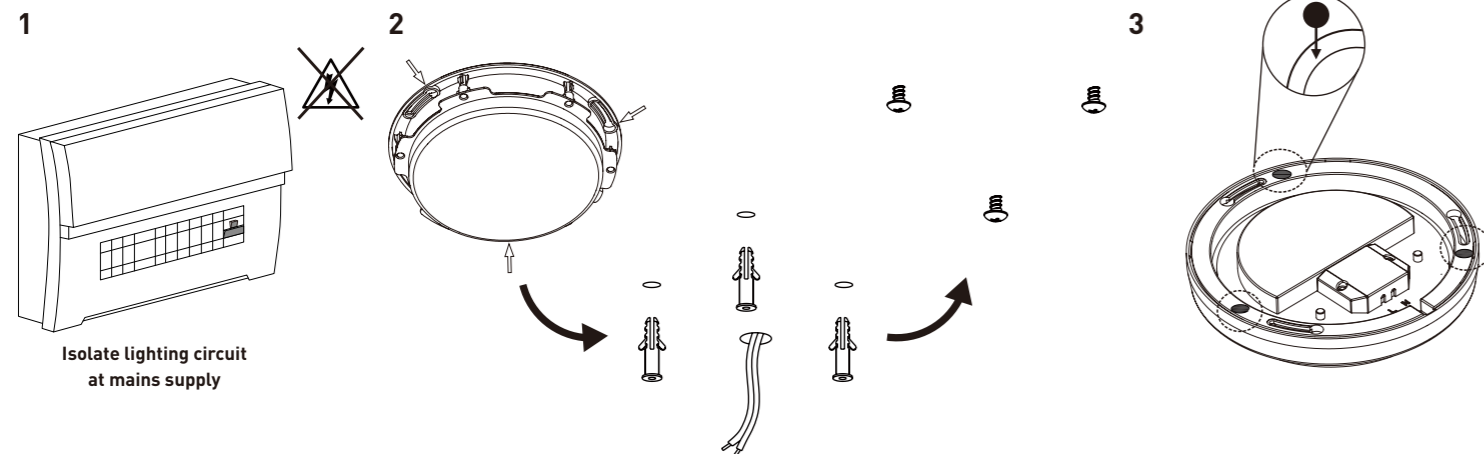
**INCLUDED:**

- (x3)
- (x3) surface rubber pads
- (x3) 4mm x 30mm

**TOOLS NEEDED:**

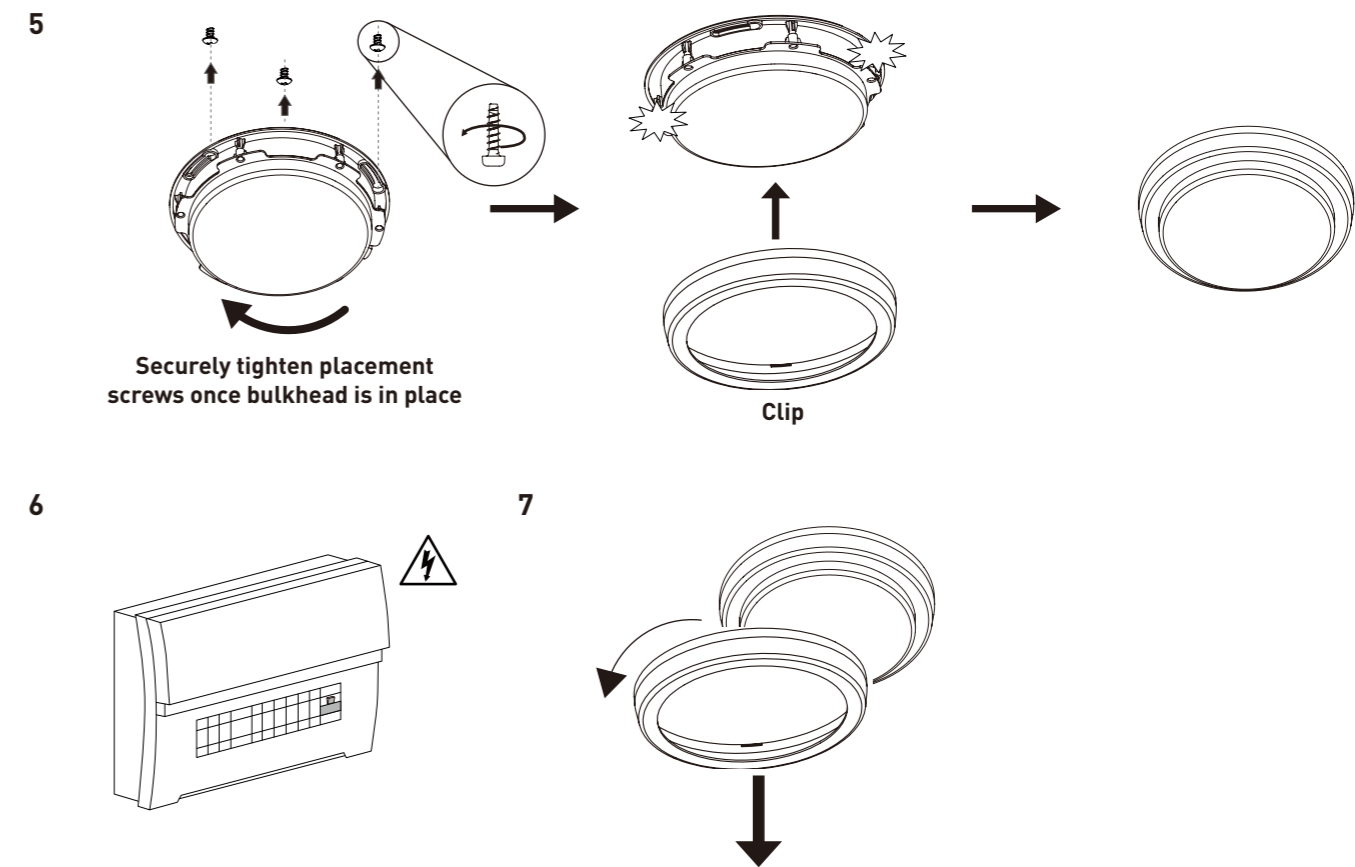
- 
- 
- 
- 

**ASSEMBLY AND INSTALLATION**



**IMPORTANT:**  
**CABLES MUST FIT SECURELY TO TERMINAL BLOCK TO ENSURE WATERPROOF SEAL. ENSURE BLACK RUBBER GASKET REMAINS IN PLACE**

Suitable Cable:  
H05VVH2-U 2\*1.0mm<sup>2</sup>  
H05VVH2-U 2\*1.0+1mm<sup>2</sup>  
H05VVH2-U 2\*1.5mm<sup>2</sup>  
H05VVH2-U 2\*1.5+1mm<sup>2</sup>



Part Code	Colour Temp.	Voltage	Wattage	Lumens	Llm/W	Beam Angle	Dimmable	IP Rating	Dimensions
<b>Eco Decorative IP54 Bulkheads</b>									
EBH22S40-02	4000K	220-240VAC 50/60Hz	14W	1300Lm	93 Llm/W	120°	No	IP54	Ø220mm x 55mm
EBH28S40-02	4000K	220-240VAC 50/60Hz	17W	1650Lm	97 Llm/W	120°	No	IP54	Ø280mm x 55mm

**United Kingdom Warranty**  
For other territories and for further information, please see [www.luceco.com](http://www.luceco.com) for details

Products are protected by warranty for a period of 3 years from date of purchase against defects in material and workmanship (unless otherwise stated). Should a product fail to perform as described within the warranty period it will be repaired or replaced with the same or equivalent product by Luceco, free of charge provided that you: (1) return the product to us with shipping charge prepaid, (2) provide us with proof of the original date of purchase and (3) quote our return authorization number. Repaired or replaced products will be returned to you with shipping charges prepaid. Replacement products may be refurbished or contain refurbished materials. If in our sole discretion, we are unable to repair or replace a defective product, we will refund the purchase price of the product.

This warranty will not apply if in our judgment, the product fails due to damage in shipment, handling, storage, accident, abuse or misuse, or if it has been used in a manner not conforming to our product instructions, has been modified in any way, or has any serial number removed or defaced. Repair or attempted repair will void this warranty. Our maximum liability under the terms of this warranty is limited to the purchase price of the product covered by the warranty.

The warranty is given under English Law. If any part of this warranty is deemed unenforceable (including any provision in which we exclude our liability to you) the enforceability of any other parts of the warranty will not be affected. These terms do not reduce your statutory rights.

For Non-UK please contact Local Luceco Office for details. **THESE TERMS AND CONDITIONS ARE SUBJECT TO CHANGE WITHOUT PRIOR NOTICE.**

**Eventually, you may want to replace this fitting;**  
**Environmental Protection W.E.E.E (Wheellie Bin Symbol for EU ONLY)**  
This symbol is known as the "crossed-out" wheellie Bin Symbol. When this symbol is marked on a product or battery, it means that it should not be disposed of with your general household waste. Some chemicals contained within electrical/electronic products or batteries can be harmful to health and the environment. Only dispose of electrical/electronic/battery items in separate collection schemes, which cater for the recovery and recycling of materials contained within. Your co-operation is vital to ensure the success of these schemes and for the protection of the environment.

<p>Tech Help Line  UK - 0330 0249 279  Non UK - +44 (0)1952 238 100  Supplied by LUCECO  Stafford Park 1, Telford, Shropshire,  ENGLAND, TF3 3BD</p>	<p>Kontakt  UK - 0330 0249 279  Non UK - +49 40 89066 878 - 29  Geliefert von Luceco  GmbH Holstenplatz 20b,  22765 Hamburg DEUTSCHLAND</p>	<p>Support Technique  UK - 0330 0249 279  Non UK - +33 (0)1 61 10 10 35  Notice fournire par  Luceco SAS France &amp; Belux 3  Rue de Courtalin, Magny Le Hongre 77700  FRANCE &amp; BELUX</p>	<p>Servicio de asistencia telefónica  UK - 0330 0249 279  Non UK - +34 93 576 83 21  Facilitado por BG Electrical Ltd  Llissamsins, 6, 08338,  Premia de Dalt Barcelona, Spain</p>	<p>Assistenza tecnica telefonica  UK - 0330 0249 279  Non UK - +39 0434 1696795  Fornito da BG Electrical Ltd Nexus  Italia, Via Amman 10 33170  Pordenone, Italy</p>
--------------------------------------------------------------------------------------------------------------------------------------------------------------------------	-----------------------------------------------------------------------------------------------------------------------------------------------------------------	------------------------------------------------------------------------------------------------------------------------------------------------------------------------------------------------------------------------	--------------------------------------------------------------------------------------------------------------------------------------------------------------------------------------------------------	-------------------------------------------------------------------------------------------------------------------------------------------------------------------------------------------

Visit our website at [www.luceco.com](http://www.luceco.com) Besuchen Sie uns auf [www.luceco.de](http://www.luceco.de) Visitez note site Web [www.luceco.fr](http://www.luceco.fr) Visite nuestra web en [www.luceco.com](http://www.luceco.com) Visitate il nostro sito [www.luceco.com](http://www.luceco.com)