

AMNIS PRO FLOODLIGHT

Product Features

- Precision one part Die cast housing for optimum thermal performance
- Alanod™ MIRO-Silver Reflector optics, for stable optics performance over life
- Narrow Forward Throw optic for high mast and area lighting, ideal to project light over great distances
- Marine grade paint as standard
- High quality European branded components
- 10 year warranty



CAT NO.	COMPATIBLE VOLTAGE	OPTIC	WATTAGE	LUMINAIRE LUMEN	EFFICACY Lm/cW
LAPL105NRD6NFT740	220-240V Head Mounted	Narrow Far Throw	910W	105000	115
LAPL105NRD6WST740		Wide Short Throw	910W	105000	115
LAPL105NRD6NST740		Narrow Short Throw	910W	105000	115
LAPL71ID4NFT740	220-240V Integral Driver	Narrow Far Throw	620W	71000	115
LAPL71ID4WST740		Wide Short Throw	620W	71000	115
LAPL71ID4NST740		Narrow Short Throw	620W	71000	115

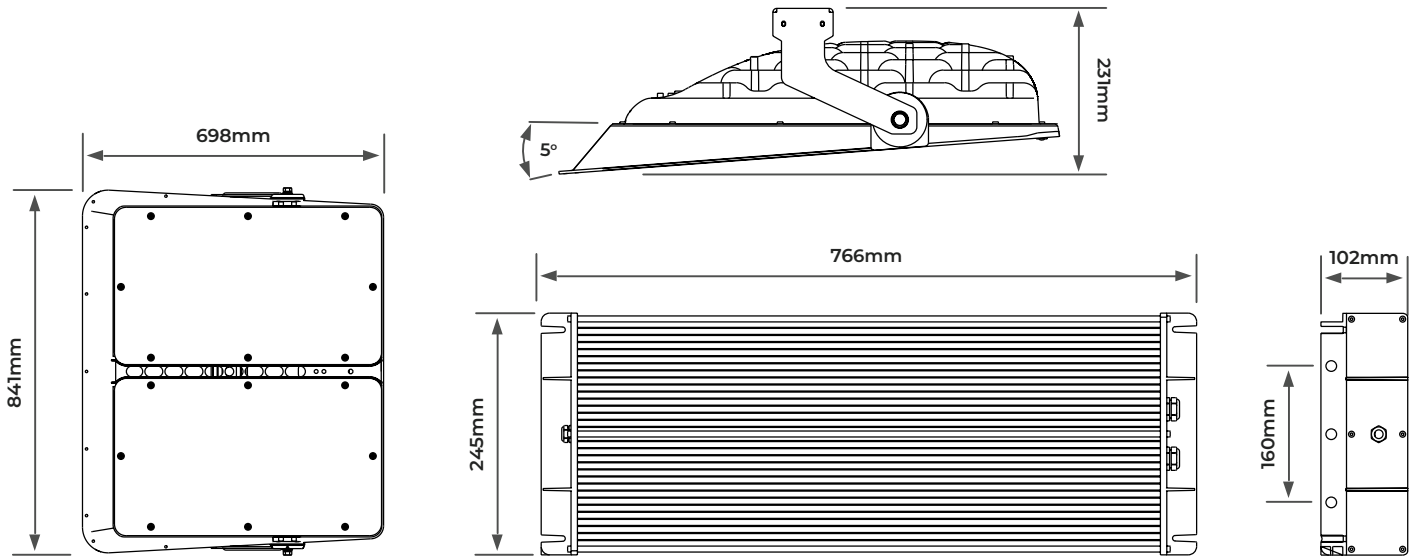
To Specify:

The luminaire shall be manufactured from high pressure die-cast aluminium. It shall have a luminaire efficacy of up to 115.4 luminaire lm/W and will be capable of producing up to 105,000 luminaire lumens at 4000K with a CRI>70. A number of optics will be available and the luminaire will be rated at IP66 and IK08.

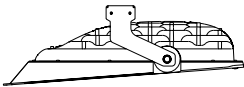
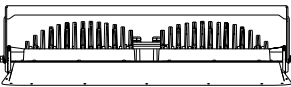
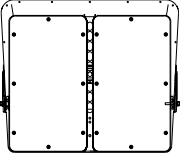
Other Colour Temperatures and CRI Options

Integral Driver Variants

DALI Dimmable / Part Night Dimming



CHECK COLUMN AND BRACKETS USED CAN MEET HEAD WEIGHT AND WINDAGE REQUIREMENTS.

<p>Windage 1 0.129m²</p> 	<p>2 0.155m²</p> 	<p>3 0.586m²</p> 
--	--	--

P/N	DRIVER FIXING CENTRES A	WEIGHT OF FLOOD FOR DOUBLE/SINGLE FIXING POINTS	WEIGHT OF GEAR BOX	INPUT VOLTAGE
LAPLxxxNRD6yyy	594mm x 245mm	28.7 / 29.8	10.1Kg	220-240V 50/60Hz
LAPLxxID4NSTyyy	N/A	29.8 / 30.9	N/A	220-240V 50/60Hz

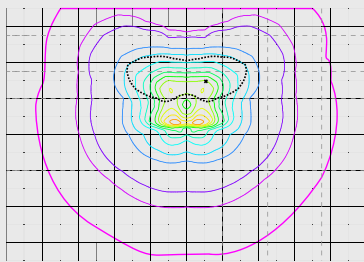
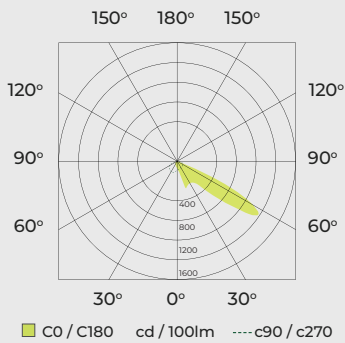
CAT NO.	DRIVER BOX USED	WEIGHT (kg)	VOLTAGE RANGE	IK RATING	TEMP RANGE (°C)	LUMINAIRE LUMENS	L / B RATED LIFE
LAPL7IID4NFT740	Integral	30.9	220-240V	IK08	-20 to 25	71000	L80 / B10
LAPL7IID4WST740	Integral	30.9	220-240V	IK08	-20 to 25	71000	L80 / B10
LAPL7IID4NST740	Integral	30.9	220-240V	IK08	-20 to 25	71000	L80 / B10
LAPL105NRD6NFT740	LAFDB2X700NS2X2450	39.9	220-240V	IK08	-20 to 30	105000	L80 / B10
LAPL105NRD6WST740	LAFDB1X1400FSW2X1450	39.9	220-240V	IK08	-20 to 30	105000	L80 / B10
LAPL105NRD6NST740	LAFDB1X1400FSW2X1450	39.9	220-240V	IK08	-20 to 30	105000	L80 / B10

LAPLI05NRD6WST740

Luminaire Performance

Light Output Ratio:	100%
Luminaire Efficacy:	114.52Lm/W
Light Distribution:	A30 \downarrow 99.8% \uparrow 0.2%
CIE Flux Codes:	27 72 99 100 100
Power	910W
Luminous Flux	71,000Lm

Luminous Intensity

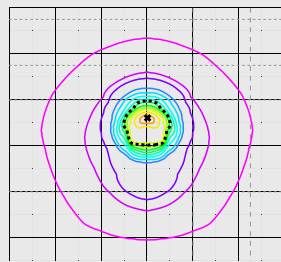
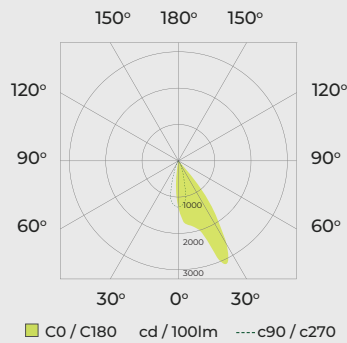


LAPLI05NRD6NFT740

Luminaire Performance

Light Output Ratio:	99.8%
Luminaire Efficacy:	115.15Lm/W
Light Distribution:	A70 \downarrow 99.9% \uparrow 0.1%
CIE Flux Codes:	94 98 100 100 100
Power	910W
Luminous Flux	104,790Lm

Luminous Intensity

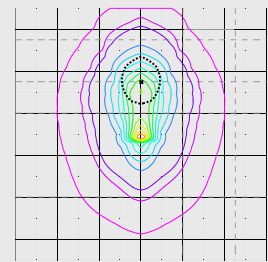
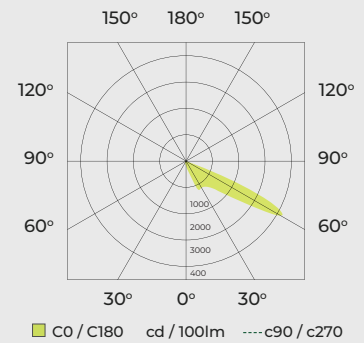


LAPLI05NRD6NST740

Luminaire Performance

Light Output Ratio:	100%
Luminaire Efficacy:	115.15Lm/W
Light Distribution:	A20 \downarrow 99.8% \uparrow 0.2%
CIE Flux Codes:	31 76 100 100 100
Power	910W
Luminous Flux	105,000Lm

Luminous Intensity



STANDARD	DESCRIPTION
EN 60598-1	Luminaires – General requirements
EN 60598-2-5	Luminaires - Floodlights
EN 55015	Limits and methods of measurement of radio disturbance characteristics of electrical lighting and similar equipment
EN 61547	Equipment for general lighting purposes – EMC immunity requirements
EN 61000-3-2	Electromagnetic compatibility (EMC) – Part 3-2: Limits - for harmonic current emissions
EN 62471	Photobiological safety of lamps and lamp systems
2002/96/EC	Waste Electrical & Electronic Equipment (WEEE)
2011/65/EU	Restriction of the use of certain Hazardous Substances in EEE (RoHS)
(EC) No 1907/2006	The Registration, Evaluation, Authorisation and Restriction of Chemicals (REACH)

LUCECO

This luminaire contains built-in LED lamps.

A++
A+
A
C
D
E

}

LED

X

The lamps cannot be changed in the luminaire.

874/2012

