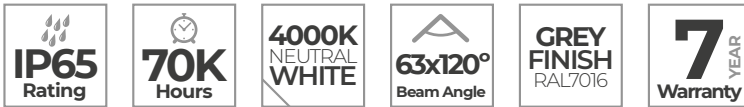


GUARDIAN PRO FLOODLIGHT

Product Features

- Horizontal mounting floodlight
- Maintenance free
- Pre-wired 1m of H05RN-F rubber cable
- "Fit and tilt" bracket for simple installation
- Tilt adjustment locks

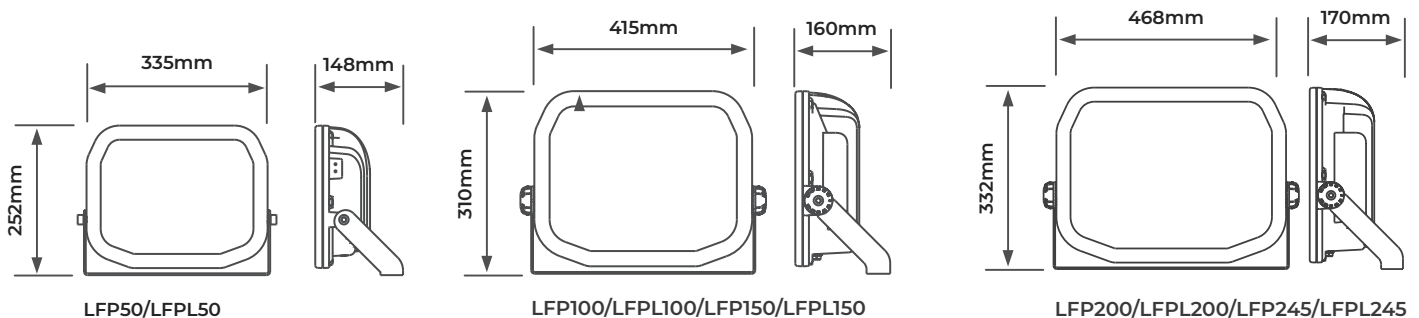


CAT NO.	DRIVER	LUMINAIRE LUMENS	WATTAGE	EFFICACY Lm/cW	PROJECTED AREA
LFP50B140F	Standard	6800	50W	136	0.038m ²
LFPL50B140F	Integrated Photocell	6800	50W	136	0.038m ²
LFP100B140F	Standard	12500	100W	125	0.052m ²
LFPL100B140F	Integrated Photocell	12500	100W	125	0.052m ²
LFPI50B140F	Standard	19200	150W	128	0.052m ²
LFPL150B140F	Integrated Photocell	19200	150W	128	0.052m ²
LFP200B140F	Standard	26000	200W	130	0.065m ²
LFPL200B140F	Integrated Photocell	26000	200W	130	0.065m ²
LFP245B140F	Standard	30000	245W	122	0.065m ²
LFPL245B140F	Integrated Photocell	30000	245W	122	0.065m ²

Note:

All figures are suggestions and it is recommended to have a full lighting design prepared to validate

Product Drawings



CAT NO.	WEIGHT (kg)	CRI	INPUT VOLTAGE	L FIXING CENTRES (MM)	W FIXING CENTRES (MM)	IK RATING	TEMP RANGE (°C)	AMBIENT TEMP RATED LIFE (°C)	L/B RATED LIFE
LFP50B140F	4.7	>70	220-240V	170 - 190	200mm Central	IK08	-20 to +25	25	L80 / B10
LFP100B140F	7	>70	220-240V	170 - 190	200mm Central	IK08	-20 to +25	25	L80 / B10
LFP160B140F	7.4	>70	110-277V	170 - 190	200mm Central	IK08	-20 to +25	25	L80 / B10
LFP230B140F	9.3	>70	110-277V	190 - 210	200mm Central	IK08	-20 to +25	25	L80 / B10
LFP245B140F	9.3	>70	110-277V	190 - 210	200mm Central	IK08	-20 to +25	25	L80 / B10

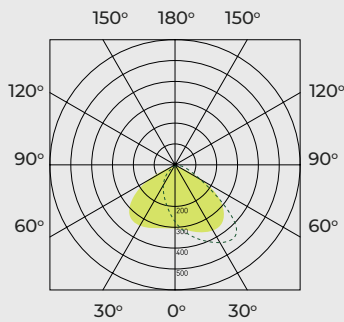
LFP50B140F

Luminaire Performance

Light Output Ratio: **100%**
 Luminaire Efficacy: **136Lm/W**
 Light Distribution: **A40 ±98.9% ±1.1%**
 CIE Flux Codes: **52 91 100 99 100**

UGR 4H 8H
 (20%, 50%, 70%) C0 / C90:

Luminous Intensity



■ C0 / C180 cd / 100lm ---- c90 / c270

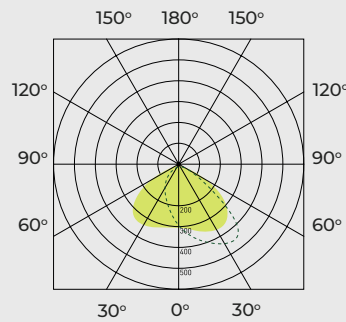
LFP100B140F

Luminaire Performance

Light Output Ratio: **100%**
 Luminaire Efficacy: **125Lm/W**
 Light Distribution: **A40 ±98.9% ±1.1%**
 CIE Flux Codes: **53 91 100 99 100**

UGR 4H 8H
 (20%, 50%, 70%) C0 / C90:

Luminous Intensity



■ C0 / C180 cd / 100lm ---- c90 / c270

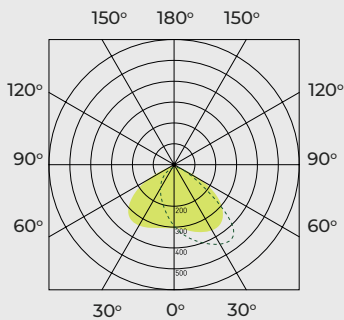
LFP150B140F

Luminaire Performance

Light Output Ratio: **100%**
 Luminaire Efficacy: **128Lm/W**
 Light Distribution: **A40 ±98.9% ±1.1%**
 CIE Flux Codes: **52 91 100 99 100**

UGR 4H 8H
 (20%, 50%, 70%) C0 / C90:

Luminous Intensity



■ C0 / C180 cd / 100lm ---- c90 / c270

STANDARD	DESCRIPTION
EN 60598-1	Luminaires – General requirements
EN 60598-2-5	Luminaires - Floodlights
EN 61347-1	Lamp controlgear - Part 1: General and safety requirements
EN 61347-2-13	Lamp controlgear - Part 2-13 : Particular requirements for d.c. or a.c. supplied electronic controlgear for LED modules
EN 55015	Limits and methods of measurement of radio disturbance characteristics of electrical lighting and similar equipment
EN 61547	Equipment for general lighting purposes – EMC immunity requirements
EN 61000-3-2	Electromagnetic compatibility (EMC) – Part 3-2: Limits - for harmonic current emissions
EN 62471	Photobiological safety of lamps and lamp systems
2002/96/EC	Waste Electrical & Electronic Equipment (WEEE)
2011/65/EU	Restriction of the use of certain Hazardous Substances in EEE (RoHS)
(EC) No 1907/2006	The Registration, Evaluation, Authorisation and Restriction of Chemicals (REACH)

LUCECO

This luminaire contains built-in LED lamps.

A++
A+
A
B
C
D
E

}

LED

The lamps cannot be changed in the luminaire.

874/2012

