

SINGLE CIRCUIT TRACK

Product Features

- Decorative single circuit track spots in a matt white finish
- One and two meter track lengths available with connectors and other accessories
- 12W high output version complete with adjustable beam angle between 24 and 60 degrees
- 7W version complete with fixed 24 degree beam angle



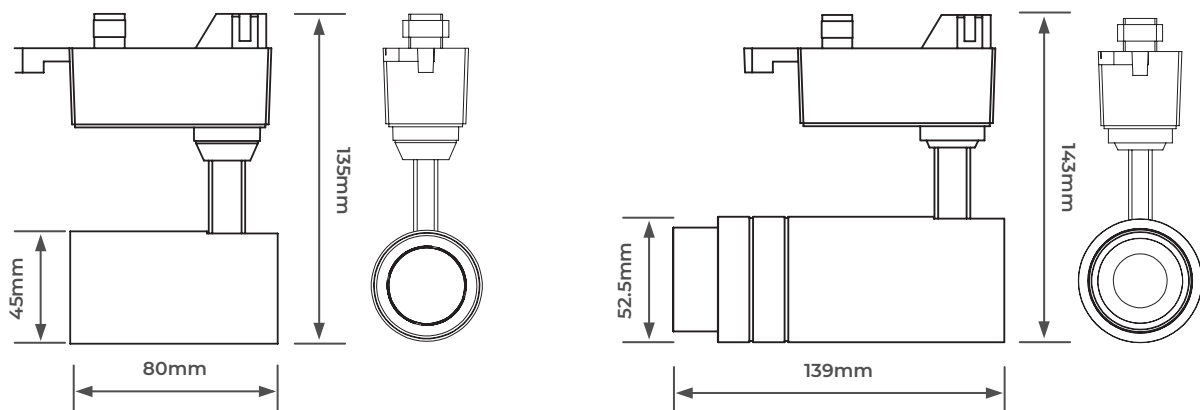
| CAT NO. | DRIVER | TYPE | LUMINAIRE LUMENS | WATTAGE |
|-----------|--------------|------------------|------------------|---------|
| LSITW4F40 | Fixed Output | Fixed Beam Angle | 450 | 7W |
| LSITW9A40 | Fixed Output | Fixed Beam Angle | 900 | 12W |



Product Accessories

| CAT NO. | DESCRIPTION | WEIGHT |
|----------|---------------------|---------|
| LT1MWIT | Track 1000mm | 0.46kg |
| LT2MWIT | Track 2000mm | 0.95kg |
| LTSCWIT | Straight Connector | 0.105kg |
| LT90WLIT | 90 Degree Connector | 0.105kg |
| LTLEWIT | Live Feed | 0.058kg |
| LTLECWIT | End Cap | 0.004kg |

Product Drawing



| CAT NO. | WEIGHT (kg) | EFFICACY (Lm/W) | CRI | FREQUENCY (Hz) | IK RATING | TEMPERATURE RANGE (°C) | AMBIENT TEMP RATED LIFE (°C) | L/B RATED LIFE |
|-----------|-------------|-----------------|-----|----------------|-----------|------------------------|------------------------------|----------------|
| LSITW4F40 | 0.265 | 64 | >80 | 50-60 | IK08 | -20 to +45 | 25 | L70 / B50 |
| LSITW9A40 | 0.47 | 75 | >80 | 50-60 | IK08 | -20 to +45 | 25 | L70 / B50 |

| STANDARD | DESCRIPTION |
|--------------|--|
| EN 60598-1 | Luminaires – General requirements |
| EN 60598-2-1 | Luminaires – Fixed general purpose |
| EN 61000-3-2 | Electromagnetic compatibility (EMC) – Part 3-2: Limits - for harmonic current emissions |
| EN 61000-3-3 | Limits - Limitation of voltage changes, voltage fluctuations and flicker in public low-voltage supply systems, for equipment with rated current ≤ 16 A per phase and not subject to conditional connection |
| EN 61547 | Equipment for general lighting purposes – EMC immunity requirements |
| EN 55015 | Limits and methods of measurement of radio disturbance characteristics of electrical lighting and similar equipment |

LUCECO

This luminaire contains built-in LED lamps.

A++

A+

A

C

D

E

} LED

X

The lamps cannot be changed in the luminaire.

874/2012

