

LUXPACK BATTEN

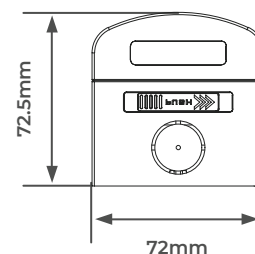
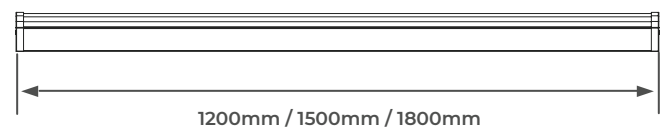
Product Features

- Surface mounting linear batten offering equivalent performance in 1200mm, 1500mm and 1800mm lengths
- Robust iron constructed body with BESA fixing points and large opal polycarbonate diffuser for improved uniformity
- Quick slide release tabs for fast and easy installation of plug and play hinged LED diffuser
- Suitable for use with batten mount PIR sensor



CAT NO.	DRIVER	LUMINAIRE LUMENS	WATTAGE	LENGHT
LXB12W24L40	Fixed Output	2400	20W	1200mm
LXB12W24E40	Fixed Output + Emergency	2400	20W	1200mm
LXB12W48L40	Fixed Output	4800	40W	1200mm
LXB12W48E40	Fixed Output + Emergency	4800	40W	1200mm
LXB15W36L40	Fixed Output	3600	30W	1500mm
LXB15W36E40	Fixed Output + Emergency	3600	30W	1500mm
LXB15W72L40	Fixed Output	7200	60W	1500mm
LXB15W72E40	Fixed Output + Emergency	7200	60W	1500mm
LXB18W48L40	Fixed Output	4800	40W	1800mm
LXB18W48E40	Fixed Output + Emergency	4800	40W	1800mm
LXB18W95L40	Fixed Output	9500	67W	1800mm
LXB18W95E40	Fixed Output + Emergency	9500	67W	1800mm

Product Drawing



Product Accessories

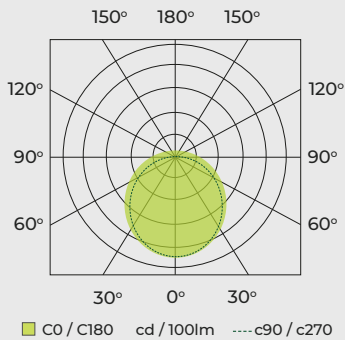
CAT NO.	DESCRIPTION
LPC3BSP65	Batten Mount PIR Sensor

CAT NO.	EFFICACY (Lm/W)	CRI	FREQUENCY (Hz)	IK RATING	TEMP RANGE (°C)	AMBIENT TEMP RATED LIFE (°C)	L/B RATED LIFE	FIXING CENTRES
LXB12W24L40	120	>80	50-60	IK04	-20 to +40	25	L70 / B50	600mm BESA
LXB12W24E40	120	>80	50-60	IK04	-20 to +40	25	L70 / B50	600mm BESA
LXB12W48L40	120	>80	50-60	IK04	-20 to +40	25	L70 / B50	600mm BESA
LXB12W48E40	120	>80	50-60	IK04	-20 to +40	25	L70 / B50	600mm BESA
LXB15W36L40	120	>80	50-60	IK04	-20 to +40	25	L70 / B50	600mm BESA
LXB15W36E40	120	>80	50-60	IK04	-20 to +40	25	L70 / B50	600mm BESA
LXB15W72L40	120	>80	50-60	IK04	-20 to +40	25	L70 / B50	600mm BESA
LXB15W72E40	120	>80	50-60	IK04	-20 to +40	25	L70 / B50	600mm BESA
LXB18W48L40	120	>80	50-60	IK04	-20 to +40	25	L70 / B50	600mm BESA
LXB18W48E40	120	>80	50-60	IK04	-20 to +40	25	L70 / B50	600mm BESA
LXB18W95L40	142	>80	50-60	IK04	-20 to +40	25	L70 / B50	600mm BESA
LXB18W95E40	142	>80	50-60	IK04	-20 to +40	25	L70 / B50	600mm BESA

LXB12W24L40 Luminaire Performance

Luminaire Efficiency: **100.13%**
 Luminaire Efficacy: **120lm/W**
 Classification: **B31** \downarrow 89.2% \uparrow 10.8%
 CIE Flux Codes: **42 72 91 89 100**
 UGR 4H 8H (20%, 50%, 70%) C0 / C90: **26.1 / 22**

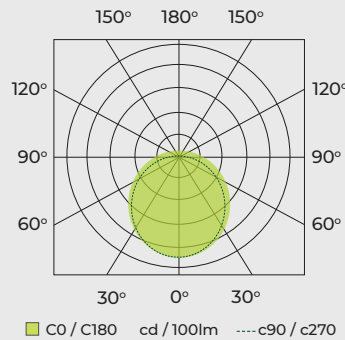
Luminous Intensity



LXB15W36L40 Luminaire Performance

Luminaire Efficiency: **100.13%**
 Luminaire Efficacy: **120lm/W**
 Classification: **B31** \downarrow 89.3% \uparrow 10.7%
 CIE Flux Codes: **42 72 91 89 100**
 UGR 4H 8H (20%, 50%, 70%) C0 / C90: **26.8 / 22.8**

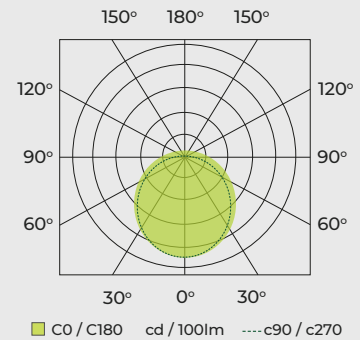
Luminous Intensity



LXB18W48L40 Luminaire Performance

Luminaire Efficiency: **100%**
 Luminaire Efficacy: **120lm/W**
 Classification: **B31** \downarrow 89.3% \uparrow 10.7%
 CIE Flux Codes: **42 72 91 89 100**
 UGR 4H 8H (20%, 50%, 70%) C0 / C90: **27.1 / 23.1**

Luminous Intensity



STANDARD	DESCRIPTION
EN 60598-1	Luminaires – General requirements
EN 60598-2-1	Luminaires – Fixed general purpose
EN 60598-2-22	Luminaires – Emergency
EN 61000-3-2	Electromagnetic compatibility (EMC) – Part 3-2: Limits - for harmonic current emissions
EN 61000-3-3	Limits - Limitation of voltage changes, voltage fluctuations and flicker in public low-voltage supply systems, for equipment with rated current \leq 16 A per phase and not subject to conditional connection
EN 61547	Equipment for general lighting purposes – EMC immunity requirements
EN 55015	Limits and methods of measurement of radio disturbance characteristics of electrical lighting and similar equipment

LUCECO

This luminaire contains built-in LED lamps.

A++
A+
A
B
C
D
E } LED

The lamps cannot be changed in the luminaire.

874/2012

