

## FORTIS WALLPACK

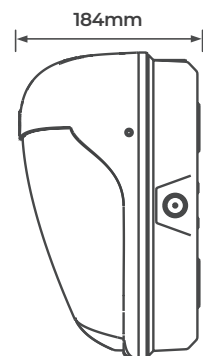
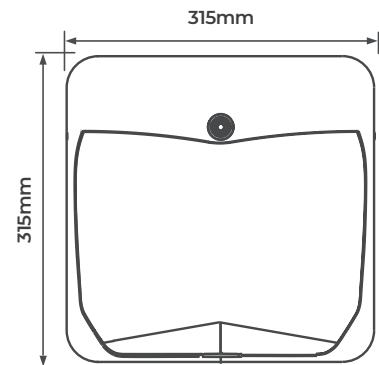
### Product Features

- Die-cast aluminium body and polycarbonate lens
- 1500-3500 Lumens with 6-1 space to height ratio designed to replace 70W Son lamps for building perimeter illumination
- Wall mounted with hinged gear tray for ease of installation



CAT NO.	DRIVER	LUMINAIRE LUMENS	WATTAGE	EFFICACY Lm/cW
LWF15S40	Fixed Output	1500	15W	100
LWF15E40	Fixed Output + Emergency	1500	15W	100
LWF15D40	Digital Dimmable	1500	15W	100
LWF15ED40	Digital Dimmable + Emergency	1500	15W	100
LWF15S40PC	Fixed Output + Photocell	1500	15W	100
LWF15E40PC	Integral Photocell and 3HR Emergency	1500	15W	100
LWF35S40	Fixed Output	3500	35W	100
LWF35E40	Fixed Output + Emergency	3500	35W	100
LWF35D40	Digital Dimmable	3500	35W	100
LWF35ED40	Digital Dimmable + Emergency	3500	35W	100
LWF35S40PC	Fixed Output + Photocell	3500	35W	100
LWF35E40PC	Integral Photocell and 3HR Emergency	3500	35W	100

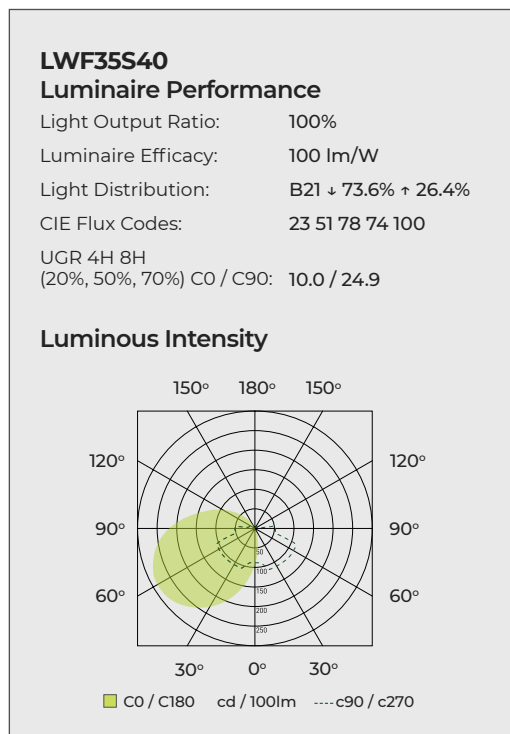
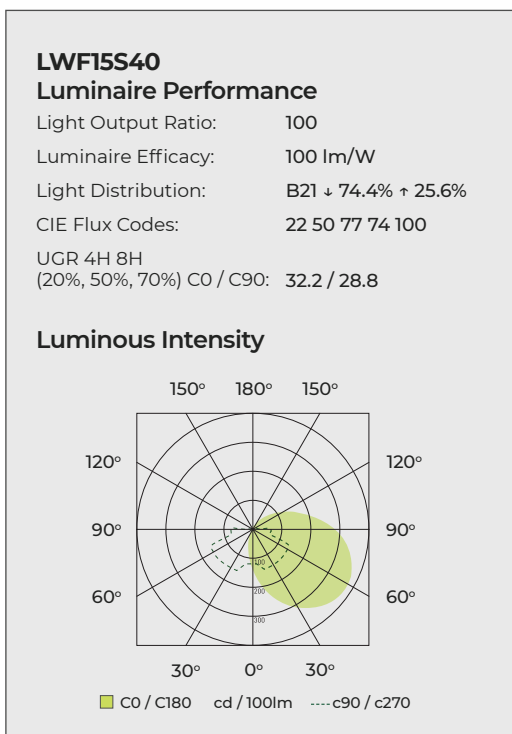
### Product Drawing



### To Specify:

Wall mounted wallpack designed to replace HID. Die-cast aluminium body with polycarbonate lens

CAT NO.	WEIGHT (kg)	FIXING CENTRE L / W mm	CRI	FREQUENCY (Hz)	SDCM	IK RATING	TEMP RANGE (°C)	AMBIENT TEMP RATED LIFE (°C)	L/B RATED LIFE
LWF15S40	3.0	L210 / W244	>80	50-60	<6	IK08	-20 to +25	25	L70 / B10
LWF15E40	3.2	L210 / W244	>80	50-60	<6	IK08	0 to +25	25	L70 / B10
LWF15D40	3.0	L210 / W244	>80	50-60	<6	IK08	-20 to +25	25	L70 / B10
LWF15ED40	3.2	L210 / W244	>80	50-60	<6	IK08	0 to +25	25	L70 / B10
LWF15S40PC	3.1	L210 / W244	>80	50-60	<6	IK08	-20 to +25	25	L70 / B10
LWF15E40PC	3.3	L210 / W244	>80	50-60	<6	IK08	0 to +25	25	L70 / B10
LWF35S40	3.0	L210 / W244	>80	50-60	<6	IK08	-20 to +25	25	L70 / B10
LWF35E40	3.2	L210 / W244	>80	50-60	<6	IK08	0 to +25	25	L70 / B10
LWF35D40	3.0	L210 / W244	>80	50-60	<6	IK08	-20 to +25	25	L70 / B10
LWF35ED40	3.2	L210 / W244	>80	50-60	<6	IK08	0 to +25	25	L70 / B10
LWF35S40PC	3.1	L210 / W244	>80	50-60	<6	IK08	-20 to +25	25	L70 / B10
LWF35E40PC	3.3	L210 / W244	>80	50-60	<6	IK08	0 to +25	25	L70 / B10



STANDARD	DESCRIPTION
EN 60598-1	Luminaires – General requirements
EN 60598-2-1	Luminaires – Fixed general purpose
EN 61000-3-2	Electromagnetic compatibility (EMC) – Part 3-2: Limits - for harmonic current emissions
EN 61000-3-3	Limits - Limitation of voltage changes, voltage fluctuations and flicker in public low-voltage supply systems, for equipment with rated current ≤ 16 A per phase and not subject to conditional connection
EN 61547	Equipment for general lighting purposes – EMC immunity requirements
EN 55015	Limits and methods of measurement of radio disturbance characteristics of electrical lighting and similar equipment

**LUCECO**

This luminaire contains built-in LED lamps.

**A++**  
**A+**  
**A**  
**B**  
**C**  
**D**  
**E**

} LED

The lamps cannot be changed in the luminaire.

874/2012

