

PALLADIUM DOWNLIGHT

Utilising CrystallineOptics™ Palladium offers low-glare illumination

- With a die-cast aluminum heat sink and attachments this modular design allows for all interior decors
- 510 to 730 Lumens, efficacy of up to 94Llm/cW
- Recessed mounted with spring steel clips allows installation into plasterboard and suspended ceiling systems

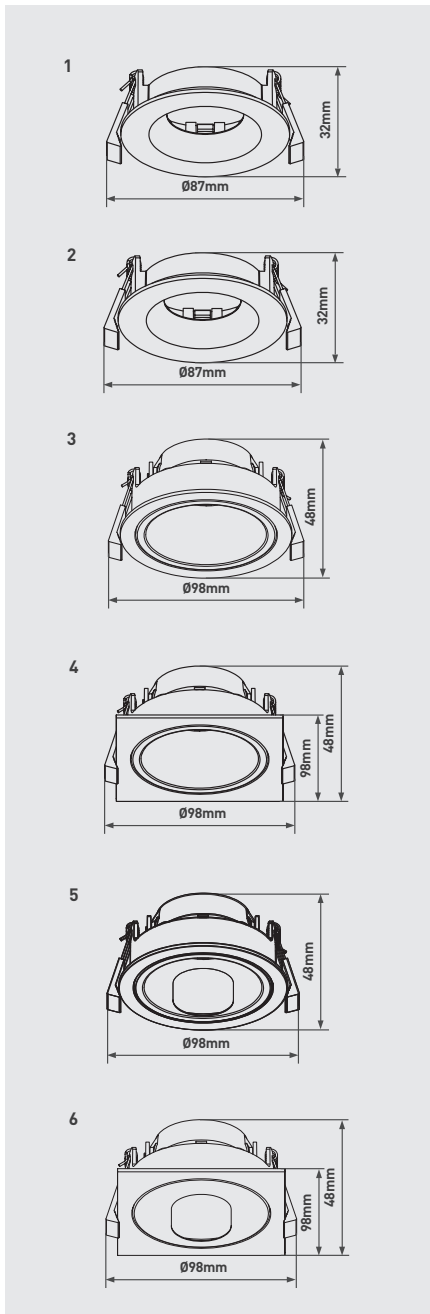


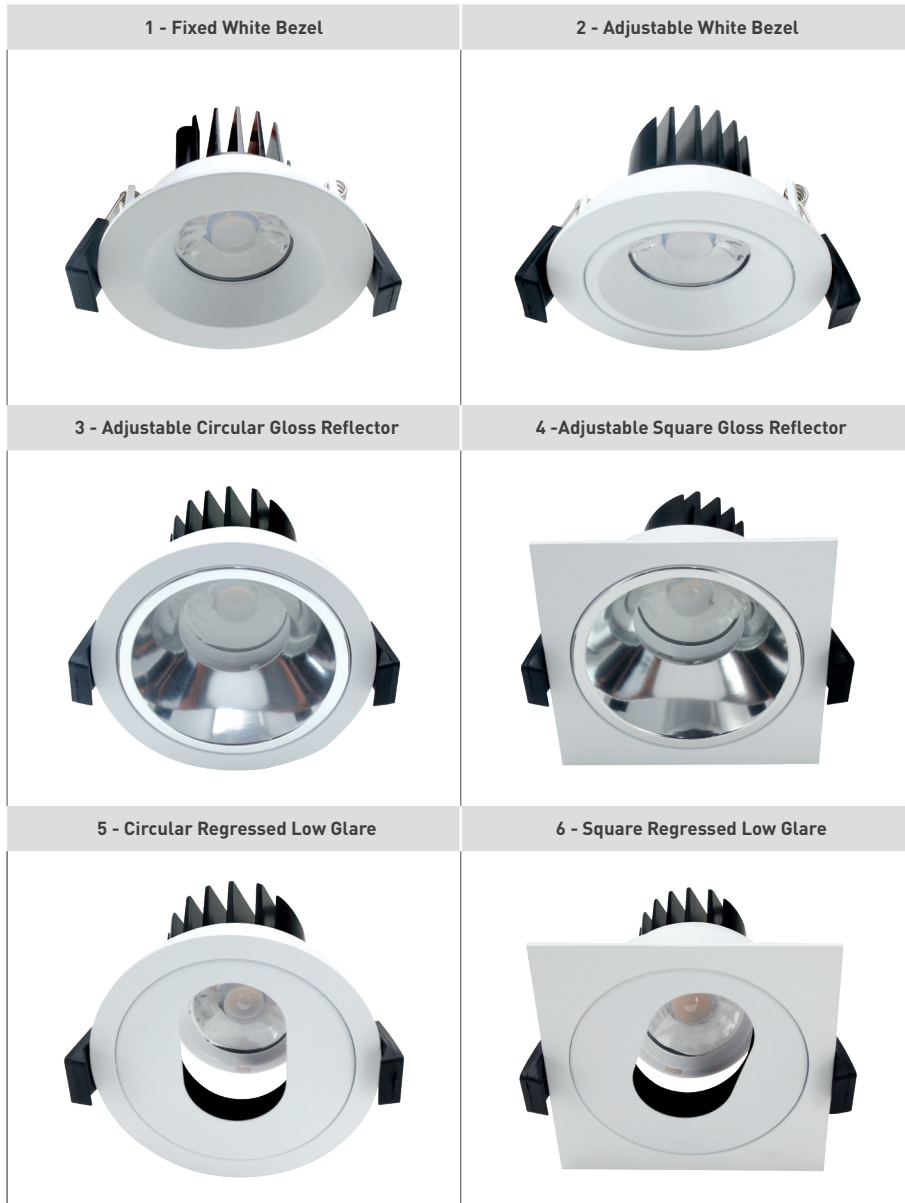
6W FIXED OUTPUT

IMAGE	CAT NO.	SIZE	LUMINAIRE LUMENS	WATTAGE	EFFICACY LLM/CW
1	LDP8WF6WS40	87mm	560	6W	94
2	LDP8WA6WS40	87mm	560	6W	94
3	LDP8WA6GS40	98mm	510	6W	85
4	LDP8WASQ6GS40	98mm	510	6W	85
5	LDP8WA6BS40	98mm	510	6W	85
6	LDP8WASQ6BS40	98mm	510	6W	85

8W FIXED OUTPUT

IMAGE	CAT NO.	SIZE	LUMINAIRE LUMENS	WATTAGE	EFFICACY LLM/CW
1	LDP8WF8WS40	87mm	730	8W	92
2	LDP8WA8WS40	87mm	730	8W	92
3	LDP8WA8GS40	98mm	660	8W	83
4	LDP8WASQ8GS40	98mm	660	8W	83
5	LDP8WA8BS40	98mm	660	8W	83
6	LDP8WASQ8BS40	98mm	660	8W	83





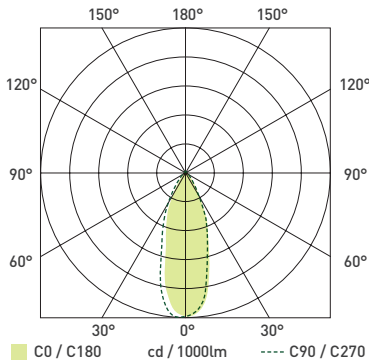
	LENGTH / DIA (mm)	WIDTH (mm)	HEIGHT / DEPTH (mm)	WEIGHT (kg)	L FIXING CENTRES (mm)	W FIXING CENTRES (mm)	CEILING CUTOUT (mm)	LUMINAIRE LUMENS (Lm)	LUMINAIRE WATTAGE (W)	EFFICACY (Lm/W)	CCT (K)	CRI	UGR	IP RATED	IK RATED	GLOW WIRE (°C)	RAL COLOUR	TEMP RANGE (°C)	RATED LIFE (HR)	AMBIENT TEMP. RATED LIFE (°C)	L AT RATED LIFE	B AT RATED LIFE	VOLTAGE RANGE	FREQUENCY	EMERGENCY PACK CODE	WARRANTY (YEARS)
LDP8WF6WS40	87	N/A	60	0.22	N/A	N/A	76	560	6	94	4000	>80	≤14	IP44	N/A	N/A	N/A	-20 to +30	50,000	25	70	50	220-240V	50hz	N/A	3
LDP8WA6WS40	87	N/A	60	0.24	N/A	N/A	76	560	6	94	4000	>80	≤14	IP44	N/A	N/A	N/A	-20 to +30	50,000	25	70	50	220-240V	50hz	N/A	3
LDP8WA6GS40	98	N/A	85	0.27	N/A	N/A	86	510	6	85	4000	>80	≤23	IP44	N/A	N/A	N/A	-20 to +30	50,000	25	70	50	220-240V	50hz	N/A	3
LDP8WASQ6GS40	98	N/A	85	0.28	N/A	N/A	86	510	6	85	4000	>80	≤14	IP44	N/A	N/A	N/A	-20 to +30	50,000	25	70	50	220-240V	50hz	N/A	3
LDP8WA6BS40	98	N/A	85	0.26	N/A	N/A	86	510	6	85	4000	>80	≤14	IP44	N/A	N/A	N/A	-20 to +30	50,000	25	70	50	220-240V	50hz	N/A	3
LDP8WASQ6BS40	98	N/A	85	0.27	N/A	N/A	86	510	6	85	4000	>80	≤23	IP44	N/A	N/A	N/A	-20 to +30	50,000	25	70	50	220-240V	50hz	N/A	3
LDP8WF8WS40	87	N/A	60	0.22	N/A	N/A	76	730	8	92	4000	>80	≤15	IP44	N/A	N/A	N/A	-20 to +30	50,000	25	70	50	220-240V	50hz	N/A	3
LDP8WA8WS40	87	N/A	60	0.24	N/A	N/A	76	730	8	92	4000	>80	≤15	IP44	N/A	N/A	N/A	-20 to +30	50,000	25	70	50	220-240V	50hz	N/A	3
LDP8WA8GS40	98	N/A	85	0.27	N/A	N/A	86	660	8	83	4000	>80	≤24	IP44	N/A	N/A	N/A	-20 to +30	50,000	25	70	50	220-240V	50hz	N/A	3
LDP8WASQ8GS40	98	N/A	85	0.28	N/A	N/A	86	660	8	83	4000	>80	≤15	IP44	N/A	N/A	N/A	-20 to +30	50,000	25	70	50	220-240V	50hz	N/A	3
LDP8WA8BS40	98	N/A	85	0.26	N/A	N/A	86	660	8	83	4000	>80	≤15	IP44	N/A	N/A	N/A	-20 to +30	50,000	25	70	50	220-240V	50hz	N/A	3
LDP8WASQ8BS40	98	N/A	85	0.27	N/A	N/A	86	660	8	83	4000	>80	≤24	IP44	N/A	N/A	N/A	-20 to +30	50,000	25	70	50	220-240V	50hz	N/A	3

LDP8WA6GS40

LUMINAIRE PERFORMANCE

Light Output Ratio: 100%
 Luminaire Efficacy: 85 lm/W
 Light Distribution: A70 ↓98.9% ↑1.1%
 CIE Flux Codes: 96 100 100 99 100
 UGR 4H 8H (20%, 50%, 70%)C0 / C90: 13.6 / 12.9

LUMINOUS INTENSITY

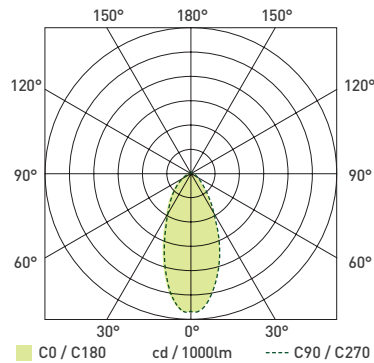


LDP8WA6WS40

LUMINAIRE PERFORMANCE

Light Output Ratio: 100%
 Luminaire Efficacy: 93.33 lm/W
 Light Distribution: A60 ↓99.7% ↑0.3%
 CIE Flux Codes: 77 96 100 100 100
 UGR 4H 8H (20%, 50%, 70%)C0 / C90: 23.3 / 23.1

LUMINOUS INTENSITY

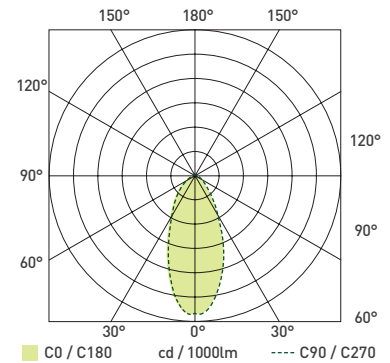


LDP8WASQ6GS40

LUMINAIRE PERFORMANCE

Light Output Ratio: 100%
 Luminaire Efficacy: 85 lm/W
 Light Distribution: A70 ↓98.8% ↑1.2%
 CIE Flux Codes: 96 100 100 99 100
 UGR 4H 8H (20%, 50%, 70%)C0 / C90: 13.9 / 12.3

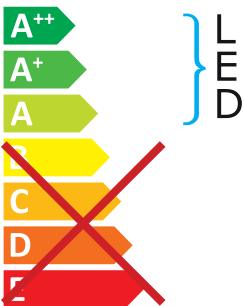
LUMINOUS INTENSITY



LUCECO



This luminaire contains built-in LED lamps.



LED

The lamps cannot be changed in the luminaire.

874/2012



STANDARDS

EN 60598-1	Luminaires - General requirements
EN 60598-2-2	Luminaires - Recessed
EN 60598-2-22	Luminaires - Emergency
EN 61347-1	Lamp controlgear - Part 1: General and safety requirements
EN 61347-2-13	Lamp controlgear - Part 2-13 : Particular requirements for d.c. or a.c. supplied electronic controlgear for LED modules
EN 55015	Limits and methods of measurement of radio disturbance characteristics of electrical lighting and similar equipment
EN 61547	Equipment for general lighting purposes - EMC immunity requirements
EN 61000-3-2	Electromagnetic compatibility (EMC) - Part 3-2: Limits - for harmonic current emissions
EN 62471	Photobiological safety of lamps and lamp systems
2002/96/EC	Waste Electrical & Electronic Equipment (WEEE)
2011/65/EU	Restriction of the use of certain Hazardous Substances in EEE (RoHS)
(EC) No 1907/2006	The Registration, Evaluation, Authorisation and Restriction of Chemicals (REACH)

