

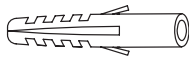
### EXTERIOR DECORATIVE E27 COACH LANTERN WITH PIR MOTION SENSOR



#### ACCESSORIES:



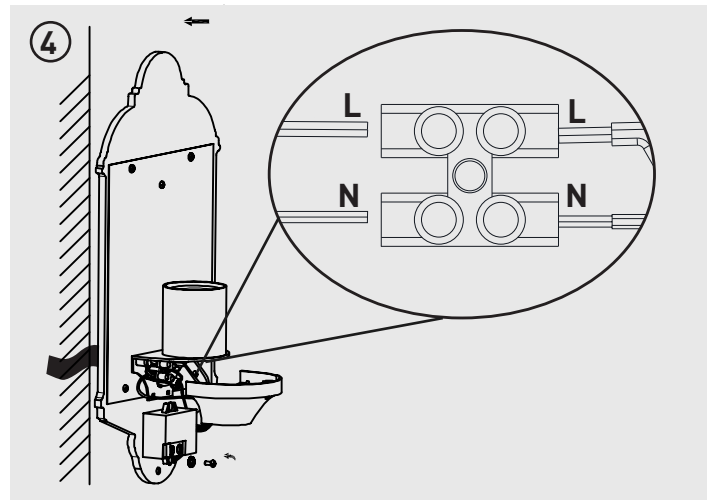
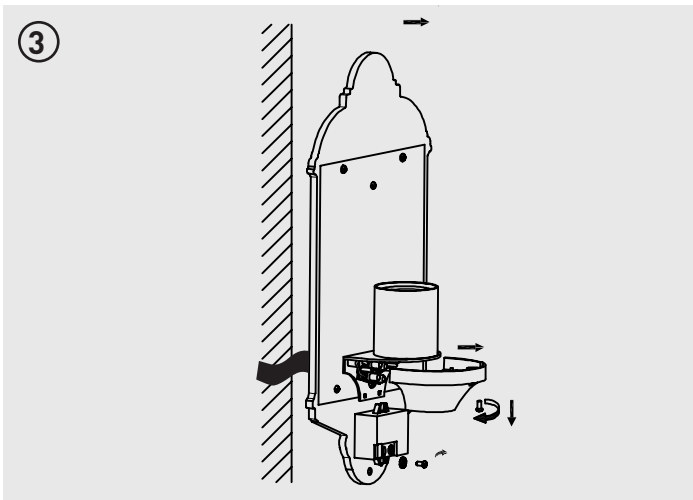
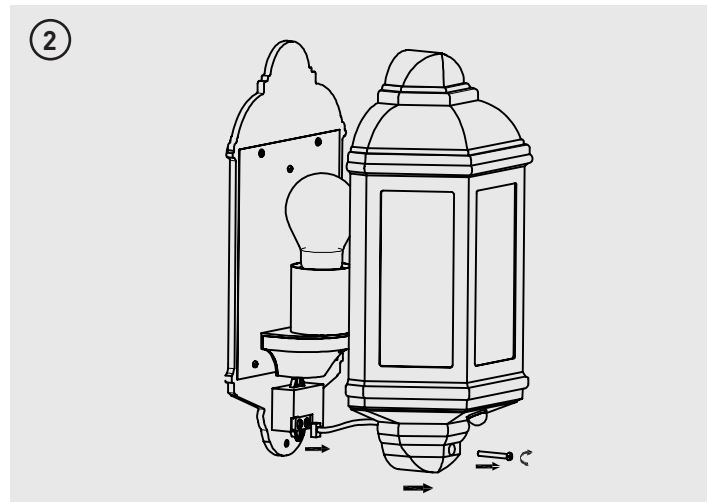
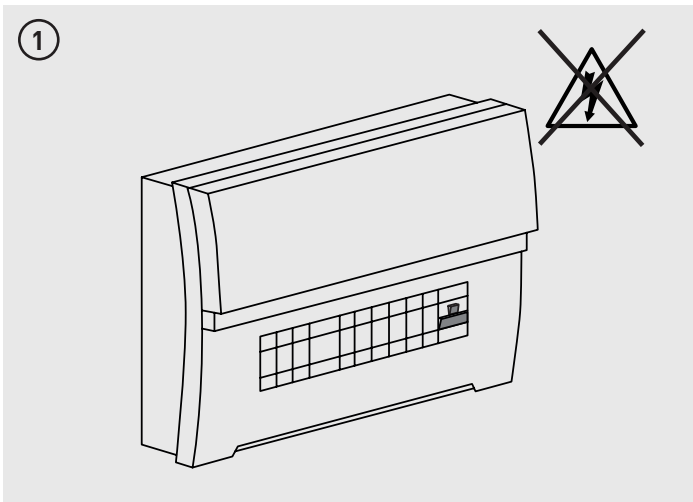
x2



x2



x2



#### Tech Help Line

UK - 0330 0249 279

Non UK - +44 (0)1952 238 100

Supplied by LUCECO

Stafford Park 1, Telford, Shropshire,  
England, TF3 3BD

#### Kontakt

UK - 0330 0249 279

Non UK - +49 40 89066 878 - 29

Geliefert von Luceco GmbH  
Holstenplatz 20b,  
22765 Hamburg DEUTSCHLAND

#### Support Technique

UK - 0330 0249 279

Non UK - +33 (0)1 61 10 10 35

Notice fournie par  
Luceco SAS France & Belux 3  
Rue de Courtalin, Magny Le Hongre 77700  
FRANCE & BELUX

#### Servicio de asistencia telefónica

UK - 0330 0249 279

Non UK - +34 93 576 83 21

Facilitado por BG Electrical Ltd  
Liessamins, 6, 08338,  
Premia de Datt Barcelona, Spain

#### Assistenza tecnica telefonica

UK - 0330 0249 279

Non UK - +39 0434 1696795

Fornito da BG Electrical Ltd Nexus  
Italia, Via Amman 10 33170  
Pordenone, Italy

