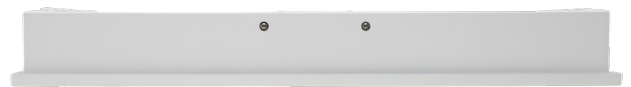
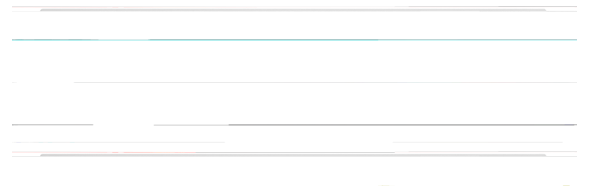


## EPSILON OPAL

### Product Features

Direct / In-direct recessed luminaire for low glare applications

- White painted steel body with microprism optic which can assist with LG7 compliant designs or opal diffuser
- 595mm x 595mm, 2500 to 3500 Lumens, efficacy up to 122Llm/cW
- Recessed mounted in 15 or 24mm exposed T bar Ceiling.



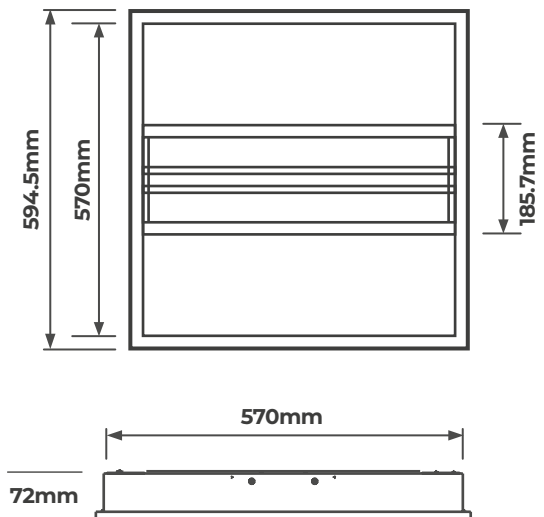
CAT NO.	DRIVER	LUMINAIRE LUMENS	WATTAGE	EFFICACY Llm/cW
LEP66WO22S40	Standard	2200	18W	122
LEP66WO22D40	Digital Dimmable	2200	18W	122
LEP66WO30S40	Standard	3000	26W	115
LEP66WO30D40	Digital Dimmable	3000	26W	115
LEP66WO36S40	Standard	3600	33W	109
LEP66WO36D40	Digital Dimmable	3600	33W	109

### To Specify:

Direct: Indirect recessed luminaire with efficacy up to 122Llm/cW. White painted steel body with opal diffuser providing a unified glare rating <22

PRODUCT OPTIONS	
Remote Emergency Pack	LED3EP80
Self Test Remote Emergency Pack	LED3EP80EST
DALI Addressable Emergency Pack	LED3EP80DED
Lite IP Connectivity	Insert <b>W</b> , eg. LEP66WO25 <b>W</b> 40
Lite IP Connectivity with PIR Sensor	Insert <b>W</b> , eg. LEP66WO25 <b>W</b> 40 <b>PIR</b>

### Product Drawing



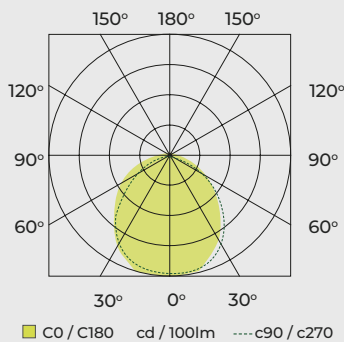
CAT NO.	WEIGHT (kg)	CRI	FREQUENCY (Hz)	SDCM	UGR	IK RATING	TEMP RANGE (°C)	AMBIENT TEMP RATED LIFE (°C)	L/B RATED LIFE
LEP66W022S40	4.7	>80	50-60	<6	<20	IK04	-20 to +25	25	L70 / B10
LEP66W022D40	4.8	>80	50-60	<6	<20	IK04	-20 to +25	25	L70 / B10
LEP66W030S40	4.7	>80	50-60	<6	<21	IK04	-20 to +25	25	L70 / B10
LEP66W030D40	4.8	>80	50-60	<6	<21	IK04	-20 to +25	25	L70 / B10
LEP66W036S40	4.7	>80	50-60	<6	<22	IK04	-20 to +25	25	L70 / B10
LEP66W036D40	4.8	>80	50-60	<6	<22	IK04	-20 to +25	25	L70 / B10

### LEP66W022S40

#### Luminaire Performance

Light Output Ratio: 100%  
 Luminaire Efficacy: 127.2789 lm/W  
 Light Distribution: A40 ±100% ±0%  
 CIE Flux Codes: 55 85 98 100 100  
 UGR 4H 8H  
 (20%, 50%, 70%) C0 / C90: 18.3 / 19.0

#### Luminous Intensity

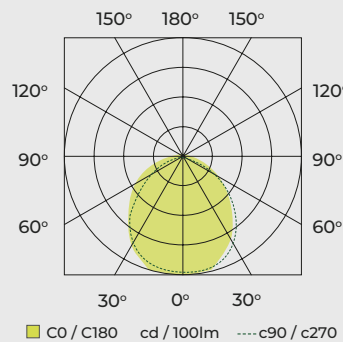


### LEP66W030S40

#### Luminaire Performance

Light Output Ratio: 100%  
 Luminaire Efficacy: 109.09 lm/W  
 Light Distribution: A40 ±100% ±0%  
 CIE Flux Codes: 44 76 96 100 100  
 UGR 4H 8H  
 (20%, 50%, 70%) C0 / C90: 22.8 / 18.8

#### Luminous Intensity



**LUCECO**

This luminaire contains built-in LED lamps.

A++

A+

A

~~B~~

~~C~~

~~D~~

~~E~~

}

LED

The lamps cannot be changed in the luminaire.

874/2012

STANDARD	DESCRIPTION
EN 60598-1	Luminaires – General requirements
EN 60598-2-2	Luminaires – Recessed
EN 60598-2-22	Luminaires – Emergency
EN 61000-3-2	Electromagnetic compatibility (EMC) – Part 3-2: Limits - for harmonic current emissions
EN 61000-3-3	Limits - Limitation of voltage changes, voltage fluctuations and flicker in public low-voltage supply systems, for equipment with rated current ≤ 16 A per phase and not subject to conditional connection
EN 61547	Equipment for general lighting purposes – EMC immunity requirements
EN 55015	Limits and methods of measurement of radio disturbance characteristics of electrical lighting and similar equipment

