

PLATINUM DOWNLIGHT

Product Features

- High performance downlight luminaire
- Die-cast aluminium heat sink and bezel design provides a sturdy construction
- 1250 to 6600 lumens, efficacy of up to 131Llm/cW
- With a unique swing tab design this recessed luminaire fits into 205mm cut-out with ease
- Shallow depth removable magnetic bezel



CAT NO.	DRIVER	LUMINAIRE LUMENS	WATTAGE	EFFICACY Llm/cW
LDP20W12GS40	Fixed Output	1250	9.5W	131
LDP20W12GD40	Digital Dimmable	1250	9.5W	131
LDP20W16GS40	Fixed Output	1650	13W	126
LDP20W16GD40	Digital Dimmable	1650	13W	126
LDP20W25GS40	Fixed Output	2500	19W	131
LDP20W25GD40	Digital Dimmable	2500	19W	131
LDP20W33GS40	Fixed Output	3300	26W	126
LDP20W33GD40	Digital Dimmable	3300	26W	126
LDP20W66GS40	Fixed Output	6600	53W	124
LDP20W66GD40	Digital Dimmable	6600	53W	124

CAT NO.	DRIVER	LUMINAIRE LUMENS	WATTAGE	EFFICACY Llm/cW
LDP20W12MS40	Fixed Output	1250	9.5W	131
LDP20W12MD40	Digital Dimmable	1250	9.5W	131
LDP20W16MS40	Fixed Output	1650	13W	126
LDP20W16MD40	Digital Dimmable	1650	13W	126
LDP20W25MS40	Fixed Output	2500	19W	131
LDP20W25MD40	Digital Dimmable	2500	19W	131
LDP20W33MS40	Fixed Output	3300	26W	126
LDP20W33MD40	Digital Dimmable	3300	26W	126
LDP20W66MS40	Fixed Output	6600	53W	124
LDP20W66MD40	Digital Dimmable	6600	53W	124

PRODUCT OPTIONS

Remote Emergency Pack	LED3EP80
Self Test Remote Emergency Pack	LED3EP80EST
DALI Addressable Emergency Pack	LED3EP80DED
3000K	Insert 30 , e.g LDP20W12GS 30
Luceco Platform Wireless Insert LPW	Insert LPW , e.g LDP20W12 LPW 40
Luceco Elevate Wireless Insert LEW	Insert LEW , e.g LDP20W12 LEW 40

To Specify:

Recessed high performance 220mm diameter downlight with efficacy up to 131 Llm/cW. Die-cast aluminium heatsink and bezel with aluminium reflector. Unique swingtab design makes installation faster and easier.



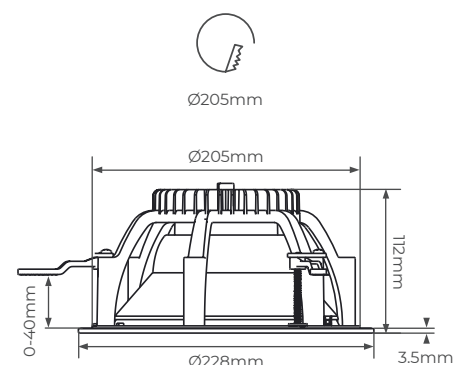
Gloss Finish



Matt Finish

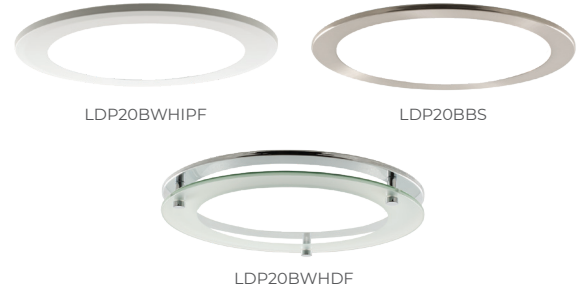


Product Drawing



PRODUCT ACCESSORIES

LDP20BWHEM	White Bezel Accessory with Emergency Indicator – IP44
LDP20BPC	Polished Chrome Bezel Accessory – IP44
LDP20BBS	Brushed Steel Bezel Accessory – IP44
LDP20BB	Black Bezel Accessory – IP44
LDP20BWHDH	Decorative Glass Bezel Accessory, White, Dropped Halo – IP44
LDP20BWHDF	Decorative Glass Bezel Accessory, White, Frosted Glass – IP44
LDP20BWHIPF	IP65 White Bezel Accessory – Frosted Diffuser
LDP20BWHIP	IP65 White Bezel Accessory - Clear Diffuser



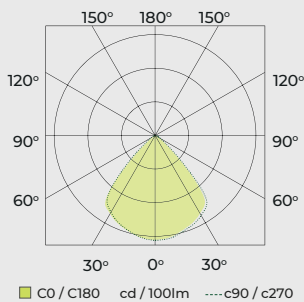
CAT NO.	WEIGHT (kg)	CRI	FREQUENCY (Hz)	SDCM	UGR	IK RATING	TEMP RANGE (°C)	AMBIENT TEMP RATED LIFE (°C)	L/B RATED LIFE
LDP20W12*S40	0.92	>80	50-60	<3	<19	IK07	-20 to +40	25	L80 / B10
LDP20W12*D40	1.02	>80	50-60	<3	<19	IK07	-20 to +40	25	L80 / B10
LDP20W16*S40	0.92	>80	50-60	<3	<20	IK07	-20 to +40	25	L80 / B10
LDP20W16*D40	1.02	>80	50-60	<3	<20	IK07	-20 to +40	25	L80 / B10
LDP20W22*S40	0.954	>80	50-60	<3	<21	IK07	-20 to +40	25	L80 / B10
LDP20W22*D40	1.054	>80	50-60	<3	<21	IK07	-20 to +40	25	L80 / B10
LDP20W33*S40	0.954	>80	50-60	<3	<22	IK07	-20 to +40	25	L80 / B10
LDP20W33*D40	1.054	>80	50-60	<3	<22	IK07	-20 to +40	25	L80 / B10
LDP20W63*S40	0.954	>80	50-60	<3	<24	IK07	-20 to +40	25	L80 / B10
LDP20W63*D40	1.054	>80	50-60	<3	<24	IK07	-20 to +40	25	L80 / B10

LDP20W12GS40

Luminaire Performance

Light Output Ratio: 100%
 Luminaire Efficacy: 131.58 lm/W
 Light Distribution: A60 + 98.9%+ 1.1%
 CIE Flux Codes: 80 99 100 99 98
 UGR 4H 8H
 (20%, 50%, 70%) CO / C90: 18.3 / 18.1

Luminous Intensity

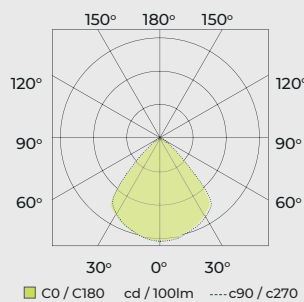


LDP20W25GS40

Luminaire Performance

Light Output Ratio: 100%
 Luminaire Efficacy: 131.58 lm/W
 Light Distribution: A60 + 98.9%+ 1.1%
 CIE Flux Codes: 80 99 100 99 98
 UGR 4H 8H
 (20%, 50%, 70%) CO / C90: 20.7 / 20.6

Luminous Intensity



STANDARD	DESCRIPTION
EN 60598-1	Luminaires – General requirements
EN 60598-2-2	Luminaires – Recessed
EN 60598-2-22	Luminaires – Emergency
EN 61000-3-2	Electromagnetic compatibility (EMC) – Part 3-2: Limits - for harmonic current emissions
EN 61000-3-3	Limits - Limitation of voltage changes, voltage fluctuations and flicker in public low-voltage supply systems, for equipment with rated current ≤ 16 A per phase and not subject to conditional connection
EN 61547	Equipment for general lighting purposes – EMC immunity requirements
EN 55015	Limits and methods of measurement of radio disturbance characteristics of electrical lighting and similar equipment