

CALLISTO



ASSEMBLY AND INSTALLATION

EN

- This product is only suitable for indoor use
- This product must be disconnected before insulation resistance testing of the lighting circuit

ZUSAMMENBAU UND INSTALLATION

DE

- Nur zur Verwendung in trockenen Räumen
- Vor der Isolationswiderstandsprüfung muß das Produkt von der Spannungsversorgung getrennt werden

NOTICE D'ASSEMBLAGE ET DE MONTAGE

FR

- Ce produit est uniquement réservée à une installation intérieure
- Ce produit doit être déconnecté avant tout test de résistance du circuit d'éclairage

MONTAGGIO E INSTALLAZIONE

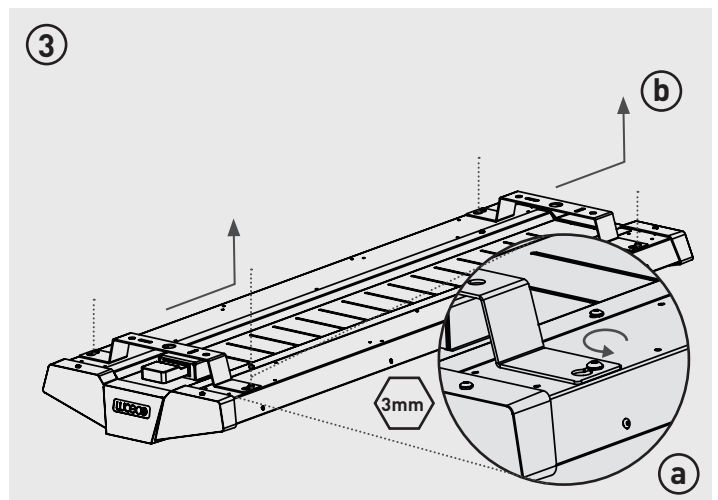
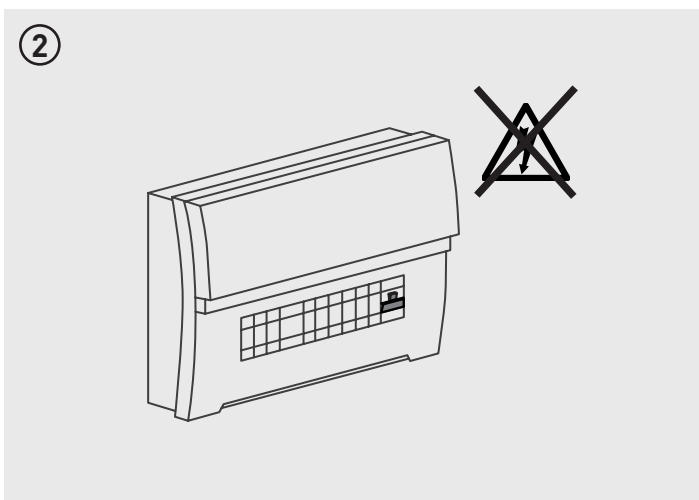
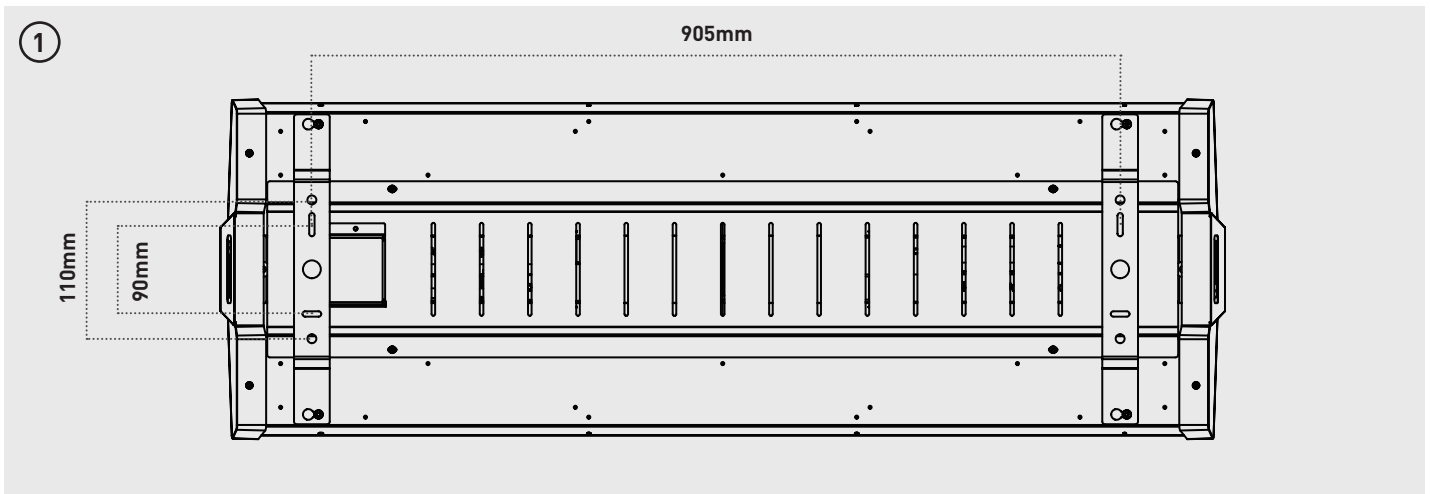
IT

- Questo prodotto è adatto solo per uso interno
- Questo prodotto deve essere scollegato prima del test di resistenza di isolamento del circuito di illuminazione

MONTAJE E INSTALACIÓN

ES

- Este producto sólo es adecuado para uso interior
- Este producto debe ser desconectado antes de ensayar, en el circuito eléctrico, la resistencia de aislamiento



Tech Help Line

UK - 0330 0249 279
 Non UK - +44 (0)1952 238 100
 Supplied by LUCECO
 Stafford Park 1, Telford, Shropshire,
 England, TF3 3BD

Kontakt

UK - 0330 0249 279
 Non UK - +49 40 89066 878 - 29
 Geliefert von Luceco GmbH
 Holstenplatz 20b,
 22765 Hamburg DEUTSCHLAND

Support Technique

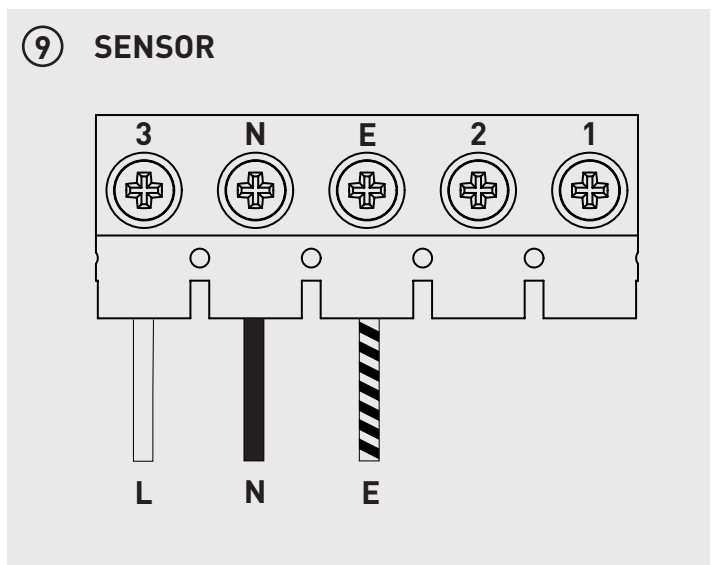
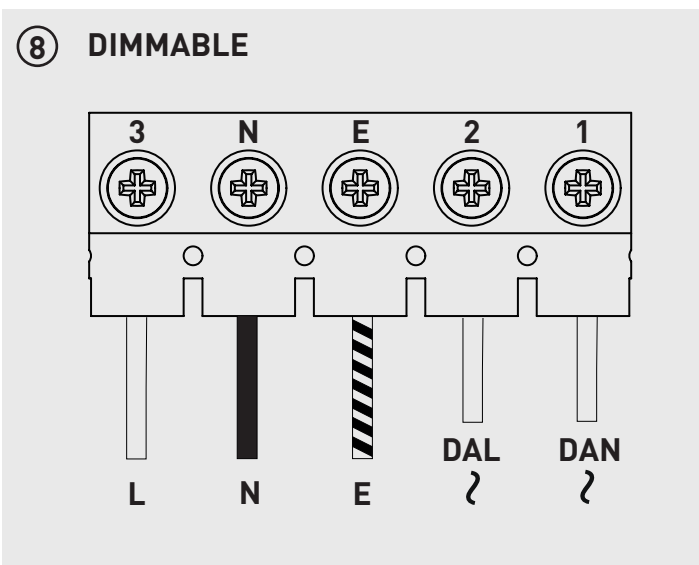
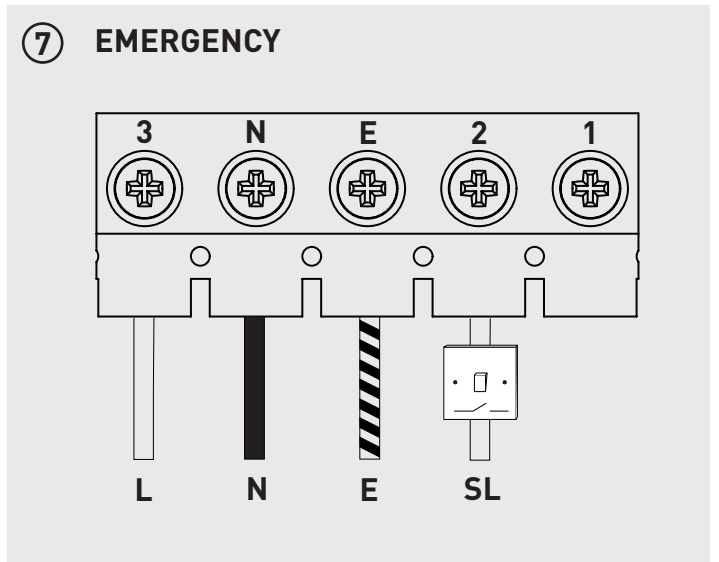
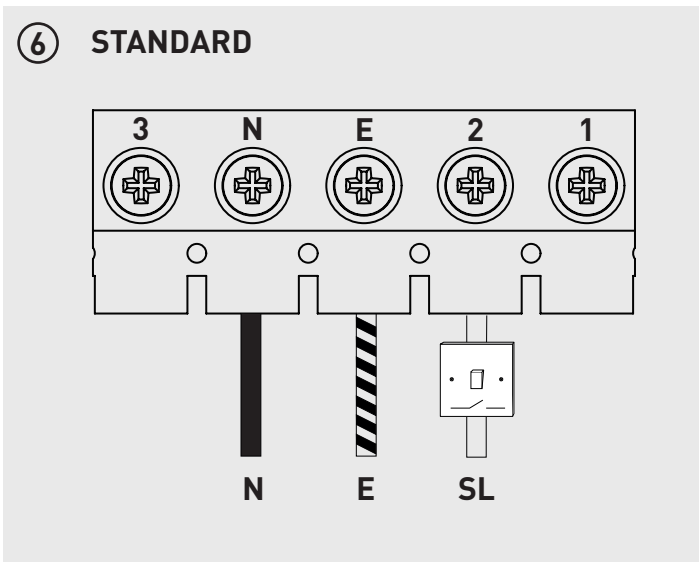
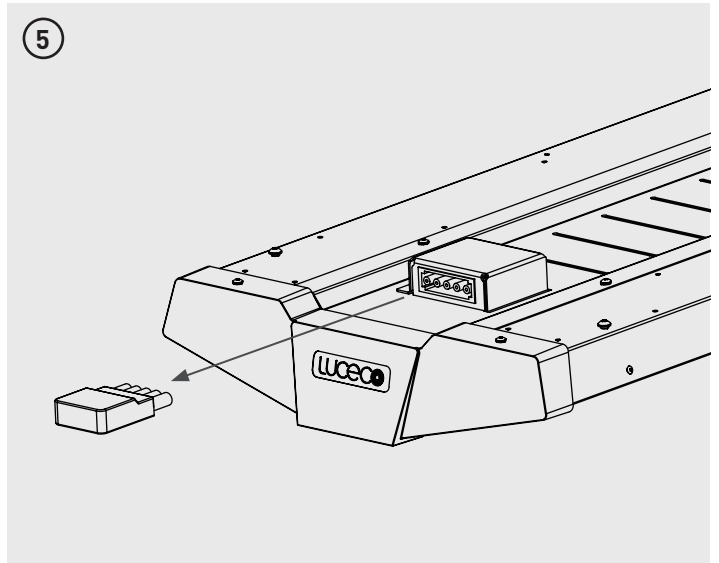
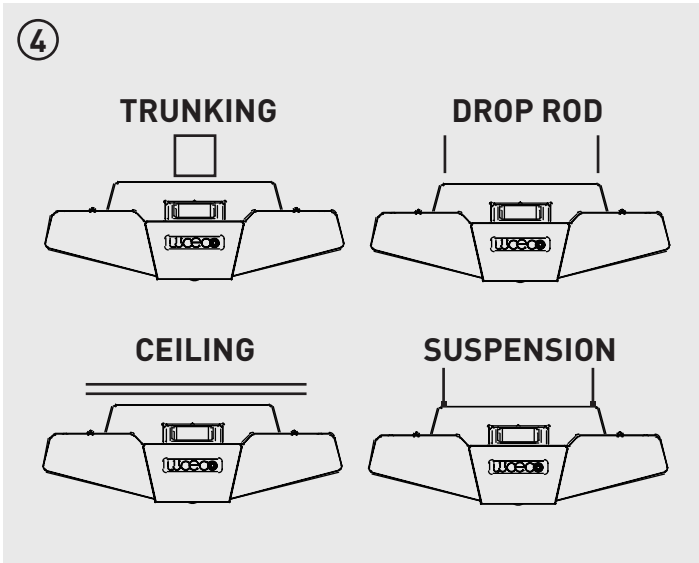
UK - 0330 0249 279
 Non UK - +33 (0)1 61 10 10 35
 Notice fournie par
 Luceco SAS France & Belux 3
 Rue de Courtalin, Magny Le Hongre 77700
 FRANCE & BELUX

Servicio de asistencia telefónica

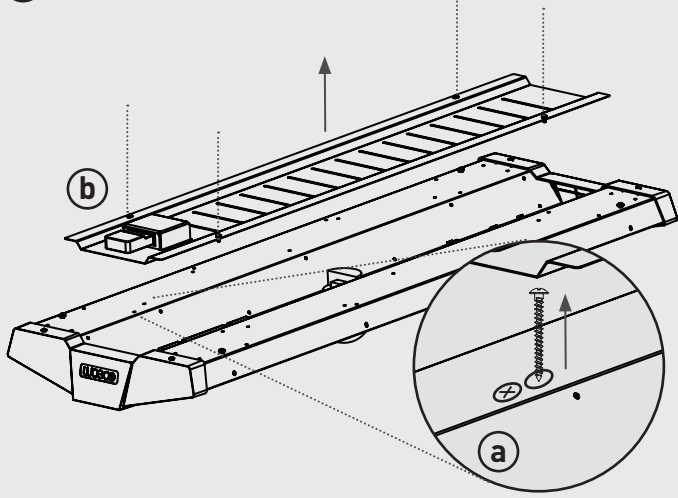
UK - 0330 0249 279
 Non UK - +34 93 829 55 74
(EU) Luceco SE
 C/ Bobinadora 1-5 08302 Mataró
 Barcelona Spain

Assistenza tecnica telefonica

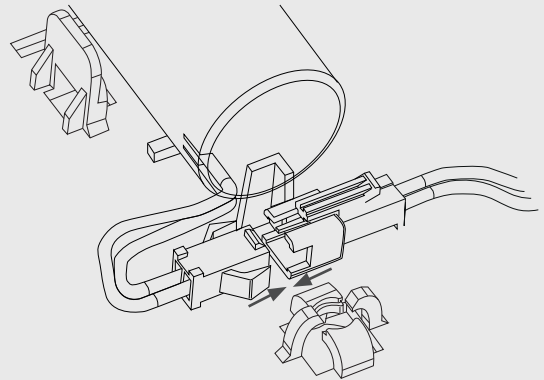
UK - 0330 0249 279
 Non UK - +39 0434 1696795
 Fornito da BG Electrical Ltd Nexus
 Italia, Via Amman 10 33170
 Pordenone, Italy



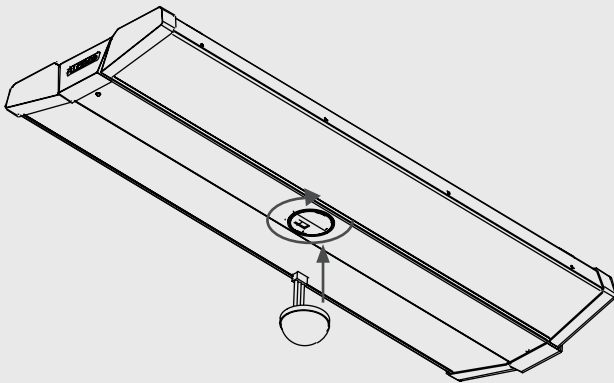
10 EMERGENCY PACK PLUG-IN



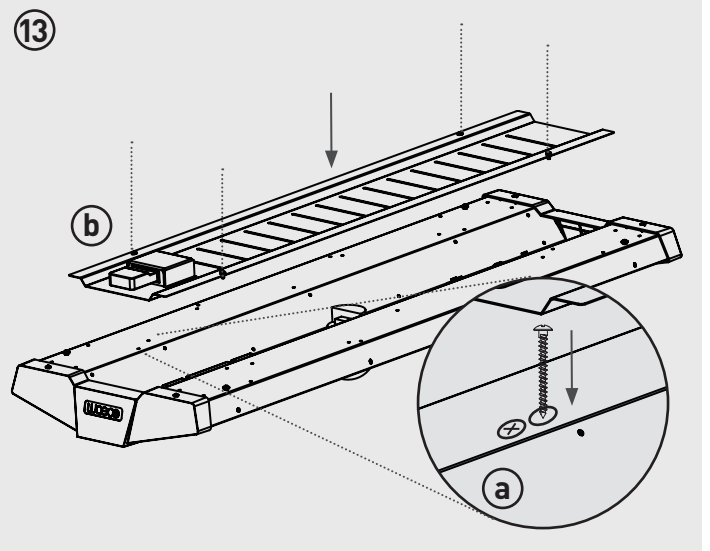
11 EMERGENCY PACK PLUG-IN



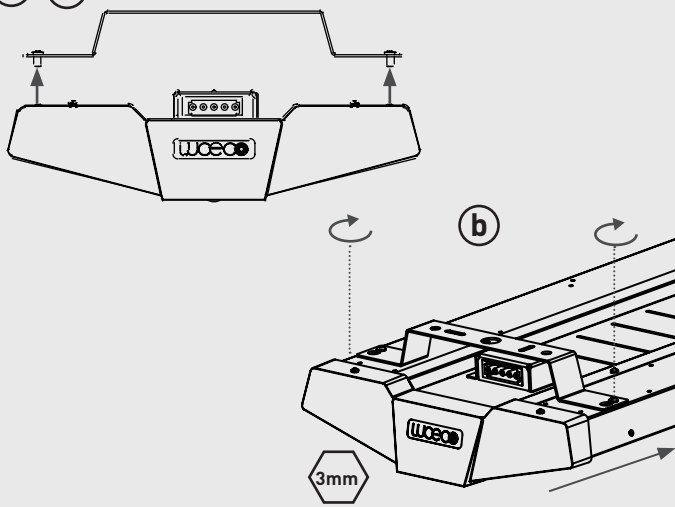
12 ATTACHING CP SENSOR



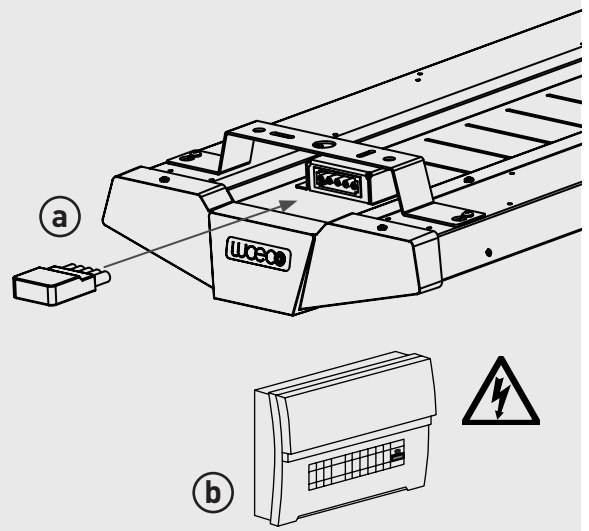
13



14 a



15



Tech Help Line

UK - 0330 0249 279

Non UK - +44 (0)1952 238 100

Supplied by LUCECO

Stafford Park 1, Telford, Shropshire,
England, TF3 3BD

Kontakt

UK - 0330 0249 279

Non UK - +49 40 89066 878 - 29

Geliefert von Luceco GmbH

Holstenplatz 20b,
22765 Hamburg DEUTSCHLAND

Support Technique

UK - 0330 0249 279

Non UK - +33 (0)1 61 10 10 35

Notice fournie par

Luceco SAS France & Belux 3
Rue de Courtalin, Magny Le Hongre 77700
FRANCE & BELUX

Servicio de asistencia telefónica

UK - 0330 0249 279

Non UK - +34 93 829 55 74

[EU] Luceco SE

C/ Bobinadora 1-5 08302 Mataró
Barcelona Spain

Assistenza tecnica telefonica

UK - 0330 0249 279

Non UK - +39 0434 1696795

Fornito da BG Electrical Ltd Nexus

Italia, Via Amman 10 33170
Pordenone, Italy

CALLISTO

EMERGENCY LIGHTING TESTING

Months 1 to 11 inclusive – Function Test, interrupt the permanent/UnSwitched supply and check the luminaire operates in Emergency mode at reduced output

Month 12 (Annual) – As months 1 to 11 but for a full 3 hr duration

Luminaire Ref / Location: In Case of difficulty, contact the Installation Engineers:- Tel:

LLCxxExx	Duration 3 hr	Lamp Type - LED
----------	---------------	-----------------

INITIAL USE AND ROUTINE TESTING

From initial install the downlight will require up to 24 hr for the batteries to be fully charged and provide the rated 3hr duration in Emergency mode. Then following subsequent Emergency use, from full discharge will take approx. 14hr to fully recharge batteries.

It is important that the luminaire is routinely tested to ensure the batteries are conditioned and also to fully comply with BS5266. A function test should be conducted every month with an annual test of the full 3hr duration. Records can be kept on the below table.

It is recommended that batteries are replaced every 4 years to ensure the optimum charging cycle is maintained.

Month	Test	First Year		Second Year		Third Year		Fourth Year		Fifth Year	
		Signed	Date	Signed	Date	Signed	Date	Signed	Date	Signed	Date
1	Function										
2	Function										
3	Function										
4	Function										
5	Function										
6	Function										
7	Function										
8	Function										
9	Function										
10	Function										
11	Function										
Annual	Full Test										