

SEMITA ARC

Product Features

- 755lm to 1746lm, efficacy available up to 116 lm/W
- Die-cast aluminium body with a contemporary anthracite grey finish
- Available with a choice of 3 asymmetrical distributions

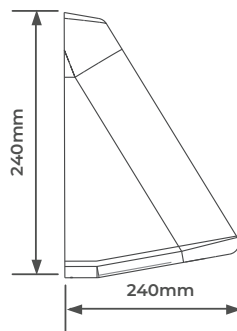
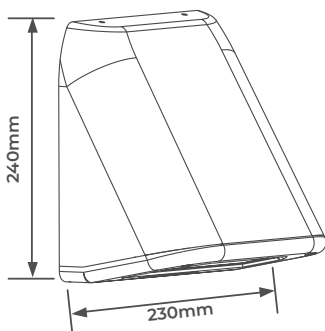


CAT NO.	OPTIC	LUMINAIRE LUMENS	WATTAGE
SEMAFL08D	Flood Light Optic	836	7.5W
SEMAFL15D	Flood Light Optic	1746	15W
SEMAOC08D	Path Optic	780	7.5W
SEMAOC15D	Path Optic	1637	15W
SEMAST08D	Street Optic	755	7.5W
SEMAST15D	Street Optic	1603	15W

To Specify:

The luminaire shall be manufactured from high pressure die-cast aluminium. It shall have an LED efficacy of up to 116 luminaire lm/W and will be capable of producing up to 1,746 luminaire lumens at 4000K with a CRI >70. It shall have an asymmetric forward throw optic and is rated at IP66 and IK10.

Product Drawing



CAT NO.	WEIGHT (kg)	CRI	LIGHT SOURCE	IK RATING	TEMP RANGE (°C)	AMBIENT TEMP RATED LIFE (°C)	L80 HOURS
SEMAFL08D	2.4	>70	LED	IK10	-20 to +50	25	100,000
SEMAFL15D	2.4	>70	LED	IK10	-20 to +50	25	100,000
SEMAOC08D	2.4	>70	LED	IK10	-20 to +50	25	100,000
SEMAOC15D	2.4	>70	LED	IK10	-20 to +50	25	100,000
SEMAST08D	2.4	>70	LED	IK10	-20 to +50	25	100,000
SEMAST15D	2.4	>70	LED	IK10	-20 to +50	25	100,000

SEMAST15D
Luminaire Performance

Light Output Ratio: 100%
Luminaire Efficacy: 110.58 lm/W
Light Distribution: A30+99.7%+0.3%
CIE Flux Codes: 31 71 97 100 100
UGR 4H 8H (20%, 50%, 70%) C0 / C90: 25.4 / 11.0

Luminous Intensity

■ C0 / C180 cd / 100lmc90 / c270

SEMAOC15D
Luminaire Performance

Light Output Ratio: 100%
Luminaire Efficacy: 112.92lm/W
Light Distribution: A30+99.6%+0.4%
CIE Flux Codes: 42 77 98 100 100
UGR 4H 8H (20%, 50%, 70%) C0 / C90: 31.2 / 10.7

Luminous Intensity

■ C0 / C180 cd / 100lmc90 / c270

SEMAFL15D
Luminaire Performance

Light Output Ratio: 100%
Luminaire Efficacy: 120.43lm/W
Light Distribution: A40+99.7%+0.3%
CIE Flux Codes: 46 89 100 100 100
UGR 4H 8H (20%, 50%, 70%) C0 / C90: 22.2 / 10.2

Luminous Intensity

■ C0 / C180 cd / 100lmc90 / c270

STANDARD	DESCRIPTION
EN 60598-1	Luminaires – General requirements
EN 60598-2-1	Luminaires – Fixed general purpose
EN 61000-3-2	Electromagnetic compatibility (EMC) – Part 3-2: Limits - for harmonic current emissions
EN 61000-3-3	Limits - Limitation of voltage changes, voltage fluctuations and flicker in public low-voltage supply systems, for equipment with rated current ≤ 16 A per phase and not subject to conditional connection
EN 61547	Equipment for general lighting purposes – EMC immunity requirements
EN 55015	Limits and methods of measurement of radio disturbance characteristics of electrical lighting and similar equipment

LUCECO

This luminaire contains built-in LED lamps.

A++
A+
A
B
C
D
E

LED

The lamps cannot be changed in the luminaire.

874/2012

