

PLATINUM SURFACE

Product Features

- Die-cast aluminium body designed to provide optimal thermal control with aluminium bezel and aluminium reflector.
- Surface high performance downlight with efficacy up to 129 Llm/cW with gloss reflector
- Surface, suspension and BESA mounted



CAT NO.	DRIVER	LUMINAIRE LUMENS	WATTAGE	EFFICACY Llm/cW
LDPS20W12GS40	Fixed Output	1200	9.5W	126
LDPS20W12GE40	Fixed Output + Emergency	1200	9.5W	126
LDPS20W12GD40	Digital Dimmable	1200	9.5W	126
LDPS20W12GED40	Digital Dimmable+ Emergency	1200	9.5W	126
LDPS20W16GS40	Fixed Output	1600	13W	123
LDPS20W16GE40	Fixed Output + Emergency	1600	13W	123
LDPS20W16GD40	Digital Dimmable	1600	13W	123
LDPS20W16GED40	Digital Dimmable+ Emergency	1600	13W	123
LDPS20W22GS40	Fixed Output	2200	17W	129
LDPS20W22GE40	Fixed Output + Emergency	2200	17W	129
LDPS20W22GD40	Digital Dimmable	2200	17W	129
LDPS20W22GED40	Digital Dimmable+ Emergency	2200	17W	129
LDPS20W32GS40	Fixed Output	3200	25W	128
LDPS20W32GE40	Fixed Output + Emergency	3200	25W	128
LDPS20W32GD40	Digital Dimmable	3200	25W	128
LDPS20W32GED40	Digital Dimmable+ Emergency	3200	25W	128
LDPS20W63GS40	Fixed Output	6300	52W	121

CAT NO.	DRIVER	LUMINAIRE LUMENS	WATTAGE	EFFICACY Llm/cW
LDPS20W12MS40	Fixed Output	1200	9.5W	126
LDPS20W12ME40	Fixed Output + Emergency	1200	9.5W	126
LDPS20W12MD40	Digital Dimmable	1200	9.5W	126
LDPS20W12MED40	Digital Dimmable+ Emergency	1200	9.5W	126
LDPS20W16MS40	Fixed Output	1600	13W	123
LDPS20W16ME40	Fixed Output + Emergency	1600	13W	123
LDPS20W16MD40	Digital Dimmable	1600	13W	123
LDPS20W16MED40	Digital Dimmable+ Emergency	1600	13W	123
LDPS20W22MS40	Fixed Output	2200	17W	129
LDPS20W22ME40	Fixed Output + Emergency	2200	17W	129
LDPS20W22MD40	Digital Dimmable	2200	17W	129
LDPS20W22MED40	Digital Dimmable+ Emergency	2200	17W	129
LDPS20W32MS40	Fixed Output	3200	25W	128
LDPS20W32ME40	Fixed Output + Emergency	3200	25W	128
LDPS20W32MD40	Digital Dimmable	3200	25W	128
LDPS20W32MED40	Digital Dimmable+ Emergency	3200	25W	128
LDPS20W63MS40	Fixed Output	6300	52W	121

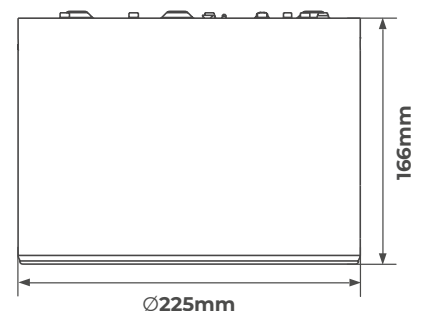


Gloss Finish



Matt Finish

Product Drawing



To Specify:

Surface high performance 225mm diameter downlight with efficacy up to 129 Llm/cW. Die-cast aluminium heatsink and bezel with aluminium reflector. Suitable for surface or suspension mounting

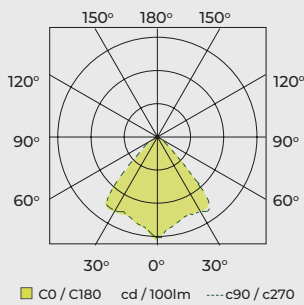
CAT NO.	WEIGHT (kg)	CRI	FREQUENCY (Hz)	SDCM	UGR	IK RATING	TEMP RANGE (°C)	AMBIENT TEMP RATED LIFE (°C)	L/B RATED LIFE
LDPS20W12GS40	3.4	>80	50	<3	<19	IK07	-20 to +25	25	L80 / B10
LDPS20W12GE40	3.7	>80	50	<3	<19	IK07	0 to +25	25	L80 / B10
LDPS20W12GD40	3.5	>80	50	<3	<19	IK07	-20 to +25	25	L80 / B10
LDPS20W12GED40	3.8	>80	50	<3	<19	IK07	0 to +25	25	L80 / B10
LDPS20W16GS40	3.4	>80	50	<3	<20	IK07	-20 to +25	25	L80 / B10
LDPS20W16GE40	3.7	>80	50	<3	<20	IK07	0 to +25	25	L80 / B10
LDPS20W16GD40	3.5	>80	50	<3	<20	IK07	-20 to +25	25	L80 / B10
LDPS20W16GED40	3.8	>80	50	<3	<20	IK07	0 to +25	25	L80 / B10
LDPS20W22GS40	3.4	>80	50	<3	<21	IK07	-20 to +25	25	L80 / B10
LDPS20W22GE40	3.7	>80	50	<3	<21	IK07	0 to +25	25	L80 / B10
LDPS20W22GD40	3.5	>80	50	<3	<21	IK07	-20 to +25	25	L80 / B10
LDPS20W22GED40	3.8	>80	50	<3	<21	IK07	0 to +25	25	L80 / B10
LDPS20W32GS40	3.4	>80	50	<3	<22	IK07	-20 to +25	25	L80 / B10
LDPS20W32GE40	3.7	>80	50	<3	<22	IK07	0 to +25	25	L80 / B10
LDPS20W32GD40	3.5	>80	50	<3	<22	IK07	-20 to +25	25	L80 / B10
LDPS20W32GED40	3.8	>80	50	<3	<22	IK07	0 to +25	25	L80 / B10
LDPS20W63GS40	3.8	>80	50	<3	<24	IK07	-20 to +25	25	L80 / B10
LDPS20W12MS40	3.4	>80	50	<3	<19	IK07	-20 to +25	25	L80 / B10
LDPS20W12ME40	3.7	>80	50	<3	<19	IK07	0 to +25	25	L80 / B10
LDPS20W12MD40	3.5	>80	50	<3	<19	IK07	-20 to +25	25	L80 / B10
LDPS20W12MED40	3.8	>80	50	<3	<19	IK07	0 to +25	25	L80 / B10
LDPS20W16MS40	3.4	>80	50	<3	<20	IK07	-20 to +25	25	L80 / B10
LDPS20W16ME40	3.7	>80	50	<3	<20	IK07	0 to +25	25	L80 / B10
LDPS20W16MD40	3.5	>80	50	<3	<20	IK07	-20 to +25	25	L80 / B10
LDPS20W16MED40	3.8	>80	50	<3	<20	IK07	0 to +25	25	L80 / B10
LDPS20W22MS40	3.4	>80	50	<3	<21	IK07	-20 to +25	25	L80 / B10
LDPS20W22ME40	3.7	>80	50	<3	<21	IK07	0 to +25	25	L80 / B10
LDPS20W22MD40	3.5	>80	50	<3	<21	IK07	-20 to +25	25	L80 / B10
LDPS20W22MED40	3.8	>80	50	<3	<21	IK07	0 to +25	25	L80 / B10
LDPS20W32MS40	3.4	>80	50	<3	<22	IK07	-20 to +25	25	L80 / B10
LDPS20W32ME40	3.7	>80	50	<3	<22	IK07	0 to +25	25	L80 / B10
LDPS20W32MD40	3.5	>80	50	<3	<22	IK07	-20 to +25	25	L80 / B10
LDPS20W32MED40	3.8	>80	50	<3	<22	IK07	0 to +25	25	L80 / B10
LDPS20W63MS40	3.8	>80	50	<3	<24	IK07	-20 to +25	25	L80 / B10

LDPS20W16GS40

Luminaire Performance

Light Output Ratio: 100%
 Luminaire Efficacy: 123.08 lm/W
 Light Distribution: A60 ± 98.9%± 1.1%
 CIE Flux Codes: 80 99 100 99 101
 UGR 4H 8H (20%, 50%, 70%) C0 / C90: 19.4 / 19.3

Luminous Intensity

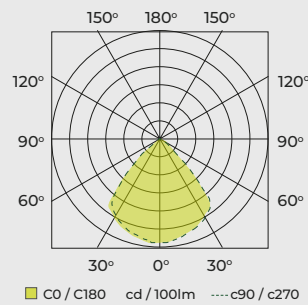


LDPS20W22MS40

Luminaire Performance

Light Output Ratio: 100%
 Luminaire Efficacy: 123.08 lm/W
 Light Distribution: A60 ± 98.9%± 1.1%
 CIE Flux Codes: 80 98 100 99 98
 UGR 4H 8H (20%, 50%, 70%) C0 / C90: 19.1 / 19.0

Luminous Intensity



STANDARD	DESCRIPTION
EN 60598-1	Luminaires – General requirements
EN 60598-2-1	Luminaires – Fixed general purpose
EN 60598-2-22	Luminaires – Emergency
EN 61000-3-2	Electromagnetic compatibility (EMC) – Part 3-2: Limits - for harmonic current emissions
EN 61000-3-3	Limits - Limitation of voltage changes, voltage fluctuations and flicker in public low-voltage supply systems, for equipment with rated current ≤ 16 A per phase and not subject to conditional connection
EN 61547	Equipment for general lighting purposes – EMC immunity requirements
EN 55015	Limits and methods of measurement of radio disturbance characteristics of electrical lighting and similar equipment

LUCECO

This luminaire contains built-in LED lamps.

A++
A+
A
C
D
E

} LED

X

The lamps cannot be changed in the luminaire.

874/2012

