

LUXPANEL IP65 CIRCULAR EDGELIT Ø240MM

Product Features

- Circular panel with aluminium frame finished in RAL9016. PMMA Light guide IP65 sealed with TpB polycarbonate diffuser.
- Optimal lumen outputs for suspended ceilings delivering upto 75Lm/cW. Fixed output, dimmable drivers available wireless controls compatible
- Recessed mounted . Suitable for use in 15 or 24mm standard exposed grid ceilings or plasterboard



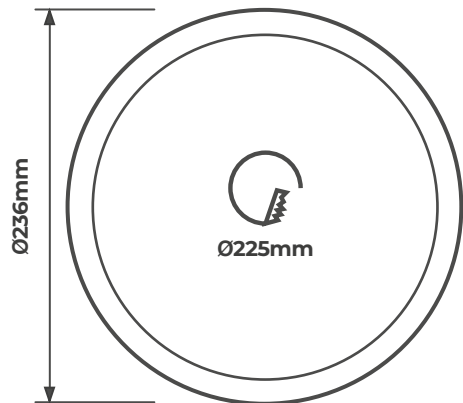
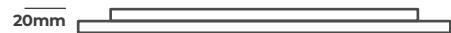
CAT NO.	DRIVER	LUMINAIRE LUMENS	WATTAGE	EFFICACY Lm/cW
LPIP240WS40	Fixed Output	1200	16W	75
LPIP240WD40	Digital Dimmable	1200	16W	75

To Specify:

Recessed circular IP65 edgelit panel with aluminium frame, PMMA light guide and polycarbonate opal diffuser

PRODUCT OPTIONS	
Remote Emergency Pack	LED3EP80
Self Test Remote Emergency Pack	LED3EP80EST
DALI Addressable Emergency Pack	LED3EP80DED
Lite IP Connctivity	Insert W , eg. LPIP240W40

Product Drawing



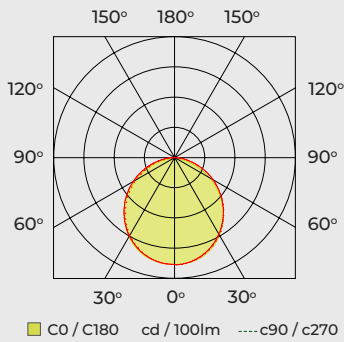
CAT NO.	WEIGHT (kg)	CRI	FREQUENCY (Hz)	SDCM	UGR	IK RATING	TEMP RANGE (°C)	AMBIENT TEMP RATED LIFE (°C)	L/B RATED LIFE
LPIP240WS40	0.55	>80	50-60	<3	<24	IK04	-20 to +25	25	L70 / B10
LPIP240WD40	0.65	>80	50-60	<3	<24	IK04	-20 to +25	25	L70 / B10

LP612IP50S40

Luminaire Performance

Light Output Ratio: 99.43%
 Luminaire Efficacy: 82.86 lm/W
 Light Distribution: A40 ±99.6% ±0.4%
 CIE Flux Codes: 48 79 96 100 99
 UGR 4H 8H
 (20%, 50%, 70%) C0 / C90: 18.7 / 18.9

Luminous Intensity



LUCECO

This luminaire contains built-in LED lamps.

A++

A+

A

B

C

D

E

} LED

The lamps cannot be changed in the luminaire.

874/2012

STANDARD	DESCRIPTION
EN 60598-1	Luminaires – General requirements
EN 60598-2-2	Luminaires – Recessed
EN 60598-2-22	Luminaires – Emergency
EN 61000-3-2	Electromagnetic compatibility (EMC) – Part 3-2: Limits - for harmonic current emissions
EN 61000-3-3	Limits - Limitation of voltage changes, voltage fluctuations and flicker in public low-voltage supply systems, for equipment with rated current ≤ 16 A per phase and not subject to conditional connection
EN 61547	Equipment for general lighting purposes – EMC immunity requirements
EN 55015	Limits and methods of measurement of radio disturbance characteristics of electrical lighting and similar equipment

