

## STORM BULKHEAD

### Product Features

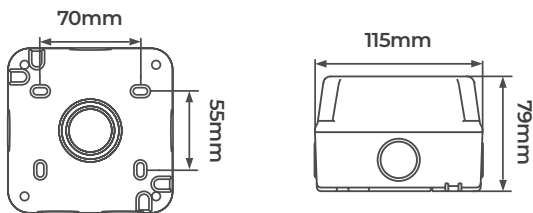
- Square and rectangular bulkhead ideal for replacing A60 luminaires
- High impact polycarbonate housing
- Suitable for 230V or 110V use
- Rear and multiple side entry cable points



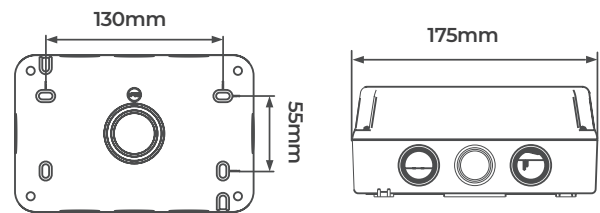
CAT NO.	DRIVER	LUMINAIRE LUMENS	WATTAGE
LBS1G4	Fixed Output	400	4.5W
LBS2G8	Fixed Output	750	7W
LBS2G8MW	Fixed Output + Sensor	750	7.5W
LBS2R2	Fixed Output +Red Lens	180	7.5W

### Product Drawing

LBS1G4



LBS2G8 / LBS2R2



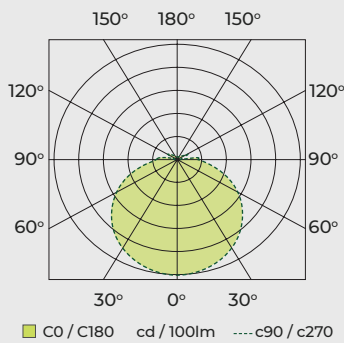
CAT NO.	WEIGHT (kg)	EFFICACY (lm/W)	CRI	FREQUENCY (Hz)	IK RATING	TEMP RANGE (°C)	AMBIENT TEMP RATED LIFE (°C)	L/B RATED LIFE
LBS1G4	0.2	88	>80	50-60	IK08	-20 to +25	25	L70 / B50
LBS2G8	0.3	107	>80	50-60	IK08	-20 to +25	25	L70 / B50
LBS2G8MW	0.4	100	>80	50-60	IK08	-20 to +25	25	L70 / B50
LBS2R2	0.3	25	>80	50-60	IK08	-20 to +25	25	L70 / B50

## LBS1G4

### Luminaire Performance

Light Output Ratio: 100%  
 Luminaire Efficacy: 100lm/W  
 Light Distribution: A31+91.2%+8.8%  
 CIE Flux Codes: 39 68 89 91 100  
 UGR 4H 8H  
 (20%, 50%, 70%) C0 / C90: 23.1/23.3

### Luminous Intensity

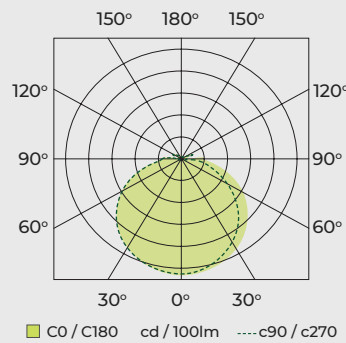


## LBS2G8

### Luminaire Performance

Light Output Ratio: 100%  
 Luminaire Efficacy: 107.14 lm/W  
 Light Distribution: A31+92.1%+7.9%  
 CIE Flux Codes: 40 70 90 92 100  
 UGR 4H 8H  
 (20%, 50%, 70%) C0 / C90: 24.3/24.7

### Luminous Intensity



STANDARD	DESCRIPTION
EN 60598-1	Luminaires – General requirements
EN 60598-2-1	Luminaires – Fixed general purpose
EN 61000-3-2	Electromagnetic compatibility (EMC) – Part 3-2: Limits – for harmonic current emissions
EN 61000-3-3	Limits – Limitation of voltage changes, voltage fluctuations and flicker in public low-voltage supply systems, for equipment with rated current ≤ 16 A per phase and not subject to conditional connection
EN 61547	Equipment for general lighting purposes – EMC immunity requirements
EN 55015	Limits and methods of measurement of radio disturbance characteristics of electrical lighting and similar equipment

**LUCECO**

This luminaire contains built-in LED lamps.

A++
A+
A
B
C
D
E

} LED

The lamps cannot be changed in the luminaire.

874/2012

