



## ATLAS ANTI-LIGATURE BULKHEAD

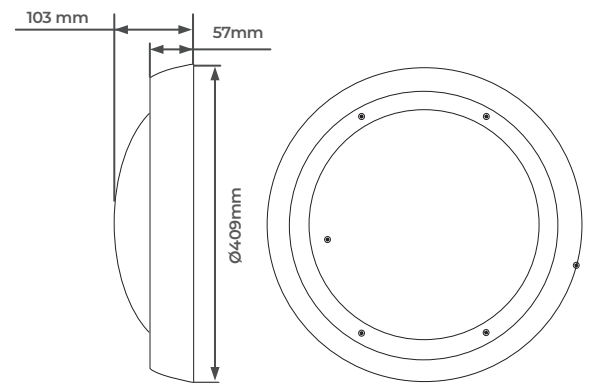
### Product Features

- Anti-Ligature Bulkhead for use in secure environments
- Circular spun steel bulkhead suitable where access to the fitting is expressly limited to authorised persons
- Wall or ceiling mounted and counter sunk screws secure the luminaire
- Dimmable, emergency, self-test and night light options available



| CAT NO.     | DRIVER                   | LUMINAIRE LUMENS | WATTAGE | EFFICACY Lm/cW |
|-------------|--------------------------|------------------|---------|----------------|
| LBHAL224K   | Fixed Output             | 2160             | 15W     | 144            |
| LBHAL224K3M | Fixed Output + Emergency | 2160             | 15W     | 144            |
| LBHAL294K   | Fixed Output             | 2960             | 20W     | 148            |
| LBHAL294K3M | Fixed Output + Emergency | 2960             | 20W     | 148            |

### Product Drawing



### To Specify:

Steel constructed anti-ligature bulkhead. Efficacy up to 148 Lm/cW, IP65 and IK10+ impact rating. Key slot attachment for gear tray and A2 pin button head tamperproof counter sunk screws

| PRODUCT OPTIONS     |                                      |
|---------------------|--------------------------------------|
| Emergency Self-Test | Insert <b>ST</b> , eg. LBHAL224K3MST |
| Night Light         | Insert <b>NL</b> , eg. LBHAL224KNL   |
| Switch Dimmable     | Insert <b>D</b> , eg. LBHAL22D4K     |
| DALI Dimmable       | Insert <b>DA</b> , eg. LBHAL22DA4K   |

| CAT NO.     | WEIGHT (kg) | CRI | FREQUENCY (Hz) | IK RATING | TEMP RANGE (°C) | AMBIENT TEMP RATED LIFE (°C) |
|-------------|-------------|-----|----------------|-----------|-----------------|------------------------------|
| LBHAL224K   | 3.15        | >80 | 50-60          | IK10+     | -20 - +25       | 25                           |
| LBHAL224K3M | 3.65        | >80 | 50-60          | IK10+     | 0 - +25         | 25                           |
| LBHAL294K   | 3.15        | >80 | 50-60          | IK10+     | -20 - +25       | 25                           |
| LBHAL294K3M | 3.65        | >80 | 50-60          | IK10+     | 0 - +25         | 25                           |

| STANDARD      | DESCRIPTION  |
|---------------|--|
| EN 60598-1    | Luminaires – General requirements  |
| EN 60598-2-1  | Luminaires – Fixed general purpose   |
| EN 60598-2-22 | Luminaires – Emergency   |
| EN 61000-3-2  | Electromagnetic compatibility (EMC) – Part 3-2: Limits - for harmonic current emissions  |
| EN 61000-3-3  | Limits – Limitation of voltage changes, voltage fluctuations and flicker in public low-voltage supply systems, for equipment with rated current ≤ 16 A per phase and not subject to conditional connection |
| EN 61547      | Equipment for general lighting purposes – EMC immunity requirements  |
| EN 55015      | Limits and methods of measurement of radio disturbance characteristics of electrical lighting and similar equipment  |

