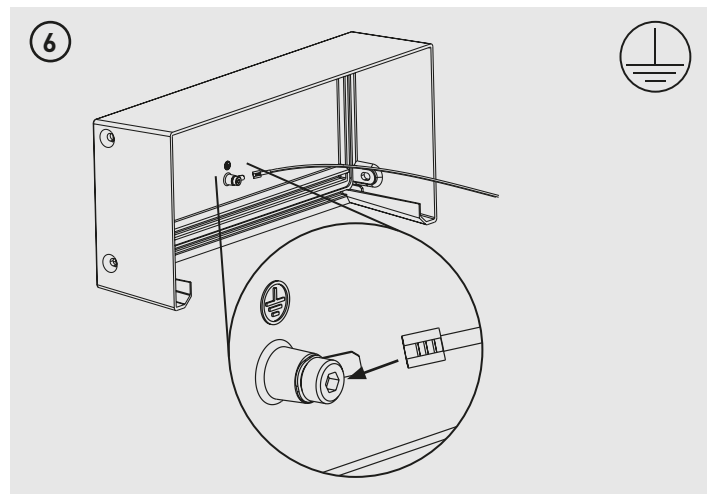
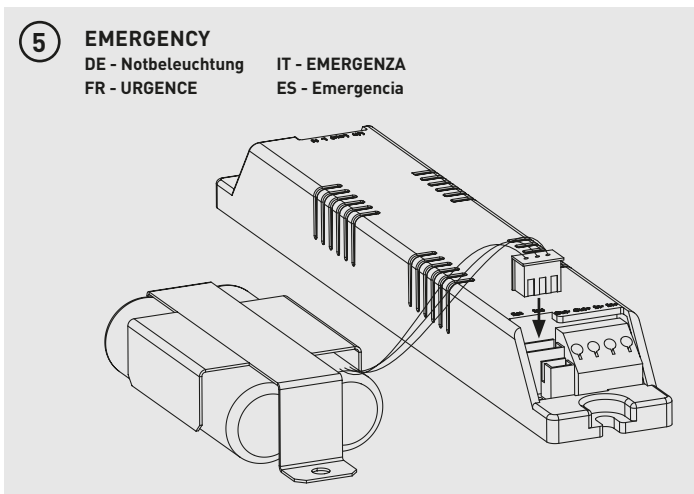
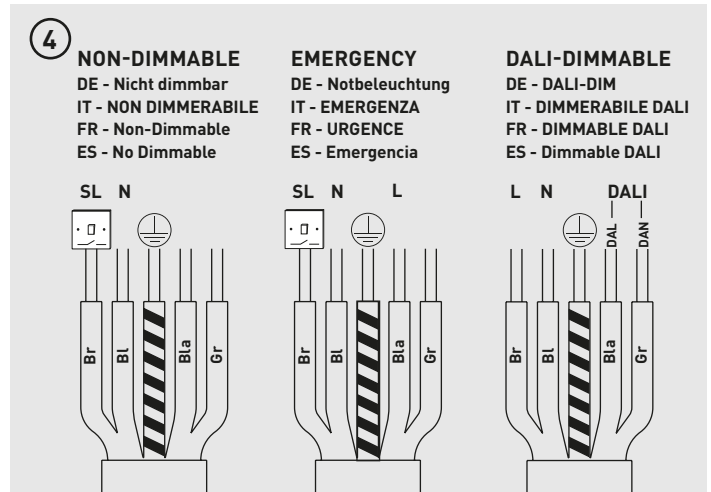
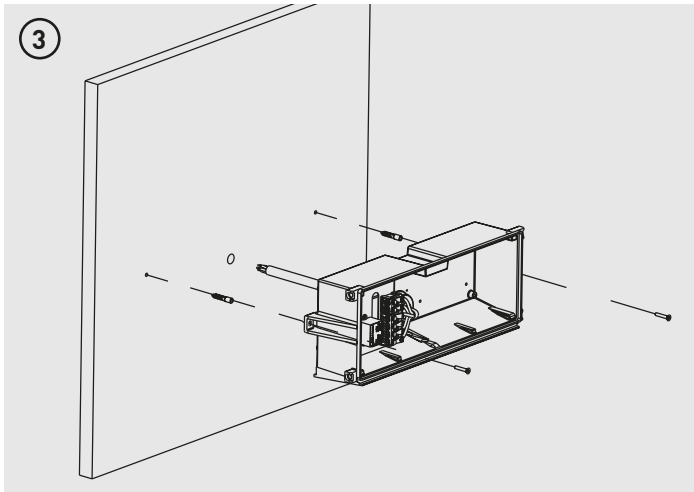
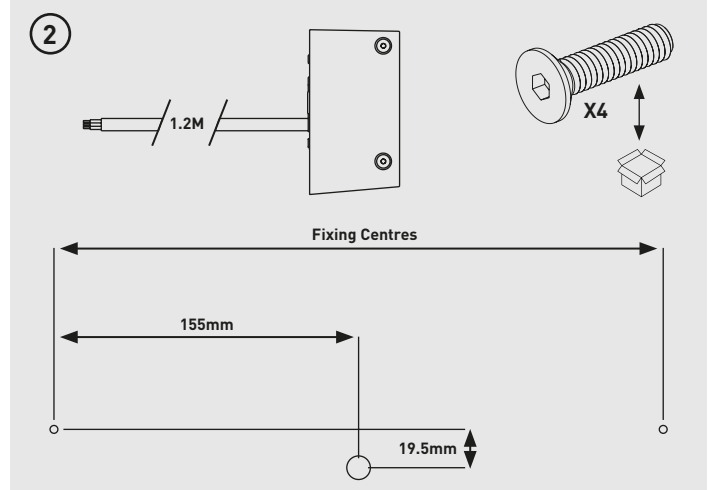
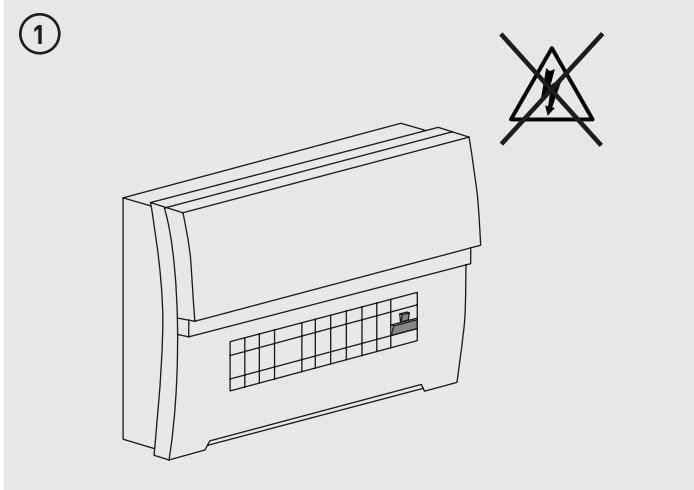


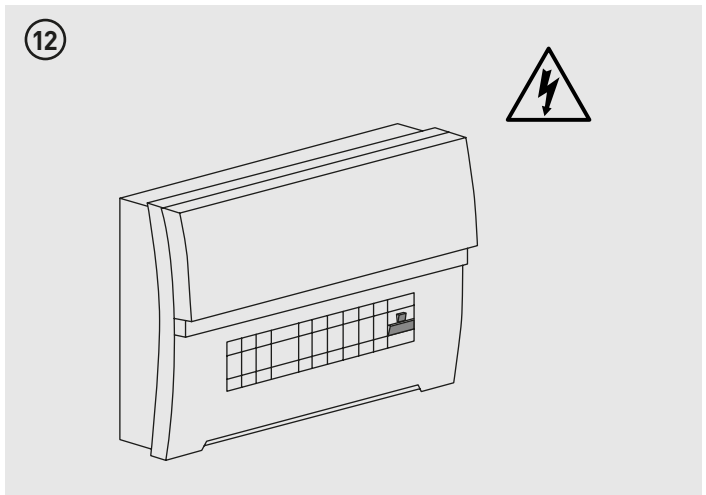
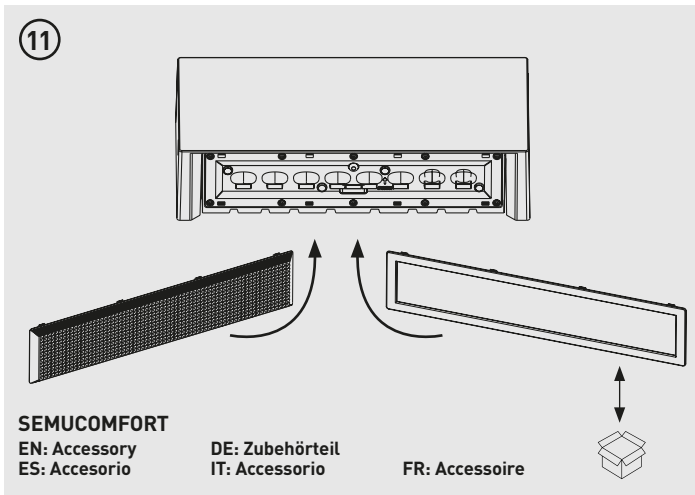
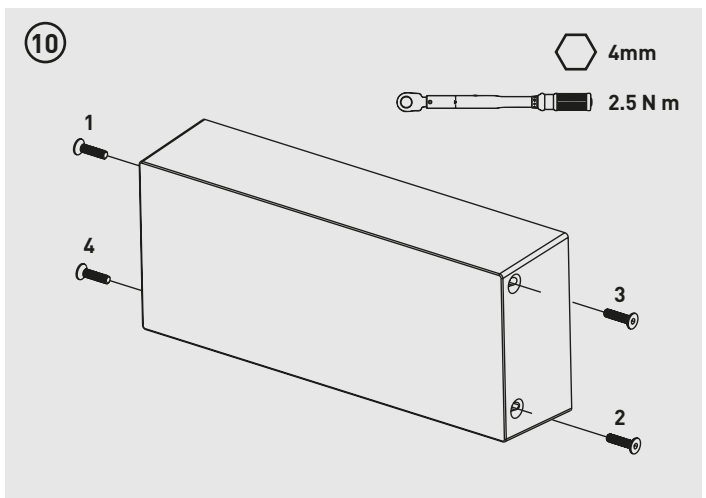
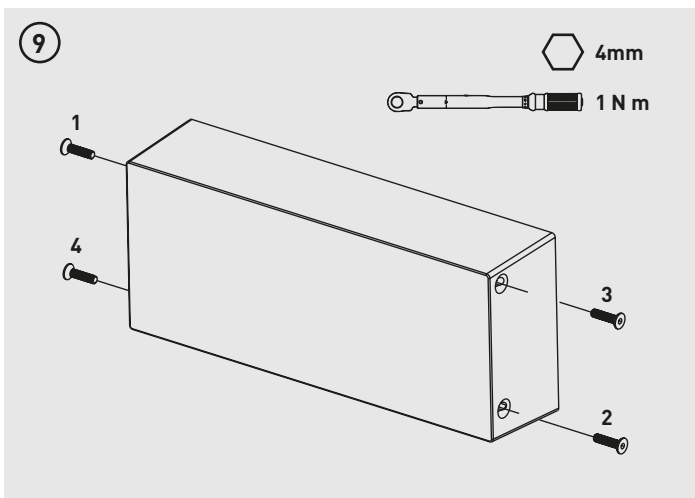
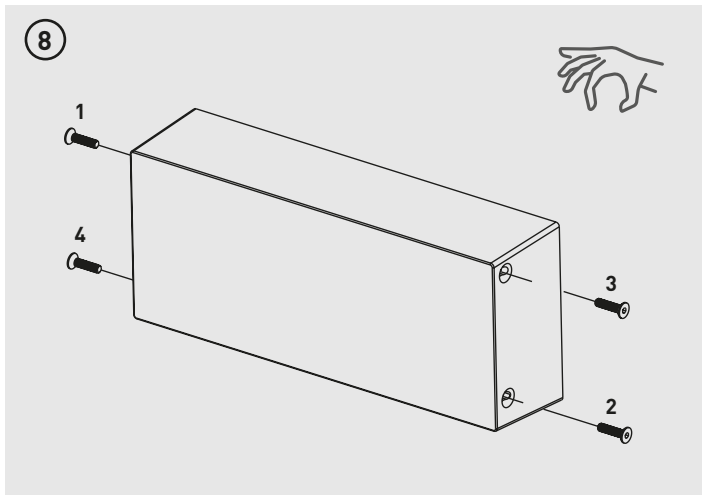
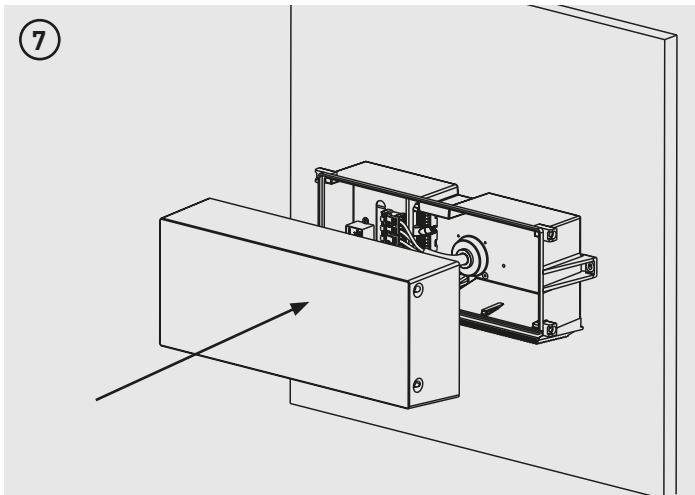
# SEMITA URBAN



## ASSEMBLY AND INSTALLATION

- This luminaire must be disconnected before insulation resistance testing of the lighting circuit
- Suitable for use with 220-240V AC power supplies
- Ensure outdoor connections are made to meet IP66 rating





Tech Help Line

UK - 0330 0249 279  
Non UK - +44 (0)1952 238 100  
Supplied by LUCECO  
Stafford Park 1, Telford, Shropshire,  
England, TF3 3BD

Visit our website at [www.luceco.com](http://www.luceco.com)

Kingfisher Lighting

UK - 0330 0249 279  
Non UK - +44 (0)1952 238 100  
Ratcliff Way,  
Crown Farm Business Park  
Nottinghamshire, NG19 0FS, UK

Visit our website at [www.kingfisherlighting.com](http://www.kingfisherlighting.com)

Kontakt

UK - 0330 0249 279  
Non UK - +49 40 89066 878 - 29  
Geliefert von Luceco GmbH  
Holstenplatz 20b,  
22765 Hamburg DEUTSCHLAND

Besuchen Sie uns auf [www.luceco.de](http://www.luceco.de)

Servicio de asistencia telefónica

UK - 0330 0249 279  
Non UK - +34 93 829 55 74  
[EU] Luceco SE  
C/Bohinadora 1-5 08302 Mataró  
Barcelona, Spain

Visite nuestra web en [www.luceco.com](http://www.luceco.com)

Assistenza tecnica telefonica

UK - 0330 0249 279  
Non UK - +39 0434 1696795  
Fornito da BG Electrical Ltd Nexus  
Italia, Via Amman 10 33170  
Pordenone, Italy

Visitate il nostro sito [www.luceco.com](http://www.luceco.com)