

TEMPUS SURFACE EMERGENCY DOWNLIGHT



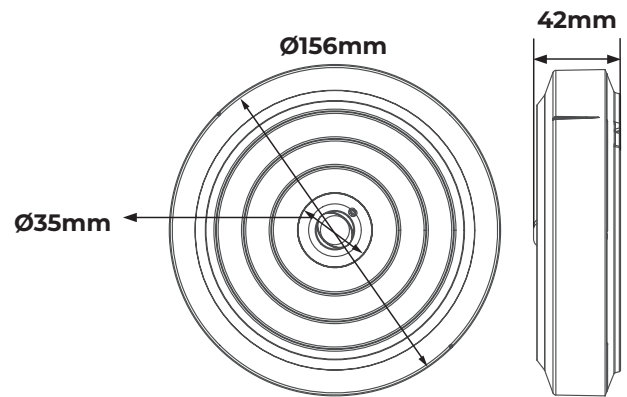
Product Features

- Non-maintained emergency downlight
- Surface mount luminaire suitable for plasterboard or solid ceilings
- Installation via rear cable entry
- Open area or corridor optic options to suit all applications



CAT NO.	OPTIC	LUMINAIRE LUMENS	WATTAGE
LEMDSWO	Open area	120	1W
LEMDSWC	Corridor	120	1W

Product Drawing



LEMDSWO Spacings

	HEIGHT	DISTANCE FROM WALL	SPACING
LEMWO			
OPEN AREA - 0.5 Lux	2.5	5.4	9.6
	3	5	11.2
	4	1.5	11.8

LEMDSWC Spacings

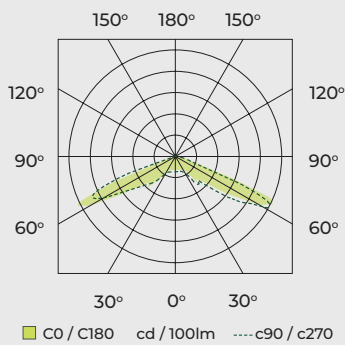
	HEIGHT	DISTANCE FROM WALL	SPACING
LEMWC			
ESCAPE ROUTE - 1 LUX (BASED ON A 2M WIDTH)	2.5	5	17
	3	5.2	17.5
	4	3.5	13

CAT NO.	WEIGHT (kg)	CRI	FREQUENCY (Hz)	IK RATING	BATTERY TYPE	BATTERY CAPACITY	TEMP RANGE (°C)	AMBIENT TEMP RATED LIFE (°C)
LEMDSWO	0.26	>70	50-60	IK04	Li-Ion 3.7V	2200mAh	0- +25	25
LEMDSWC	0.26	>70	50-60	IK04	Li-Ion 3.7V	2200mAh	0- +25	25

LEMDSWO Luminaire Performance

Light Output Ratio: 100%
 Luminaire Efficacy: 100 lm/W
 Light Distribution: A20+98.8%+1.2%
 CIE Flux Codes: 16 57 99 99 100
 UGR 4H 8H
 (20%, 50%, 70%) C0 / C90: 39.1 / 39.2

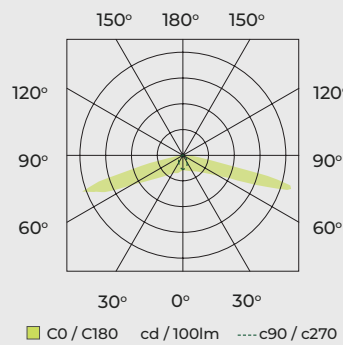
Luminous Intensity



LEMDSWC Luminaire Performance

Light Output Ratio: 100%
 Luminaire Efficacy: 100lm/W
 Light Distribution: A20+98.4%+1.6%
 CIE Flux Codes: 34 64 96 98 100
 UGR 4H 8H
 (20%, 50%, 70%) C0 / C90: 48.2 / 27.9

Luminous Intensity



STANDARD	DESCRIPTION
60598-1	Luminaires – General requirements
60598-2-22	Luminaires – Emergency
61000-3-2	Electromagnetic compatibility (EMC) - Part 3-2: Limits – for harmonic current emissions
61000-3-3	Lamp controlgear – Part 1: General and safety requirements
61547	Equipment for general lighting purposes – EMC immunity requirements
55015	Limits and methods of measurement of radio disturbance characteristics of electrical lighting and similar equipment



LUCECO

This luminaire contains built-in LED lamps.

A++
A+
A
B
C
D
E

} LED

X

The lamps cannot be changed in the luminaire.

874/2012