

DECORATIVE EXIT BLADE

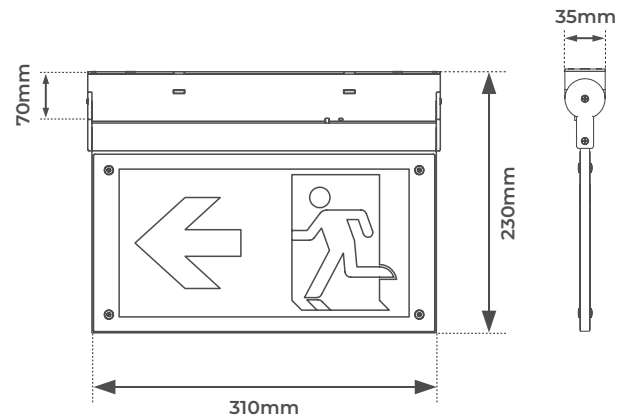
Product Features

- Maintained emergency exit blade with ceiling or wall mounting as standard
- Recessed and suspended mounted options via accessories
- Polycarbonate body with double sided acrylic legend



CAT NO.	TYPE	WATTAGE	LEGEND DIRECTION
LEMDEBM3	Maintained	3W	Up
LEMDEBM3EST	Self-Test	3W	Up
LEMDEBM3EDA	DALI	3W	Up
LEMDEBM3DA	Maintained	3W	Down
LEMDEBM3DAEST	Self-Test	3W	Down
LEMDEBM3DAEDA	DALI	3W	Down
LEMDEBM3RLA	Maintained	3W	Right/Left
LEMDEBM3RLAEST	Self-Test	3W	Right/Left
LEMDEBM3RLADA	DALI	3W	Right/Left

Product Drawing



Product Accessories

CAT NO.	DESCRIPTION
LEMDEBRC	Recessing Frame
LWSK415	1.5 Metre Suspension Kit

CAT NO.	WEIGHT(Kg)	CRI	FREQUENCY (Hz)	IK RATING	BATTERY TYPE	BATTERY CAPACITY	TEMP RANGE (°C)	AMBIENT TEMP RATED LIFE (°C)
LEMDEBM3	0.83	≥80	50-60hz	IK04	Ni-Cd 3.6V	900mAh	-5 to +25	25
LEMDEBM3DA	0.83	≥80	50-60hz	IK04	Ni-Cd 3.6V	900mAh	-5 to +25	25
LEMDEBM3RLA	0.83	≥80	50-60hz	IK04	Ni-Cd 3.6V	900mAh	-5 to +25	25

STANDARD	DESCRIPTION
60598-1	Luminaire – General requirements
60598-2-22	Luminaire – Emergency
61000-3-2	Electromagnetic compatibility (EMC) - Part 3-2: Limits – for harmonic current emissions
61000-3-3	Lamp controlgear – Part 1: General and safety requirements
61547	Equipment for general lighting purposes – EMC immunity requirements
55015	Limits and methods of measurement of radio disturbance characteristics of electrical lighting and similar equipment

LUCECO

This luminaire contains built-in LED lamps.

A++
A+
A
C
D
E

} LED

X

The lamps cannot be changed in the luminaire.

874/2012

