

TEMPUS MINI EMERGENCY BULKHEAD

Product Features

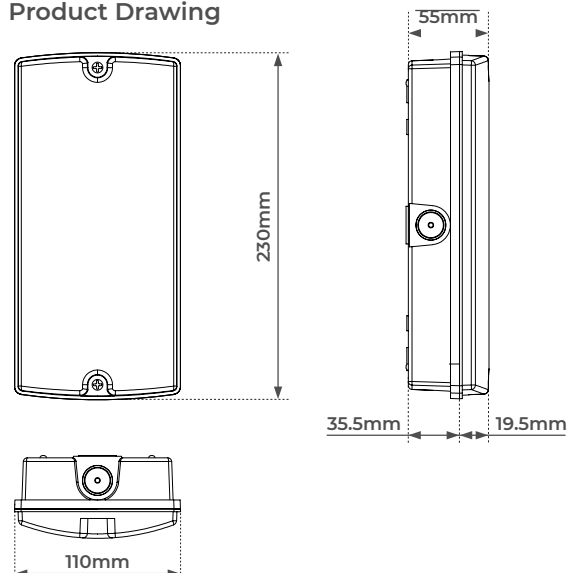
- Compact design surface mounted emergency bulkhead suitable for maintained or non-maintained use
- Polycarbonate construction with clear diffuser
- Two screw diffuser design with rear and side cable entry points
- Supplied with self adhesive legend kit, weatherproof cable gland and fixing accessories



CAT NO.	TYPE	LUMINAIRE LUMENS	WATTAGE
LEMIBKM3	Standard	120	3W
LEMIBKEST	Self-Test	120	3W

	HEIGHT	AXIAL DISTANCE FROM WALL	AXIAL SPACING	TRANSVERSE SPACING	TRANSVERSE SPACING FROM WALL
OPEN AREA	2.5	2	7.8	8.8	2
- 0.5 LUX	3	2	8.2	9.4	2
	4	2	9	10	2
ESCAPE ROUTE	2.5	-	-	8	2
- 1 LUX	3	-	-	8.5	2
(Based on 2m width)	4	-	-	8.8	2

Product Drawing




CAT NO.	WEIGHT (Kg)	CRI	FREQUENCY (Hz)	IK RATING	BATTERY TYPE	BATTERY CAPACITY	TEMP RANGE (°C)	AMBIENT TEMP RATED LIFE (°C)
LEMIBKM3	0.47	≥80	50-60	IK08	Ni-Cd 3.6V	1500mA	0 - +40	25


STANDARD	DESCRIPTION
60598-1	Luminaires – General requirements
60598-2-22	Luminaires – Emergency
61000-3-2	Electromagnetic compatibility (EMC) - Part 3-2: Limits – for harmonic current emissions
61000-3-3	Lamp controlgear – Part 1: General and safety requirements
61547	Equipment for general lighting purposes – EMC immunity requirements
55015	Limits and methods of measurement of radio disturbance characteristics of electrical lighting and similar equipment



LUCECO



This luminaire contains built-in LED lamps.



} LED

The lamps cannot be changed in the luminaire.

874/2012
