

## CASTRA PIR SECURITY FLOODLIGHT

### WiFi CONTROLLED

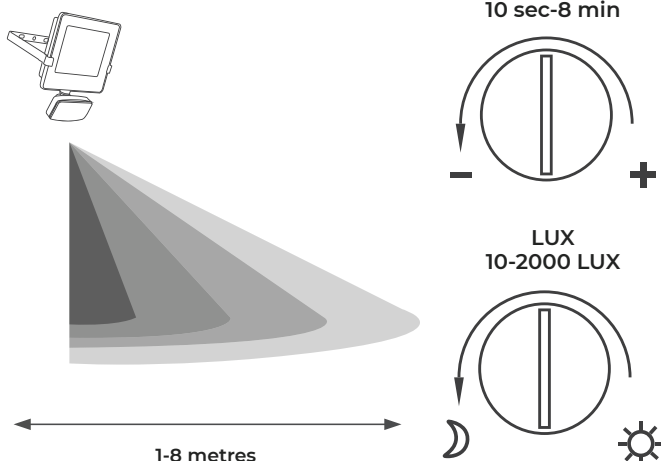
#### Product Features

- Intelligent Smart Meshing
- Reliable, does not overload WiFi network
- Operate using your home WiFi network on 2.4GHz - no Hub required
- Self-healing for improved reliability
- Adjustable Smart PIR setting: Time, Lux, Sensitivity
- Override function for dusk till dawn operation
- Group and control Luceco Smart lighting together or individually via voice command or the app
- Communicates\* beyond WiFi router perimeter  
\*must have other lighting devices in range connected to WiFi

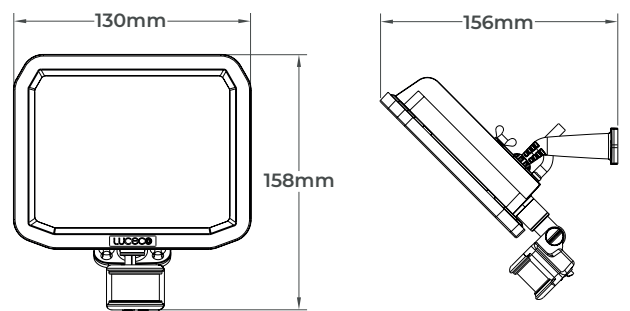
<b>2000 Lumens</b>	<b>IP65 Rating</b>	<b>5000K NEUTRAL WHITE</b>	<b>BLACK FINISH</b>
<b>220-240 Volt</b>	<b>105° Beam Angle</b>	<b>30K Hours</b>	<b>3 YEAR Warranty</b>

CAT NO.	TEMPERATURE	LUMINAIRE LUMENS	WATTAGE
LSMFSP20B150	5000K	2000lm	20-200W

#### PIR Function



#### Product Drawing





CAT NO.	WEIGHT (kg)	LLM/W	CRI	FREQUENCY (Hz)	IK RATING	TEMP RANGE (°C)	AMBIENT TEMP RATED LIFE (°C)	L/B RATED LIFE
LSMFSP20B150	0.498	120	>80	50-60	IK08	-20 to +25	25	L70 / B50

STANDARD	DESCRIPTION
60598-1	Luminaires – General requirements
60598-2-5	Luminaires - Floodlights
61000-3-2	Electromagnetic compatibility (EMC) - Part 3-2: Limits - for harmonic current emissions
61000-3-3	Lamp controlgear - Part 1: General and safety requirements
61547	Equipment for general lighting purposes - EMC immunity requirements
55015	Limits and methods of measurement of radio disturbance characteristics of electrical lighting and similar equipment



**Luceco**  
LSMFSP20B150-05

A	▶	
B	▶	
C	▶	
D	▶	
E	▶	◀
F	▶	
G	▶	

**20**  
kWh/1000h

2019/2015