



Technical Data

Weatherproof 13 Amp Large Socket Outlet

Brief product description:

IP rated accessories designed to protect against ingress from water jets and dust, with durable seals that maintain integrity and a robust polycarbonate housing for high impact resistance which will not crack or fade, ensuring longevity of life.

Features:

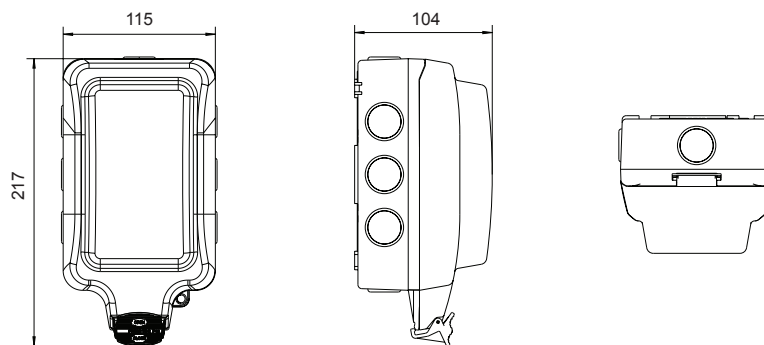
- IP66 rated when in use
- Cover will stay open to allow for easy access to socket
- Designed to fit large plug types, transformers and adaptors
- Adjustable socket position - top, middle, bottom
- Multiple gland entry positions: 8 versatile entry options, with M25 capability with an easy push out blank plug design. 1 drill out entry 20/25mm in rear face

Product Images



WP23L

Line Diagrams



WP23L



Weatherproof 13 Amp Large Socket Outlet

Technical Specifications

Standard(s)	BS 1363-2:2016+A1:2018	
Rating	13 Amp 250V AC	
Switch Type	Single pole	
Contact Gap	3.0mm minimum	
Terminal Capacity	3 x 2.5mm ² 3 x 4mm ² 2 x 6.0mm ²	
IP Rating	IP66	
RoHS Directive	Yes	
WEEE Directive	Yes	
Number of cable entries	8 x 20mm. 3 in each of the 2 sides and 1 in each of the top and bottom faces. 1 drill out entry 20/25mm in rear face	

Packaging Information

Cat No.	Description	Packaging Type			Pack Quantity			Barcode		
		Product	Inner Box	Outer Box	Each	Inner Box	Outer Box	Individual	Inner Box	Outer Box
WP23L	13A Unswitched Large Socket	Printed Box	/	Carton	1	/	10	5050765043212	/	5050765044943

Weights & Dimensions

Cat No.	Description	Dimensions (H x W x D) cm			Weight (kg)			CBM (m ³)
		Unpacked Product	Packed Product	Outer Box	Unpacked Product	Packed Product	Outer Box	Outer Box
WP23L	13A Unswitched Large Socket	21.7 x 11.5 x 10.4	24.2 x 12.2 x 11	26.1 x 25.3 x 56.3	0.44	0.54	5.78	0.03718