

CONTOUR SUSPENDED

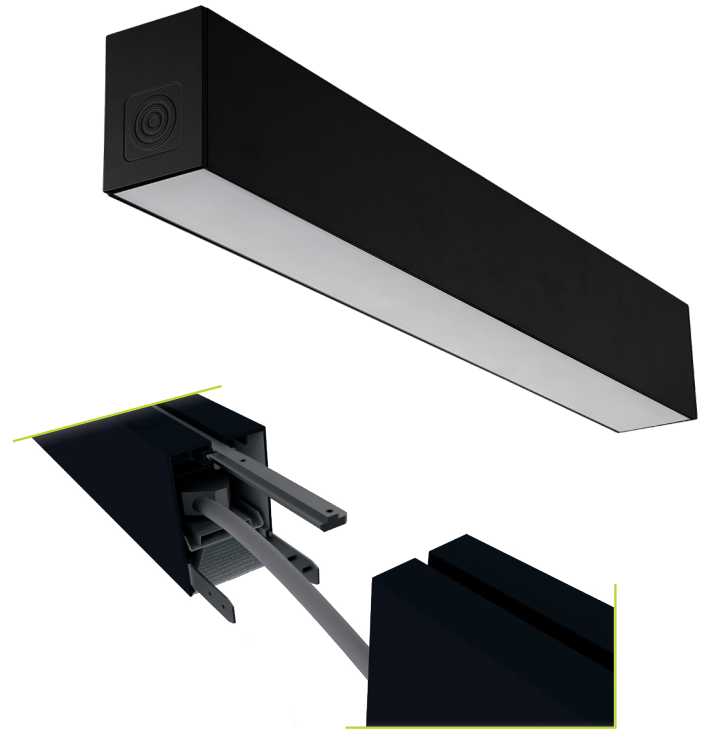
Product Features

- Continuous light system with connectable modules offered in 600mm, 1200mm, 1500mm & 1800mm and illuminated connectors
- Premium aluminium extrusion with high quality polycarbonate diffuser
- Opal diffuser, micro-prism & asymmetric optic distributions available
- Suspension mounted via 1.5m suspension kit, plug and play wiring for continuous connection

Mechanical & Electrical Connectors

LCOCC – Continuous Wiring Connector (1 required for each electrical connection)

LCOFB – Continuous Fixing Bracket (1 required for each luminaire)



| CAT NO. | DRIVER | LENGTH INC. END CAPS (mm) | LENGTH EXCL. END CAPS (mm) | LUMINAIRE LUMENS | WATTAGE | EFFICACY Llm/cW |
|---------------|------------------------------|---------------------------|----------------------------|------------------|---------|-----------------|
| LCO06BO06S40 | Fixed Output | 571 | 565 | 600 | 6W | 100 |
| LCO06BO06D40 | Digital Dimmable | 571 | 565 | 600 | 6W | 100 |
| LCO12BO12S40 | Fixed Output | 1132 | 1126 | 1200 | 11W | 104 |
| LCO12BO12E40 | Fixed Output + Emergency | 1132 | 1126 | 1200 | 11W | 104 |
| LCO12BO12D40 | Digital Dimmable | 1132 | 1126 | 1200 | 11W | 104 |
| LCO12BO12ED40 | Digital Dimmable + Emergency | 1132 | 1126 | 1200 | 11W | 104 |
| LCO12BO24S40 | Fixed Output | 1132 | 1126 | 2400 | 23W | 105 |
| LCO12BO24E40 | Fixed Output + Emergency | 1132 | 1126 | 2400 | 23W | 114 |
| LCO12BO24D40 | Digital Dimmable | 1132 | 1126 | 2400 | 23W | 114 |
| LCO12BO24ED40 | Digital Dimmable + Emergency | 1132 | 1126 | 2400 | 23W | 114 |
| LCO15BO15S40 | Fixed Output | 1412 | 1406 | 1500 | 14W | 114 |
| LCO15BO15E40 | Fixed Output + Emergency | 1412 | 1406 | 1500 | 14W | 114 |
| LCO15BO15D40 | Digital Dimmable | 1412 | 1406 | 1500 | 14W | 114 |
| LCO15BO15ED40 | Digital Dimmable + Emergency | 1412 | 1406 | 1500 | 14W | 114 |
| LCO15BO30S40 | Digital Dimmable | 1412 | 1406 | 3000 | 28W | 111 |
| LCO15BO30E40 | Fixed Output + Emergency | 1412 | 1406 | 3000 | 28W | 111 |
| LCO15BO30D40 | Digital Dimmable | 1412 | 1406 | 3000 | 28W | 111 |
| LCO15BO30ED40 | Digital Dimmable + Emergency | 1412 | 1406 | 3000 | 28W | 111 |
| LCO18BO18S40 | Fixed Output | 1693 | 1687 | 1800 | 17W | 106 |
| LCO18BO18E40 | Fixed Output + Emergency | 1693 | 1687 | 1800 | 17W | 106 |
| LCO18BO18D40 | Digital Dimmable | 1693 | 1687 | 1800 | 17W | 106 |
| LCO18BO18ED40 | Digital Dimmable + Emergency | 1693 | 1687 | 1800 | 17W | 106 |
| LCO18BO36S40 | Fixed Output | 1693 | 1687 | 3600 | 34W | 123 |
| LCO18BO36E40 | Fixed Output + Emergency | 1693 | 1687 | 3600 | 34W | 123 |
| LCO18BO36D40 | Digital Dimmable | 1693 | 1687 | 3600 | 34W | 123 |
| LCO18BO36ED40 | Digital Dimmable + Emergency | 1693 | 1687 | 3600 | 34W | 123 |

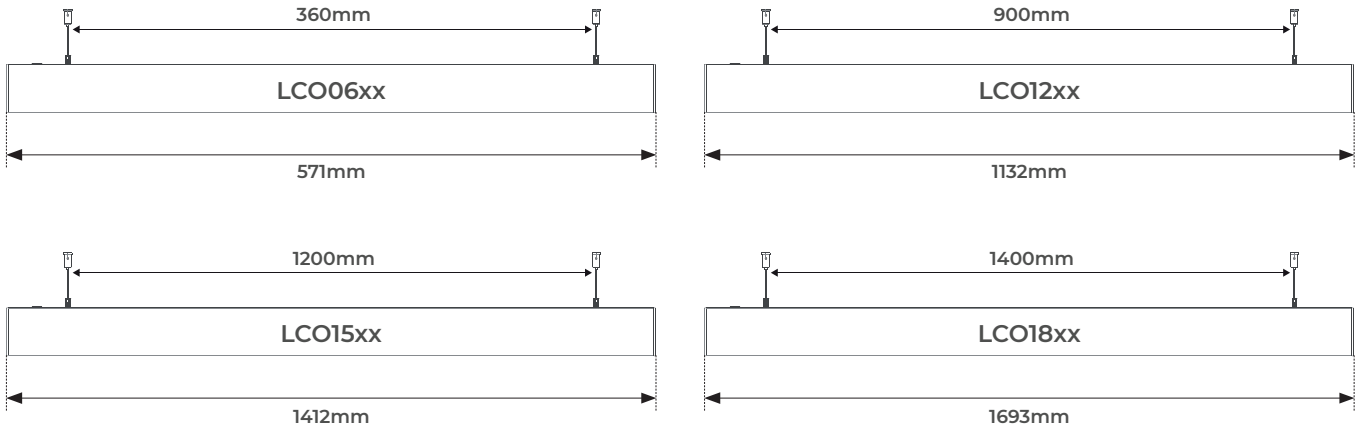
PRODUCT OPTIONS

| | |
|--------------------------------------|--|
| Lite IP Connectivity | Insert W , eg. LCO15BO15 W 40 |
| Lite IP Connectivity with PIR Sensor | Insert W , eg. LCO15BO15 W 40 PIR |

To Specify:

Suspended linear LED lighting system with efficacy up to 109Llm/cW. Precision extruded aluminium modules with polycarbonate opal or microprism diffusers. Provides standalone or continuous smooth lines or angles of light.

Suspension Fixing Centres



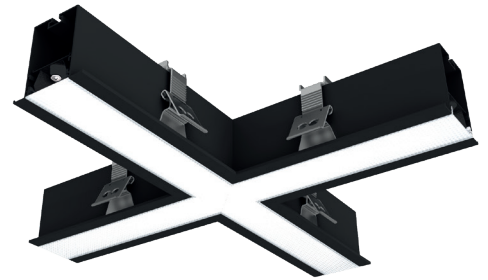
CONNECTORS



LCO9CBO06S40



LCOTCBO09S40



LCOXCBO12S40

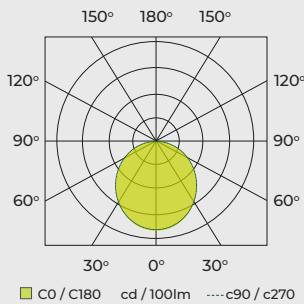
| CAT NO. | DRIVER | LENGTH INCL. END CAPS (mm) | LENGTH EXCL. END CAPS (mm) | HEIGHT (mm) | WIDTH (mm) | LUMINAIRE LUMENS | WATTAGE | EFFICACY Llm/cW |
|----------------------|------------------|----------------------------|----------------------------|-------------|------------|------------------|---------|-----------------|
| 90° Connector | | | | | | | | |
| LCO9CBO06S40 | Fixed Output | 314 | 314 | 84 | 60 | 600 | 6W | 106 |
| LCO9CBO06D40 | Digital Dimmable | 314 | 314 | 84 | 60 | 600 | 6W | 106 |
| LCO9CBO12S40 | Fixed Output | 314 | 314 | 84 | 60 | 1200 | 11W | 106 |
| LCO9CBO12D40 | Digital Dimmable | 314 | 314 | 84 | 60 | 1200 | 11W | 106 |
| T Connector | | | | | | | | |
| LCOTCBO09S40 | Fixed Output | 568 | 314 | 84 | 60 | 900 | 9W | 100 |
| LCOTCBO09D40 | Digital Dimmable | 568 | 314 | 84 | 60 | 900 | 9W | 100 |
| LCOTCBO18S40 | Fixed Output | 568 | 314 | 84 | 60 | 1800 | 17W | 106 |
| LCOTCBO18D40 | Digital Dimmable | 568 | 314 | 84 | 60 | 1800 | 17W | 106 |
| X Connector | | | | | | | | |
| LCOXCBO12S40 | Fixed Output | 568 | 568 | 84 | 60 | 1200 | 12W | 100 |
| LCOXCBO12D40 | Digital Dimmable | 568 | 568 | 84 | 60 | 1200 | 12W | 100 |
| LCOXCBO24S40 | Fixed Output | 568 | 568 | 84 | 60 | 2400 | 22W | 109 |
| LCOXCBO24D40 | Digital Dimmable | 568 | 568 | 84 | 60 | 2400 | 22W | 109 |

LCO12BO24S40

Luminaire Performance

Light Output Ratio: 100%
 Luminaire Efficacy: 104.35lm/W
 Light Distribution: A40 \pm 98.9% \pm 1.1%
 CIE Flux Codes: 47 78 95 99 100
 UGR 4H 8H
 (20%, 50%, 70%) CO / C90: 25.8 / 25.3

Luminous Intensity

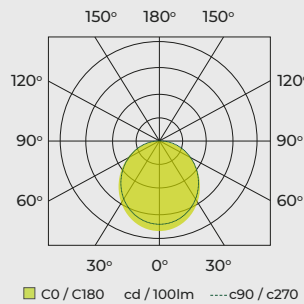


LCO15BO30S40

Luminaire Performance

Light Output Ratio: 100%
 Luminaire Efficacy: 107.14lm/W
 Light Distribution: A40 \pm 98.3% \pm 1.7%
 CIE Flux Codes: 46 77 94 98 100
 UGR 4H 8H
 (20%, 50%, 70%) CO / C90: 27.7 / 25.2

Luminous Intensity

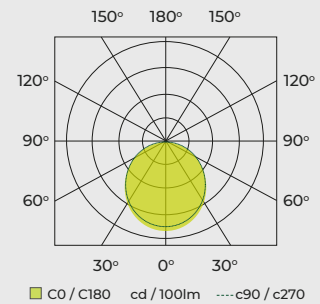


LCO18BO36S40

Luminaire Performance

Light Output Ratio: 100%
 Luminaire Efficacy: 105.88lm/W
 Light Distribution: A40 \pm 98.5% \pm 1.5%
 CIE Flux Codes: 46 77 94 98 100
 UGR 4H 8H
 (20%, 50%, 70%) CO / C90: 27.3 / 25.4

Luminous Intensity



| CAT NO. | WEIGHT (kg) | L FIXING CENTRES (mm) | CRI | SDCM | UGR | IK RATING | FREQUENCY (Hz) | TEMP RANGE (°C) | AMBIENT TEMP RATED LIFE (°C) | L/B RATED LIFE |
|--------------|-------------|-----------------------|-----|------|-----|-----------|----------------|-----------------|------------------------------|----------------|
| LCO06BO06S40 | 1.71 | 360 | >80 | <3 | <23 | IK04 | 50-60 | -20 - +30 | 25 | L80/B10 |
| LCO06BO06D40 | 1.81 | 360 | >80 | <3 | <23 | IK04 | 50-60 | -20 - +30 | 25 | L80/B10 |
| LCO12BO12S40 | 3.05 | 900 | >80 | <3 | <23 | IK04 | 50-60 | -20 - +30 | 25 | L80/B10 |
| LCO12BO12E40 | 3.35 | 900 | >80 | <3 | <23 | IK04 | 50-60 | 0 - +30 | 25 | L80/B10 |
| LCO12BO12D40 | 3.15 | 900 | >80 | <3 | <23 | IK04 | 50-60 | -20 - +30 | 25 | L80/B10 |
| LCO12BO24S40 | 3.104 | 900 | >80 | <3 | <23 | IK04 | 50-60 | -20 - +30 | 25 | L80/B10 |
| LCO12BO24E40 | 3.404 | 900 | >80 | <3 | <23 | IK04 | 50-60 | 0 - +30 | 25 | L80/B10 |
| LCO12BO24D40 | 3.204 | 900 | >80 | <3 | <23 | IK04 | 50-60 | -20 - +30 | 25 | L80/B10 |
| LCO15BO15S40 | 3.692 | 1200 | >80 | <3 | <26 | IK04 | 50-60 | -20 - +30 | 25 | L80/B10 |
| LCO15BO15E40 | 3.992 | 1200 | >80 | <3 | <26 | IK04 | 50-60 | 0 - +30 | 25 | L80/B10 |
| LCO15BO15D40 | 3.792 | 1200 | >80 | <3 | <26 | IK04 | 50-60 | -20 - +30 | 25 | L80/B10 |
| LCO15BO30S40 | 3.895 | 1200 | >80 | <3 | <26 | IK04 | 50-60 | -20 - +30 | 25 | L80/B10 |
| LCO15BO30E40 | 4.195 | 1200 | >80 | <3 | <26 | IK04 | 50-60 | 0 - +30 | 25 | L80/B10 |
| LCO15BO30D40 | 3.995 | 1200 | >80 | <3 | <26 | IK04 | 50-60 | -20 - +30 | 25 | L80/B10 |
| LCO18BO18S40 | 4.32 | 1400 | >80 | <3 | <25 | IK04 | 50-60 | -20 - +30 | 25 | L80/B10 |
| LCO18BO18E40 | 4.62 | 1400 | >80 | <3 | <25 | IK04 | 50-60 | 0 - +30 | 25 | L80/B10 |
| LCO18BO18D40 | 4.42 | 1400 | >80 | <3 | <25 | IK04 | 50-60 | -20 - +30 | 25 | L80/B10 |
| LCO18BO36S40 | 4.603 | 1400 | >80 | <3 | <25 | IK04 | 50-60 | -20 - +30 | 25 | L80/B10 |
| LCO18BO36E40 | 4.903 | 1400 | >80 | <3 | <25 | IK04 | 50-60 | 0 - +30 | 25 | L80/B10 |
| LCO18BO36D40 | 4.703 | 1400 | >80 | <3 | <25 | IK04 | 50-60 | -20 - +30 | 25 | L80/B10 |

| STANDARD | DESCRIPTION |
|---------------|---|
| EN 60598-1 | Luminaires – General requirements |
| EN 60598-2-1 | Luminaires – Fixed general purpose |
| EN 60598-2-22 | Luminaires – Emergency |
| EN 61000-3-2 | Electromagnetic compatibility (EMC) – Part 3-2: Limits - for harmonic current emissions |
| EN 61000-3-3 | Limits - Limitation of voltage changes, voltage fluctuations and flicker in public low-voltage supply systems, for equipment with rated current \leq 16 A per phase and not subject to conditional connection |
| EN 61547 | Equipment for general lighting purposes – EMC immunity requirements |
| EN 55015 | Limits and methods of measurement of radio disturbance characteristics of electrical lighting and similar equipment |

LUCECO

This luminaire contains built-in LED lamps.

A++
A+
A
C
D
E

LED

The lamps cannot be changed in the luminaire.

874/2012

