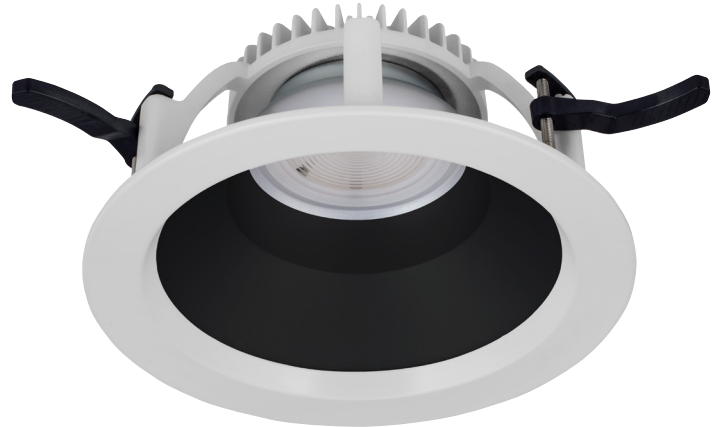


## PLATINUM DARKLIGHT

### Product Features

- High performance low glare downlight offering UGR rating of between 13 and 17
- Die-cast aluminium heat sink and bezel design provides a sturdy construction
- 1050 to 2750 lumens, efficacy of up to 115Llm/cW
- With a unique swing tab design this recessed luminaire fits into 205mm cut-out with ease
- Shallow depth removable magnetic bezel



CAT NO.	DRIVER	LUMINAIRE LUMENS	WATTAGE	EFFICACY Llm/cW
LDP20W11BS40	Fixed Output	1050	9.5W	111
LDP20W11BD40	Dimmable	1050	9.5W	111
LDP20W15BS40	Fixed Output	1500	13W	115
LDP20W15BD40	Dimmable	1500	13W	115
LDP20W21BS40	Fixed Output	2100	19W	111
LDP20W21BD40	Dimmable	2100	19W	111
LDP20W28BS40	Fixed Output	2750	26W	106
LDP20W28BD40	Dimmable	2750	26W	106

PRODUCT OPTIONS	
Remote Emergency Pack	LED3EP80
Self Test Remote Emergency Pack	LED3EP80EST
DALI Addressable Emergency Pack	LED3EP80DED

### To Specify:

Recessed high performance low glare 220mm diameter downlight with efficacy up to 115 Llm/cW. Die-cast aluminium heatsink and bezel with aluminium reflector. Unique swingtab design makes installation faster and easier.

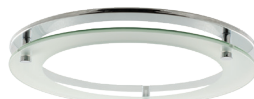
PRODUCT ACCESSORIES	
LDP20BWHM	White Bezel Accessory with Emergency Indicator
LDP20BPC	Polished Chrome Bezel Accessory
LDP20BBS	Brushed Steel Bezel Accessory
LDP20BB	Black Bezel Accessory
LDP20BWHDH	Decorative Glass Bezel Accessory, White, Dropped Halo
LDP20BWHDF	Decorative Glass Bezel Accessory, White, Frosted Glass
LDP20BWHIPF	IP65 White Bezel Accessory - Frosted Diffuser
LDP20BWHIP	IP65 White Bezel Accessory - Clear Diffuser



LDP20BWHIPF



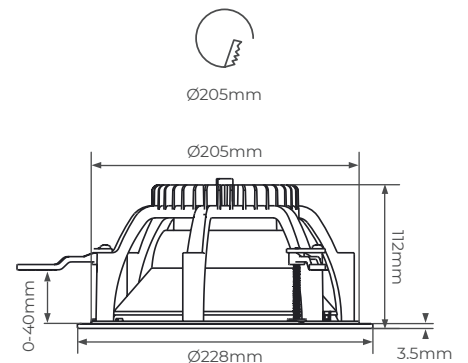
LDP20BBS



LDP20BWHDF



### Product Drawing



CAT NO.	WEIGHT (kg)	CRI	FREQUENCY (Hz)	SDCM	UGR	IK RATING	TEMP RANGE (°C)	AMBIENT TEMP RATED LIFE (°C)	L/B RATED LIFE
LDP20W11BS40	0.92	>80	50-60	<3	<14	IK07	-20 to +40	25	L80 / B10
LDP20W11BD40	1.02	>80	50-60	<3	<14	IK07	-20 to +40	25	L80 / B10
LDP20W15BS40	0.92	>80	50-60	<3	<15	IK07	-20 to +40	25	L80 / B10
LDP20W15BD40	1.02	>80	50-60	<3	<15	IK07	-20 to +40	25	L80 / B10
LDP20W21BS40	0.954	>80	50-60	<3	<16	IK07	-20 to +40	25	L80 / B10
LDP20W21BD40	1.054	>80	50-60	<3	<16	IK07	-20 to +40	25	L80 / B10
LDP20W28BS40	0.954	>80	50-60	<3	<17	IK07	-20 to +40	25	L80 / B10
LDP20W28BD40	1.054	>80	50-60	<3	<17	IK07	-20 to +40	25	L80 / B10

**LDP20S11BS40**  
**Luminaire Performance**

Light Output Ratio: 100%  
Luminaire Efficacy: 110.53 lm/W  
Light Distribution: A70 + 100%+ 0.0%  
CIE Flux Codes: 94 99 100 100 100  
UGR 4H 8H (20%, 50%, 70%) C0 / C90: 13.1 / 13.4

**Luminous Intensity**

■ C0 / C180 cd / 1000lm .....C90 / c270

**LDP20S15BS40**  
**Luminaire Performance**

Light Output Ratio: 100%  
Luminaire Efficacy: 115.38 lm/W  
Light Distribution: A70 + 100%+ 0.0%  
CIE Flux Codes: 94 99 100 100 100  
UGR 4H 8H (20%, 50%, 70%) C0 / C90: 14.4 / 14.6

**Luminous Intensity**

■ C0 / C180 cd / 1000lm .....C90 / c270

**LDP20S21BS40**  
**Luminaire Performance**

Light Output Ratio: 100%  
Luminaire Efficacy: 110.53 lm/W  
Light Distribution: A70 + 100%+ 0.0%  
CIE Flux Codes: 94 99 100 100 100  
UGR 4H 8H (20%, 50%, 70%) C0 / C90: 15.6 / 15.8

**Luminous Intensity**

■ C0 / C180 cd / 1000lm .....C90 / c270

STANDARD	DESCRIPTION
EN 60598-1	Luminaires – General requirements
EN 60598-2-2	Luminaires – Recessed
EN 60598-2-22	Luminaires – Emergency
EN 61000-3-2	Electromagnetic compatibility (EMC) – Part 3-2: Limits - for harmonic current emissions
EN 61000-3-3	Limits - Limitation of voltage changes, voltage fluctuations and flicker in public low-voltage supply systems, for equipment with rated current ≤ 16 A per phase and not subject to conditional connection
EN 61547	Equipment for general lighting purposes – EMC immunity requirements
EN 55015	Limits and methods of measurement of radio disturbance characteristics of electrical lighting and similar equipment

